

NOTICE: THIS DRAWING AND THE INFORMATION DISCLOSED ON IT ARE CONFIDENTIAL AND PROPRIETARY TO CAD TECHNOLOGIES, INC. AND MAY NOT BE DUPLICATED, REPRODUCED, USED OR DISCLOSED BY OR TO ANY PERSON OR PARTY OUTSIDE OF THE COMPANY IN ANY MANNER WITHOUT THE WRITTEN PERMISSION OF A DULY AUTHORIZED EMPLOYEE OF THE COMPANY. Copyright © 2004

REVISION HISTORY						
ZONE	REV	DESCRIPTION	ECN#	REV'D	CHK'D	DATE
	1	REVISED ITEMS 7, 9 & 15 IN B/M. ADDED WEIGHT & FLOOR CONTACT AREA	12301	CHH	BS	11/11/08

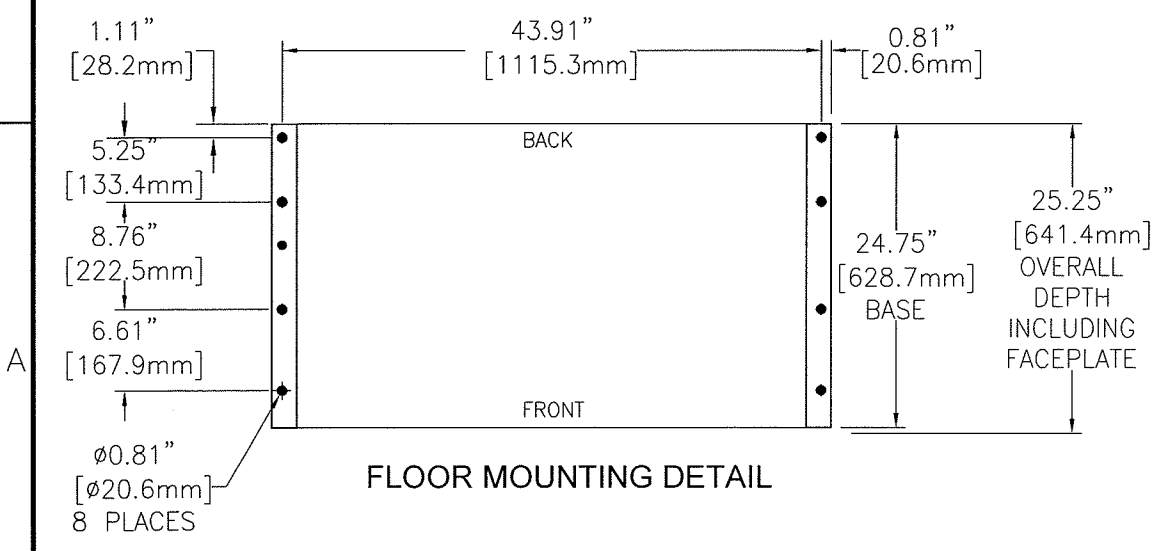
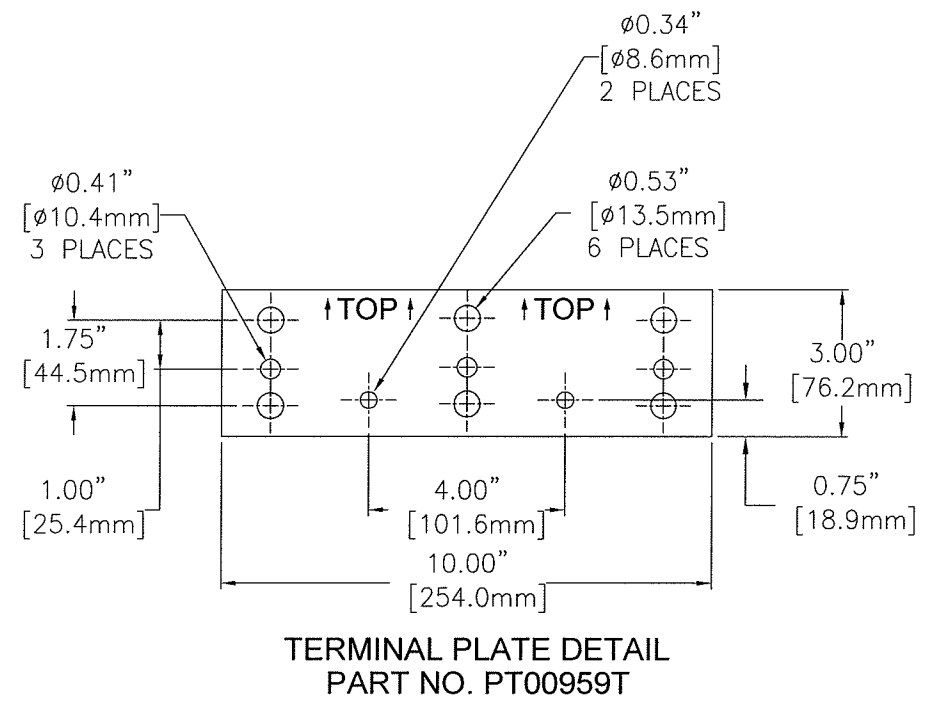
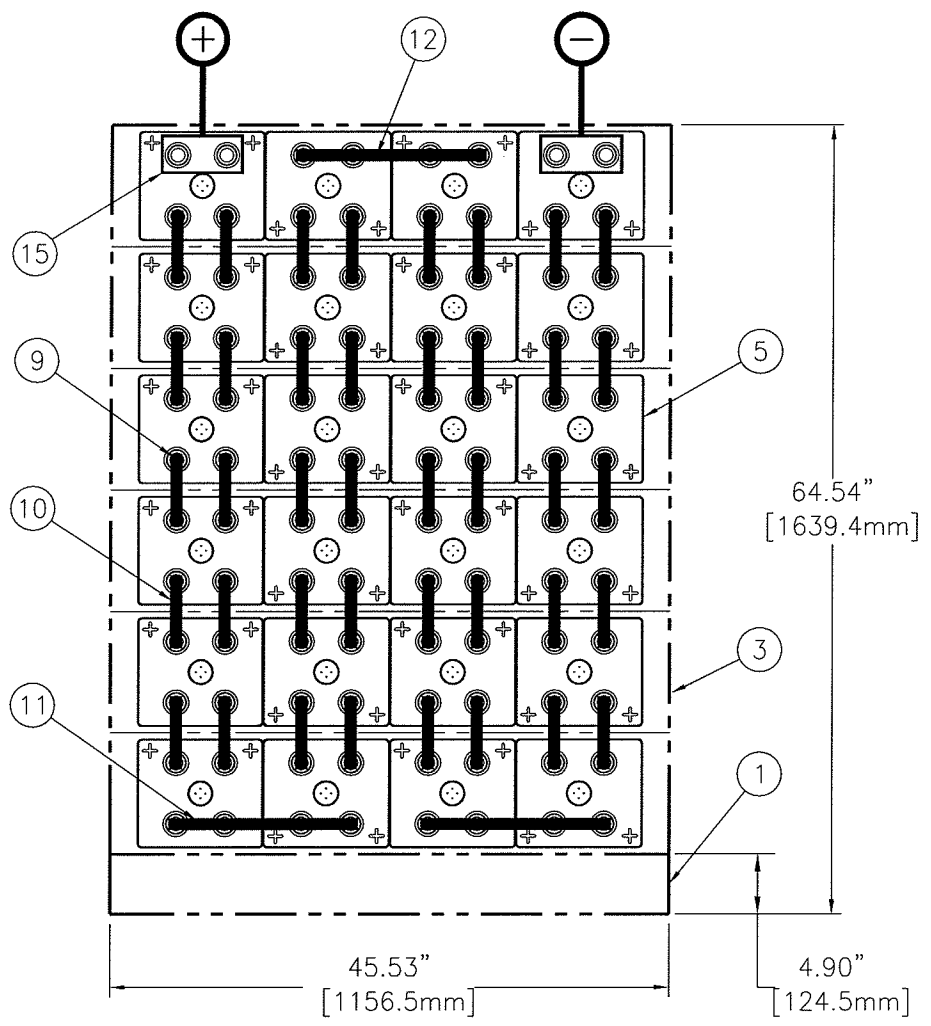
## 48 VOLT SYSTEM (24) AT-29P CELLS

APPROX. SYSTEM WEIGHT: 6,200 LBS. [2812.3 kg]  
FLOOR CONTACT AREA: 74.25 SQ. IN. [47903 mm<sup>2</sup>]



SYSTEM NO. E2946024CE01

20	1	RE04454	ACCESSORY KIT (J29536)
19			
18			
17			
16			
15	2	PT00959T	TERMINAL PLATE (M15923)
14			
13			
12	1	PK04335T	CONNECTOR 1.00 x 15.45 x 0.25
11	2	PK04334T	CONNECTOR 1.00 x 15.25 x 0.25
10	40	PK04325T	CONNECTOR 1.00 x 5.96 x 0.19
9	4	HDWR-R11	HARDWARE KIT, CONNECTOR
9.1	96	PB00327	BOLT, HEX 5/16-18 x 1.25 S.S.
9.2	96	PH01700	WASHER, FLAT S.S.
8	6	PH04006-45	FACEPLATE (K11056)
7	7	HDWR-R13	HARDWARE KIT, FACEPLATE (J29535)
5	24	CW18152	CELL (N03375)
3	6	RD04496-45G	MODULE ASSEMBLY KIT (M14111)
1	1	RD04407-45A	BASE ASSEMBLY KIT (M14028)
ITEM	QTY	PART NO.	DESCRIPTION



- NOTES:
- LOCATE POLARITY OF BATTERIES FOR PROPER ORIENTATION DURING INSTALLATION.
  - FLOOR MOUNTING (ANCHOR) BOLTS ARE NOT FURNISHED.
  - INSTALLATION ANCHOR BOLT SIZE AND TYPE ARE TO BE DETERMINED BY USER IN ACCORDANCE WITH BUILDING CODES APPLICABLE TO THE ARRANGEMENT DESCRIBED ON THIS DRAWING.
  - REFERENCE INSTALLATION MANUAL RS02044 FOR: CONNECTOR TORQUE VALUES, MODULE TO MODULE CONNECTIONS & FACEPLATE MOUNTING DETAILS.
  - CONNECTORS ARE SIZED TO LESS THAN 30mV DROP AT 572.7 AMPS (2 HOUR RATE TO 1.75 VPC).

UNLESS OTHERWISE SPECIFIED DIMENSIONS ARE IN INCHES & TOLERANCES ON:		DRAWN A. STOLTZFUS	DATE 3/13/08
X .12" ANGLES		CHECKED C.H. HOUSTON	3/26/08
THIRD ANGLE PROJECTION		APPROVED P. RALSTON	3/26/08
SEE BOM ABOVE			
PER:	SPEC:	FILE: E2946024CE01	SCALE NTS

ALL SHEETS ARE THE SAME REVISION STATUS			
<b>CAD TECHNOLOGIES, INC.</b>			
1400 UNION MEETING, BLUE BELL, PA 19422-0588			
TITLE: CONNECTION DIAGRAM 48V 4X6 AT-29P			
SIZE D	DATE CODE	DRAWING NUMBER E2946024CE01	REVISION 1
SHEET 1		OF 1	