

NOTICE: THIS DRAWING AND THE INFORMATION DISCLOSED ON IT ARE CONFIDENTIAL AND PROPRIETARY TO CAD TECHNOLOGIES, INC. AND MAY NOT BE REPRODUCED, COPIED, REPRODUCED, USED OR DISCLOSED BY OR TO ANY PERSON OR ENTITY OUTSIDE OF THE COMPANY IN ANY MANNER WITHOUT THE WRITTEN PERMISSION OF A DULY AUTHORIZED OFFICER OF THE COMPANY. Copyright © 2004

ECH#12038

REVISION HISTORY						
ZONE	REV	DESCRIPTION	ECH#	REV'D	CHK'D	DATE
	1	UPDATED BOM, ADDED WEIGHTS AND FLOOR CONTACT AREA	12307	YH	RD	12/4/08
	2	CORRECTED CONTACT AREA FROM 105 SQ. IN TO 74.25 SQ. IN.	13488	MM	RD	2/21/13

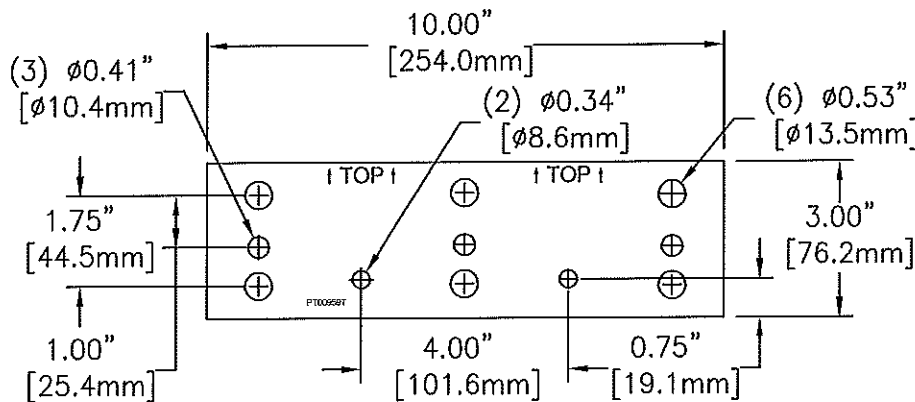
24 VOLT SYSTEM (12) AT-29P CELLS

APPROX. SYSTEM WEIGHT: 3,140 LBS. [1,424.3 kg]
FLOOR CONTACT AREA: 74.25 SQ. IN. [47,903 mm²]

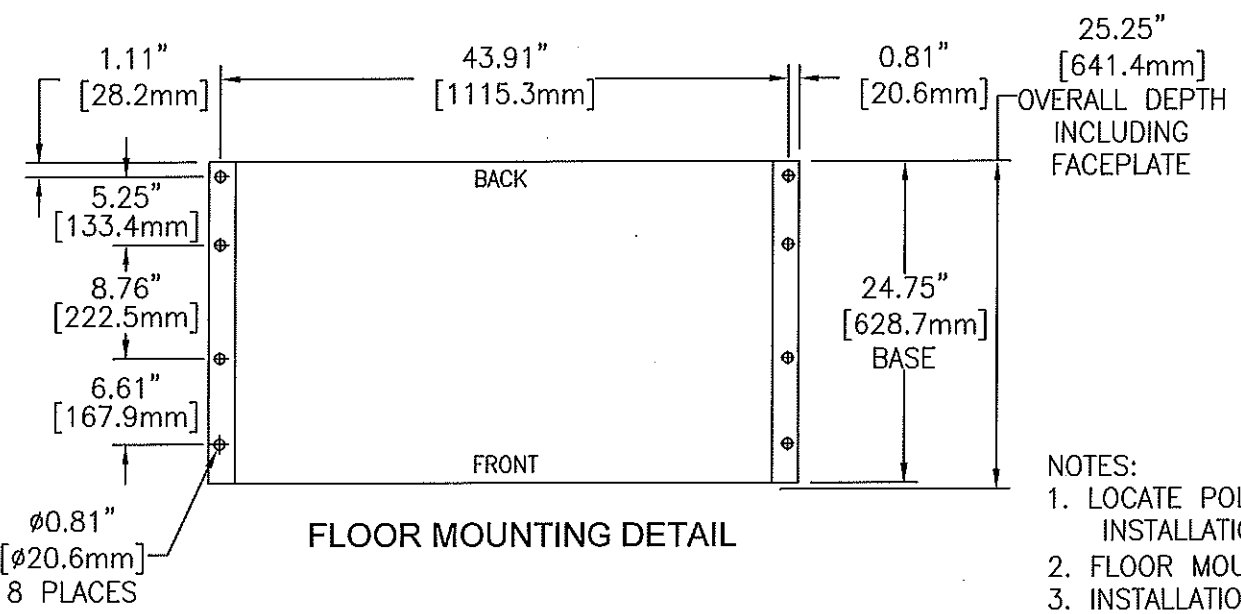
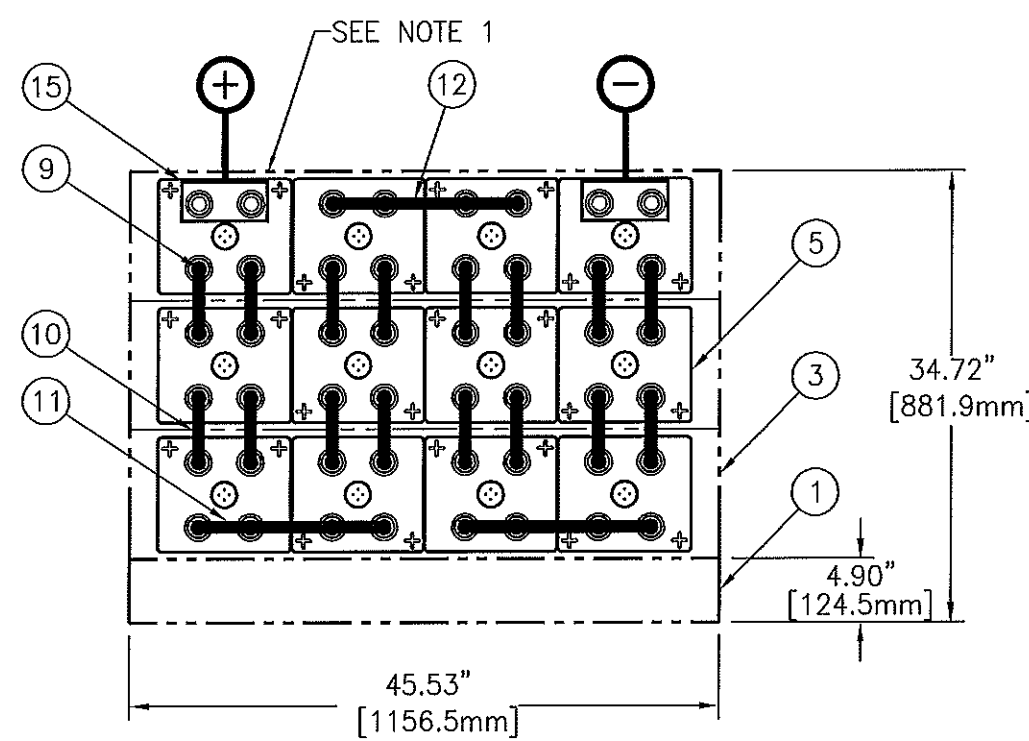


SYSTEM NO. E2943012CE01

20	1	RE04454	ACCESSORY KIT (J29536)
19			
18			
17			
16			
15	2	PT00959T	TERMINAL PLATE (M15923)
14			
13			
12	1	PK04335T	CONNECTOR 1.00 x 15.45 x 0.25
11	2	PK04334T	CONNECTOR 1.00 x 15.25 x 0.25
10	16	PK04325T	CONNECTOR 1.00 x 5.96 x 0.19
9	2	HDWR-R11	HARDWARE KIT, CONNECTOR
9.1	48	PB00327	BOLT, HEX 5/16-18 x 1.25 S.S.
9.2	48	PH01700	WASHER, FLAT S.S.
8	3	PH04006-45	FACEPLATE (K11056)
7	4	HDWR-R13	HARDWARE KIT, FACEPLATE (J29535)
5	12	CW18152	CELL (N03375)
3	3	RD04496-45G	MODULE ASSEMBLY KIT (M14111)
1	1	RD04407-45A	BASE ASSEMBLY KIT (M14028)
ITEM	QTY	PART NO.	DESCRIPTION



TERMINAL PLATE DETAIL
PART NO. PT00959T



FLOOR MOUNTING DETAIL

- NOTES:
1. LOCATE POLARITY OF BATTERIES FOR PROPER ORIENTATION DURING INSTALLATION.
 2. FLOOR MOUNTING (ANCHOR) BOLTS ARE NOT FURNISHED.
 3. INSTALLATION ANCHOR BOLT SIZE & TYPE ARE TO BE DETERMINED BY USER IN ACCORDANCE WITH BUILDING CODES APPLICABLE TO THE ARRANGEMENT DESCRIBED ON THIS DRAWING.
 4. REFERENCE INSTALLATION MANUAL RS02044 FOR: CONNECTOR TORQUE VALUES, MODULE TO MODULE CONNECTIONS & FACEPLATE MOUNTING DETAILS.
 5. CONNECTORS ARE SIZED TO LESS THAN 30mV DROP AT 572.7 AMPS (2 HOUR RATE TO 1.75 VPC).

<small>PLEASE REFER TO THE DRAWING FOR DIMENSIONS AND TOLERANCES ON ALL DIMENSIONS UNLESS OTHERWISE SPECIFIED</small> DRAWN: A. STOLTZBUS CHECKED: C.H. HOUSTON APPROVED: P. RALSTON	DATE: 3/13/09 3/26/08 3/26/08	CAD TECHNOLOGIES, INC. 1400 UNION MEETING, BLUE BELL, PA 19422-0588 www.cadtechno.com
THIS ANGLE PROJECTION: 1/2" SEE BOM ABOVE PER: SPEC:	FILE: E2943012CE01 SCALE: NTS	TITLE: CONNECTION DIAGRAM 24V 4X3 AT-29P SIZE: D DWG NO: E2943012CE01 SHEET 1 OF 1