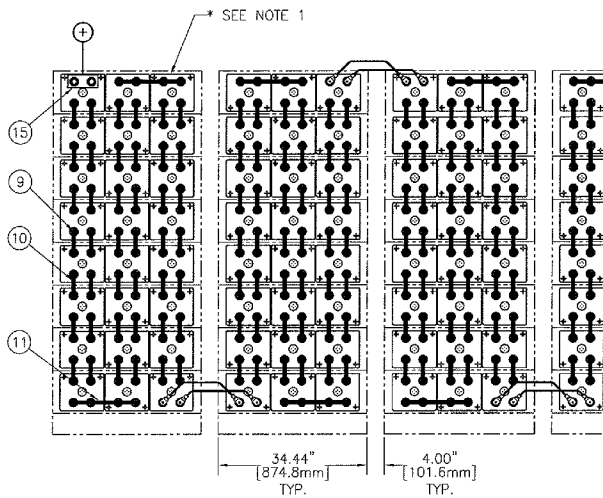
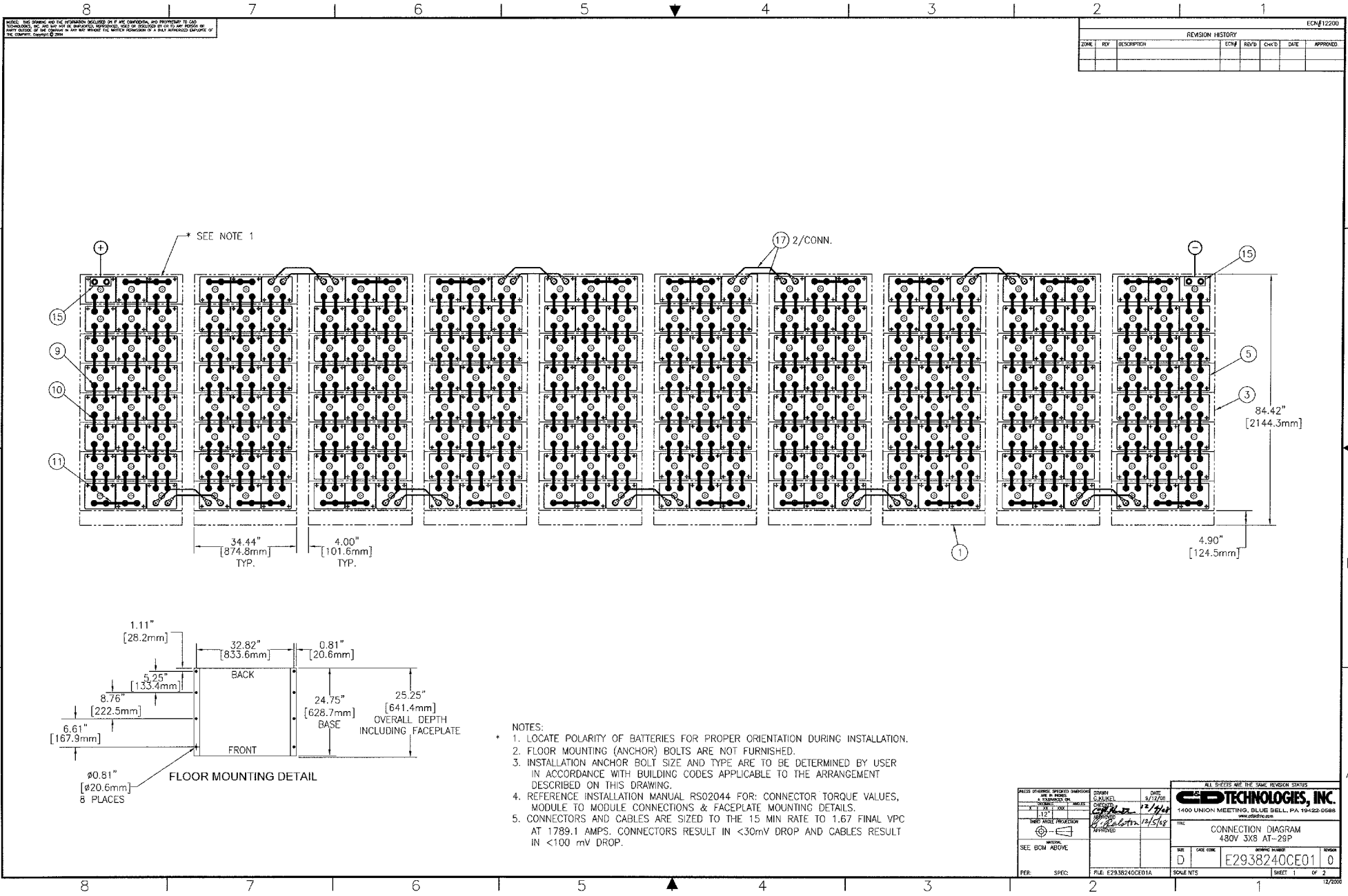


REVISION HISTORY							
ZONE	REV	DESCRIPTION	ECN#	REV'D	CHK'D	DATE	APPROVED



- NOTES:
1. LOCATE POLARITY OF BATTERIES FOR PROPER ORIENTATION DURING INSTALLATION.
  2. FLOOR MOUNTING (ANCHOR) BOLTS ARE NOT FURNISHED.
  3. INSTALLATION ANCHOR BOLT SIZE AND TYPE ARE TO BE DETERMINED BY USER IN ACCORDANCE WITH BUILDING CODES APPLICABLE TO THE ARRANGEMENT DESCRIBED ON THIS DRAWING.
  4. REFERENCE INSTALLATION MANUAL RS02044 FOR: CONNECTOR TORQUE VALUES, MODULE TO MODULE CONNECTIONS & FACEPLATE MOUNTING DETAILS.
  5. CONNECTORS AND CABLES ARE SIZED TO THE 15 MIN RATE TO 1.67 FINAL VPC AT 1789.1 AMPS. CONNECTORS RESULT IN <30mV DROP AND CABLES RESULT IN <100 mV DROP.

ALL SHEETS ARE THE SAME REVISION STATUS <b>EDTECHNOLOGIES, INC.</b> 1400 UNION MEETING, BLUE BELL, PA 19422-0588 www.edtechno.com		DATE: 9/27/08 DRAWN: S.BUNDEL CHECKED: C. [Signature] DATE: 10/15/08 APPROVED: [Signature]
TITLE: CONNECTION DIAGRAM 480V 3X8 AT-29P	SHEET: 0 OF: 2	FILE: E2938240CE01A

NOTE: THE DRAWING AND THE INFORMATION CONTAINED ON IT ARE UNCLASSIFIED AND REFERENCED BY THE TECHNOLOGIES, INC. AND MAY NOT BE RELEASED UNLESS AUTHORIZED BY OR TO ANY PORTION OF THE DRAWING OR THE COMPANY AND NOT BE REPRODUCED OR TRANSMITTED IN ANY FORM OR BY ANY MEANS, ELECTRONIC OR MECHANICAL, INCLUDING PHOTOCOPYING, RECORDING, OR BY ANY INFORMATION STORAGE AND RETRIEVAL SYSTEM. © 2004

REVISION HISTORY						
ZONE	REV	DESCRIPTION	ENGR	REV'D	CHK'D	DATE

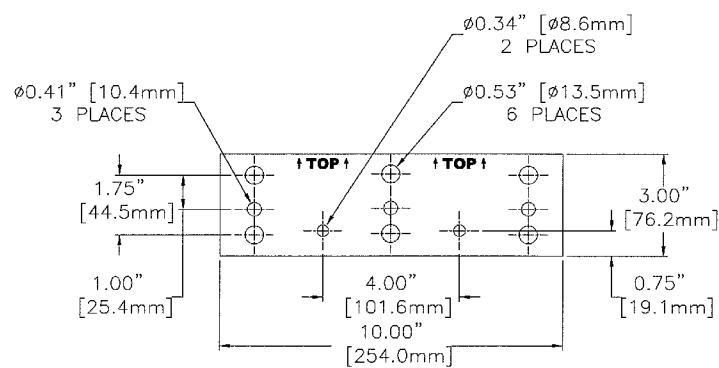
### 480 VOLT SYSTEM (240) AT-29P CELLS

APPROX. SYSTEM WEIGHT: 60,270 LBS [27338.0 kg]  
FLOOR CONTACT AREA: 742.5 SQ. IN. [479,031 mm<sup>2</sup>]



SYSTEM NO. E2938240CE01

20	1	RE04455-240	ACCESSORY KIT (J29537)
19			
18			
17	36	RA02250-21	4/0 CABLE 21" LONG
16			
15	2	PT00959T	TERMINAL PLATE (M15923)
14			
13			
12			
11	20	PK04290T	CONNECTOR 2.00 x 15.25 x 0.25
10	420	PK04097T	CONNECTOR 1.50 x 5.96 x 0.12
9	39	HDWR-R11	HARDWARE KIT, CONNECTOR
9.1	960	PB00327	BOLT, HEX 5/16-18 x 1.25 S.S.
9.2	960	PH01700	WASHER, FLAT S.S.
8	80	PH04006-34	FACEPLATE (K11056)
7	90	HDWR-R13	HARDWARE KIT, FACEPLATE (J29535)
5	240	CW18152	CELL (N03375)
3	80	RD04496P-34G	MODULE ASSEMBLY KIT (M14111)
1	10	RD04407-34A	BASE ASSEMBLY KIT (M14028)
ITEM	QTY	PART NO.	DESCRIPTION



TERMINAL PLATE DETAIL  
PART NO. PT00959T

UNLESS OTHERWISE SPECIFIED DIMENSIONS ARE IN INCHES	DATE: 9/2/05	<p>1400 UNION MEETING, BELIEF HILL, PA 15422-0588 www.cdtechno.com</p>
DESIGNED BY: [Signature]	DATE: 9/2/05	
CHECKED BY: [Signature]	DATE: 11/24/05	FILE: CONNECTION DIAGRAM 480V 3X8 AT-29P
THIRD ANGLE PROJECTION	APPROVED BY: [Signature]	SIZE: D
SEE BOM ABOVE	SCALE: NTS	SHEET NUMBER: E2938240CE01
FILE: E2938240CE01B	SCALE: NTS	SHEET 2 OF 2