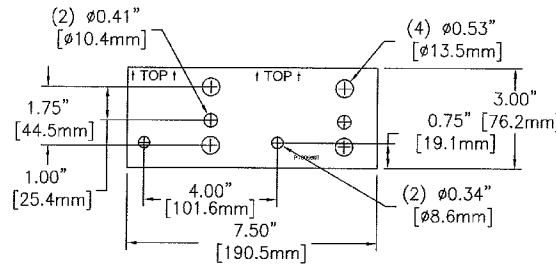
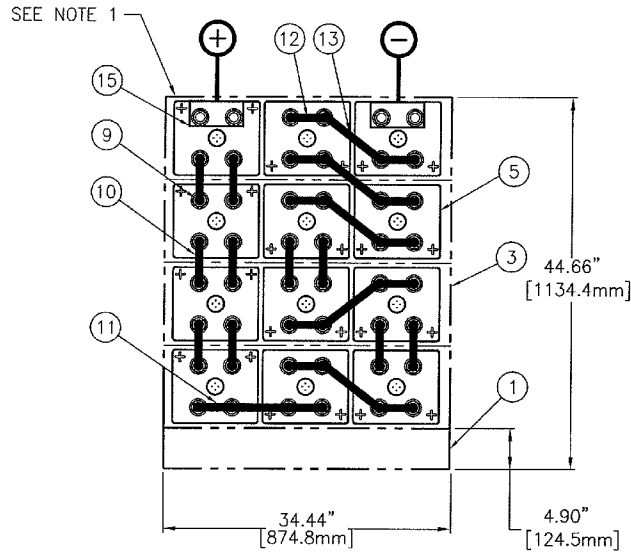


NOTE: THE DRAWING AND THE INFORMATION CONTAINED ON IT ARE CONSIDERED AND INTENDED TO BE THE PROPERTY OF THE COMPANY. IT IS NOT TO BE REPRODUCED OR TRANSMITTED IN ANY FORM OR BY ANY MEANS, ELECTRONIC OR MECHANICAL, INCLUDING PHOTOCOPYING, RECORDING, OR BY ANY INFORMATION STORAGE AND RETRIEVAL SYSTEM, WITHOUT THE WRITTEN PERMISSION OF THE COMPANY. ANY UNAUTHORIZED REPRODUCTION OR USE OF THIS DRAWING IS PROHIBITED.

REVISION HISTORY									
ZONE	REV	DESCRIPTION	ISSUED BY	APPROVED BY	WEIGHTS AND DIMENSIONS	DATE	APPROVED	DATE	APPROVED
1	1	ISSUED FROM APPROVED FLOOR CONTACT AREA	12/07	YH	KS	3/24/08	[Signature]		



TERMINAL PLATE DETAIL  
PART NO. PT00960T

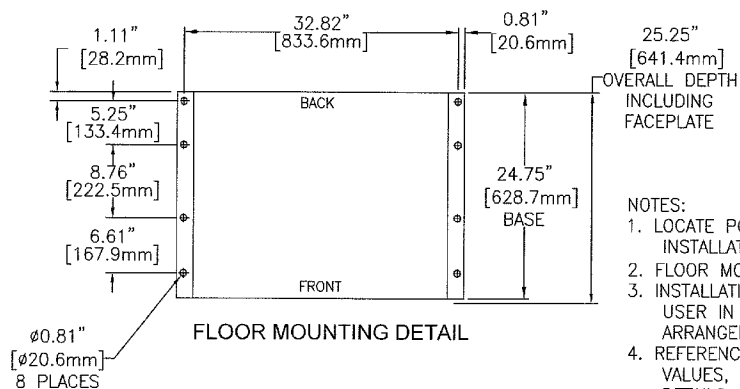
### 24 VOLT SYSTEM (12) AT-29P CELLS

APPROX. SYSTEM WEIGHT: 3050 LBS. [1383.5 kg]  
FLOOR CONTACT AREA: 74.25 SQ. IN. [47,903 mm<sup>2</sup>]



SYSTEM NO. E2934012CE01

20	1	RE04454	ACCESSORY KIT (J29536)
19			
18			
17			
16			
15	2	PT00960T	TERMINAL PLATE (M15923)
14			
13	5	PK04328T	CONNECTOR 1.00 x 8.88 x 0.19
12	10	PK04330T	CONNECTOR 1.00 x 5.00 x 0.25
11	1	PK04334T	CONNECTOR 1.00 x 15.25 x 0.25
10	10	PK04325T	CONNECTOR 1.00 x 5.96 x 0.19
9	2	HDWR-R11	HARDWARE KIT, CONNECTOR
9.1	48	PB00327	BOLT, HEX 5/16-18 x 1.25 S.S
9.2	48	PH01700	WASHER, FLAT S.S.
8	4	PH04006-34	FACEPLATE (K11056)
7	5	HDWR-R13	HARDWARE KIT, FACEPLATE (J29535)
5	12	CW18152	CELL (N03375)
3	4	RD04496-34G	MODULE ASSEMBLY KIT (M14111)
1	1	RD04407-34A	BASE ASSEMBLY KIT (M14028)
ITEM	QTY	PART NO.	DESCRIPTION



FLOOR MOUNTING DETAIL

NOTES:

1. LOCATE POLARITY OF BATTERIES FOR PROPER ORIENTATION DURING INSTALLATION.
2. FLOOR MOUNTING (ANCHOR) BOLTS ARE NOT FURNISHED.
3. INSTALLATION ANCHOR BOLT SIZE AND TYPE ARE TO BE DETERMINED BY USER IN ACCORDANCE WITH BUILDING CODES APPLICABLE TO THE ARRANGEMENT DESCRIBED ON THIS DRAWING.
4. REFERENCE INSTALLATION MANUAL RS02044 FOR: CONNECTOR TORQUE VALUES, MODULE TO MODULE CONNECTIONS & FACEPLATE MOUNTING DETAILS.
5. CONNECTORS ARE SIZED TO LESS THAN 30mV DROP AT 572.7 AMPS (2 HOUR RATE TO 1.75 VPC).

DESIGN CHECKED BY				DATE			
DESIGNED	BY	DATE	APPROVED	DATE	APPROVED	DATE	APPROVED
DESIGNED	A. STOLTZELUS	3/13/08	APPROVED	3/20/08	APPROVED	3/28/08	APPROVED
DESIGNED	C. H. HOUSTON	3/20/08	APPROVED	3/28/08	APPROVED	3/28/08	APPROVED
DESIGNED	E. HOUSTON	3/28/08	APPROVED	3/28/08	APPROVED	3/28/08	APPROVED

ALL DIMENSIONS ARE THE SAME UNLESS OTHERWISE SPECIFIED

**ED TECHNOLOGIES, INC.**  
1400 UNION STREET, BLUE BELLS, PA 19422-0508  
WWW.EDTECH.COM

CONNECTION DIAGRAM  
24V 3X4 AT-29P

SCALE: NTS

FILE: E2934012CE01

SHEET 1 OF 1