

REVISION HISTORY						
ZONE	REV	DESCRIPTION	ENGR	REV'D	CHK'D	DATE

24 VOLT SYSTEM (12) AT-27P CELLS

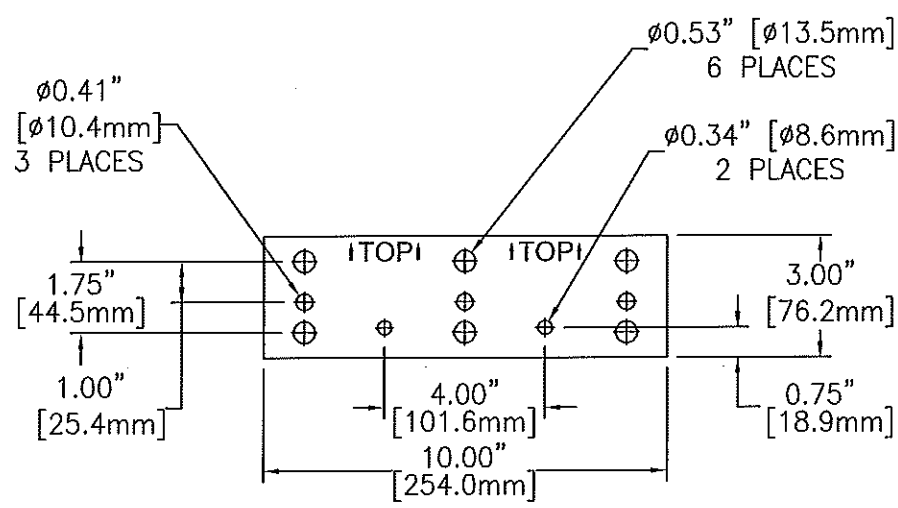
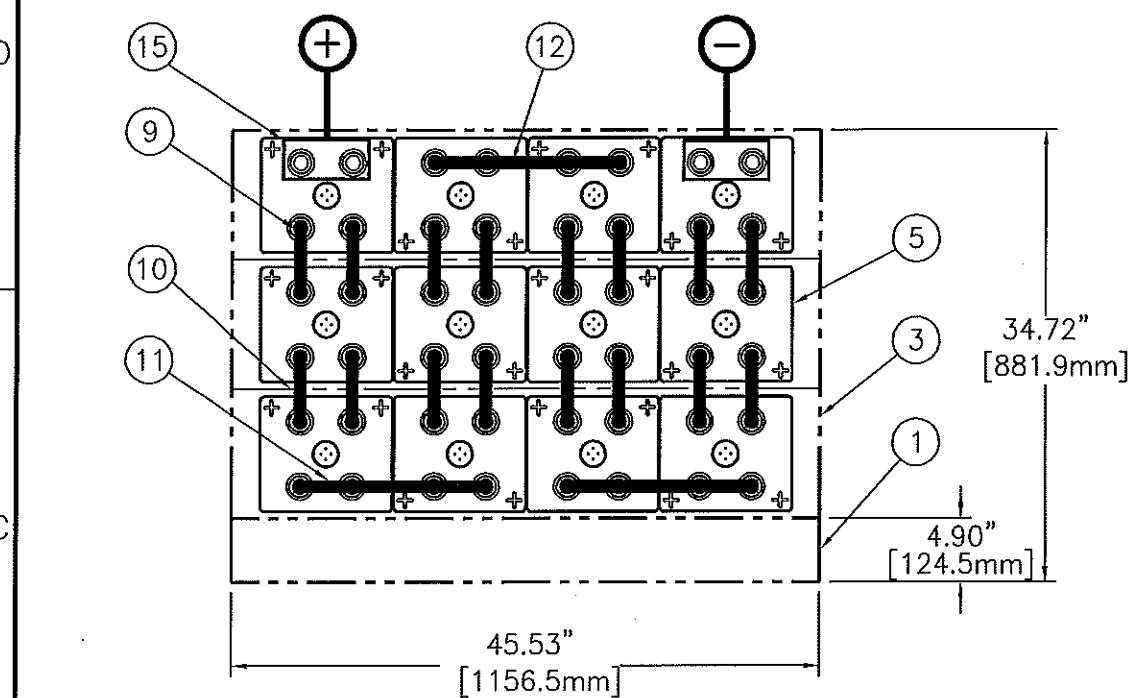
APPROX. SYSTEM WEIGHT: 3,020 LBS [1,369.8 kg]
FLOOR CONTACT AREA: 74.25 SQ. IN. [47,903 mm²]



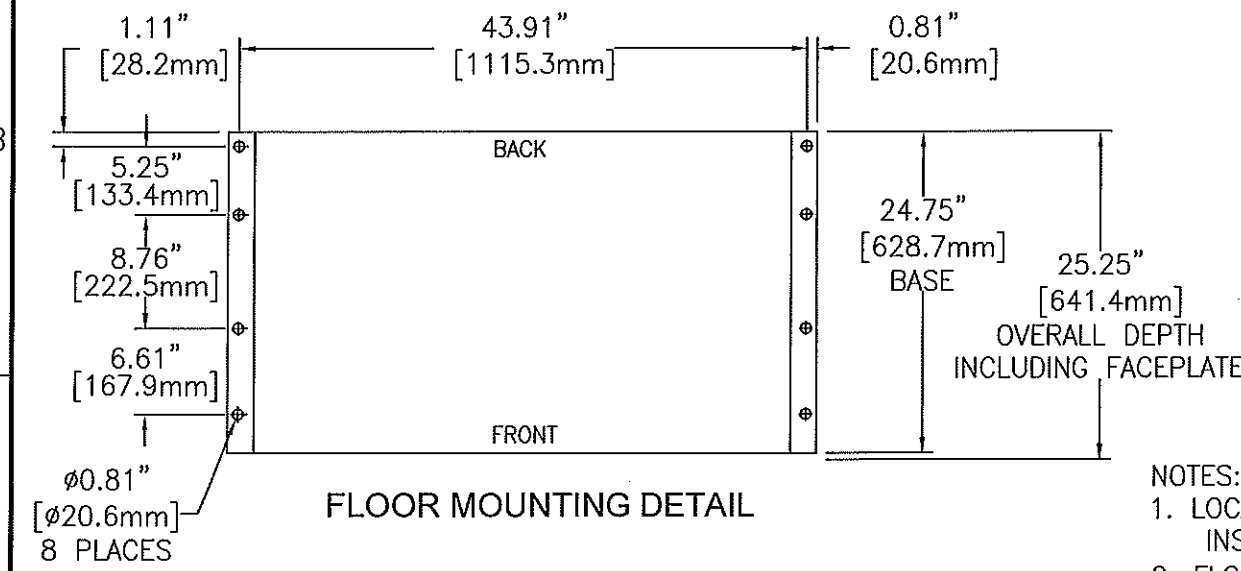
SYSTEM NO. E2743012CE01

ITEM	QTY	PART NO.	DESCRIPTION
20	1	RE04454	ACCESSORY KIT (J29536)
19			
18			
17			
16			
15	2	PT00959T	TERMINAL PLATE (M15923)
14			
13			
12	1	PK04335T	CONNECTOR 1.00 x 15.45 x 0.25
11	2	PK04334T	CONNECTOR 1.00 x 15.25 x 0.25
10	16	PK04325T	CONNECTOR 1.00 x 5.96 x 0.19
9	2	HDWR-R11	HARDWARE KIT, CONNECTOR
9.1	48	PB00327	BOLT, HEX 5/16-18 x 1.25 S.S.
9.2	48	PH01700	WASHER, FLAT S.S.
8	3	PH04006-45	FACEPLATE (K11056)
7	4	HDWR-R13	HARDWARE KIT, FACEPLATE (J29535)
5	12	CW18126	CELL (N03375)
3	3	RD04496-45G	MODULE ASSEMBLY KIT (M14111)
1	1	RD04407-45A	BASE ASSEMBLY KIT (M14028)

NOTICE: THIS DRAWING AND THE INFORMATION DISCLOSED ON IT ARE CONFIDENTIAL AND PROPRIETARY TO CAD TECHNOLOGIES, INC. AND MAY NOT BE REPRODUCED, REPRODUCED, USED OR DISCLOSED BY OR TO ANY PERSON OR PARTY OUTSIDE OF THE COMPANY IN ANY MANNER WITHOUT THE WRITTEN PERMISSION OF A DULY AUTHORIZED EMPLOYEE OF THE COMPANY. Copyright © 2014



TERMINAL PLATE DETAIL
PART NO. PT00959T



FLOOR MOUNTING DETAIL

- NOTES:
1. LOCATE POLARITY OF BATTERIES FOR PROPER ORIENTATION DURING INSTALLATION.
 2. FLOOR MOUNTING (ANCHOR) BOLTS ARE NOT FURNISHED.
 3. INSTALLATION ANCHOR BOLT SIZE & TYPE ARE TO BE DETERMINED BY USER IN ACCORDANCE WITH BUILDING CODES APPLICABLE TO THE ARRANGEMENT DESCRIBED ON THIS DRAWING.
 4. REFERENCE INSTALLATION MANUAL RS02044 FOR: CONNECTOR TORQUE VALUES, MODULE TO MODULE CONNECTIONS & FACEPLATE MOUNTING DETAILS.
 5. CONNECTORS ARE SIZED TO LESS THAN 30mV DROP AT 553.0 AMPS (2 HOUR RATE TO 1.75 VPC).

<small>UNLESS OTHERWISE SPECIFIED DIMENSIONS ARE IN INCHES & DECIMALS THEREOF</small> DRAWN BY: <i>M. NEESE</i> DATE: 5/23/14 CHECKED BY: <i>M. Neese</i> DATE: 5/27/14 APPROVED BY: <i>M. Neese</i> DATE: 6/1/14 THIRD ANGLE PROJECTION SEE BOM ABOVE PER: SPEC: FILE: E2743012CE01	ALL SHEETS ARE THE SAME REVISION STATUS CAD TECHNOLOGIES, INC. 1400 UNION MEETING, BLUE BELL, PA 19422-0688 www.cadtech.com TITLE: CONNECTION DIAGRAM 24V 4X3 AT-27P SIZE: D CASE CODE: DRAWING NUMBER: E2743012CE01 0
------------------------------------------------------------------------------------------------------------------------------------------------------------------------------------------------------------------------------------------------------------------------------------------------------------	-------------------------------------------------------------------------------------------------------------------------------------------------------------------------------------------------------------------------------------------------