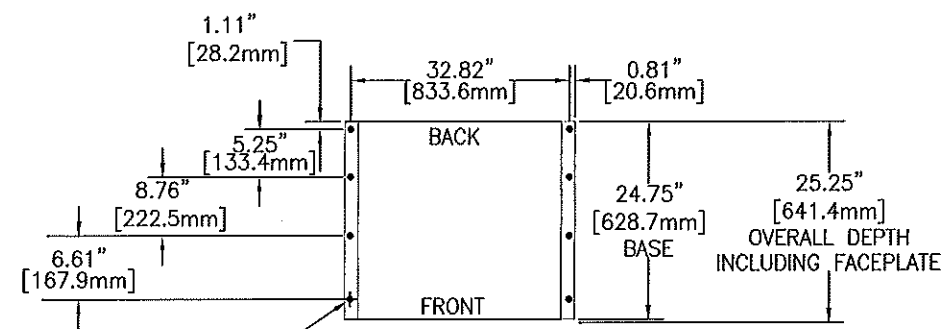
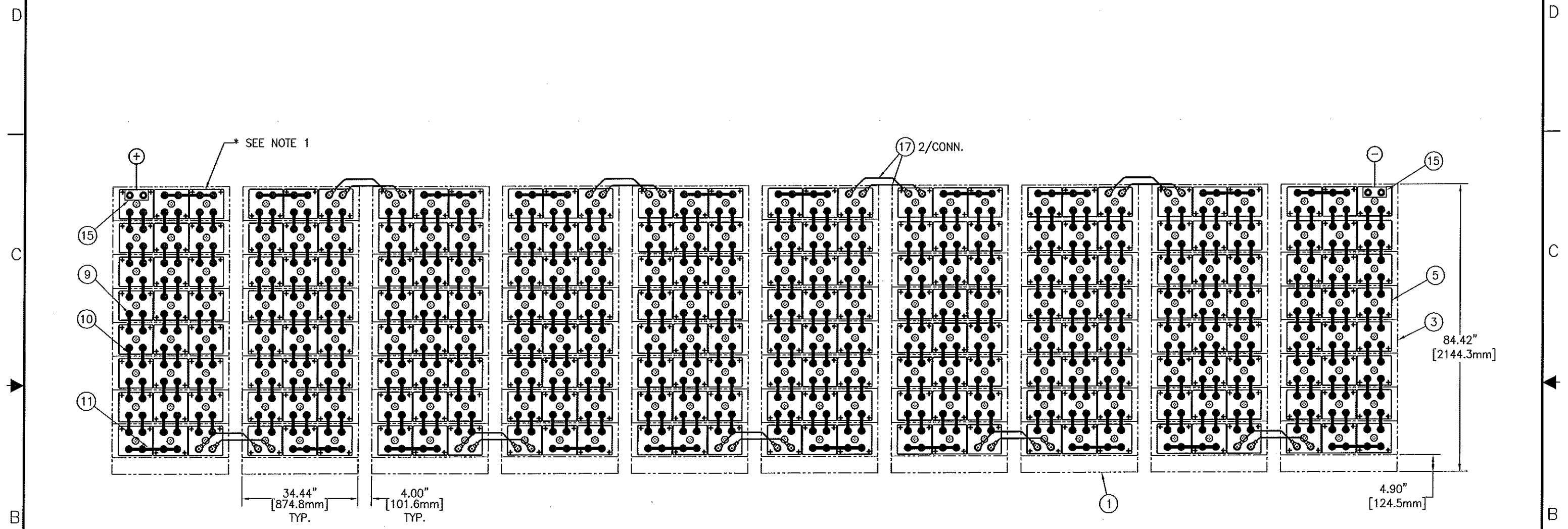


NOTICE: THIS DRAWING AND THE INFORMATION DISCLOSED ON IT ARE CONFIDENTIAL AND PROPRIETARY TO CAD TECHNOLOGIES, INC. AND MAY NOT BE REPRODUCED, REPRODUCED, USED OR DISCLOSED BY OR TO ANY PERSON OR PARTY OUTSIDE OF THE COMPANY IN ANY MANNER WITHOUT THE WRITTEN PERMISSION OF A DULY AUTHORIZED EMPLOYEE OF THE COMPANY. Copyright © 2009

REVISION HISTORY						
ZONE	REV	DESCRIPTION	ECN#	REV'D	CHK'D	DATE



- NOTES:
- * 1. LOCATE POLARITY OF BATTERIES FOR PROPER ORIENTATION DURING INSTALLATION.
 - 2. FLOOR MOUNTING (ANCHOR) BOLTS ARE NOT FURNISHED.
 - 3. INSTALLATION ANCHOR BOLT SIZE AND TYPE ARE TO BE DETERMINED BY USER IN ACCORDANCE WITH BUILDING CODES APPLICABLE TO THE ARRANGEMENT DESCRIBED ON THIS DRAWING.
 - 4. REFERENCE INSTALLATION MANUAL RS02044 FOR: CONNECTOR TORQUE VALUES, MODULE TO MODULE CONNECTIONS & FACEPLATE MOUNTING DETAILS.
 - 5. CONNECTORS AND CABLES ARE SIZED TO THE 15 MIN RATE TO 1.67 FINAL VPC AT 1662.3 AMPS. CONNECTORS RESULT IN <30mV DROP AND CABLES RESULT IN <100 mV DROP.

<small>PLEASE ADVISE SPECIFIED DIMENSIONS ARE IN INCHES UNLESS OTHERWISE NOTED</small> DRAWN: M. NEESSE CHECKED: M. NEESSE DATE: 07/18/14 APPROVED: M. Neesse APPROVED: M. Neesse		ALL SHEETS ARE THE SAME REVISION STATUS CAD TECHNOLOGIES, INC. 1400 UNION MEETING, BLUE BELL, PA 19422-0588 www.cadtechno.com	
SEE BOM ABOVE PER: SPEC:		TITLE: CONNECTION DIAGRAM 480V 3XB AT-27P SCALE: NTS SHEET 1 OF 2	
FILE: E2738240CE01A		DRAWING NUMBER: E2738240CE01 REVISION: 0	

NOTICE: THIS DRAWING AND THE INFORMATION INCLUDED ON IT ARE CONFIDENTIAL AND PROPRIETARY TO CED TECHNOLOGIES, INC. AND MAY NOT BE DUPLICATED, REPRODUCED, USED OR DISCLOSED BY OR TO ANY PERSON OR PARTY OUTSIDE OF THE COMPANY IN ANY WAY WITHOUT THE WRITTEN PERMISSION OF A DULY AUTHORIZED EMPLOYEE OF THE COMPANY. Copyright © 2004

ECN13928

REVISION HISTORY						
ZONE	REV	DESCRIPTION	ENR#	REV'D	CHK'D	DATE

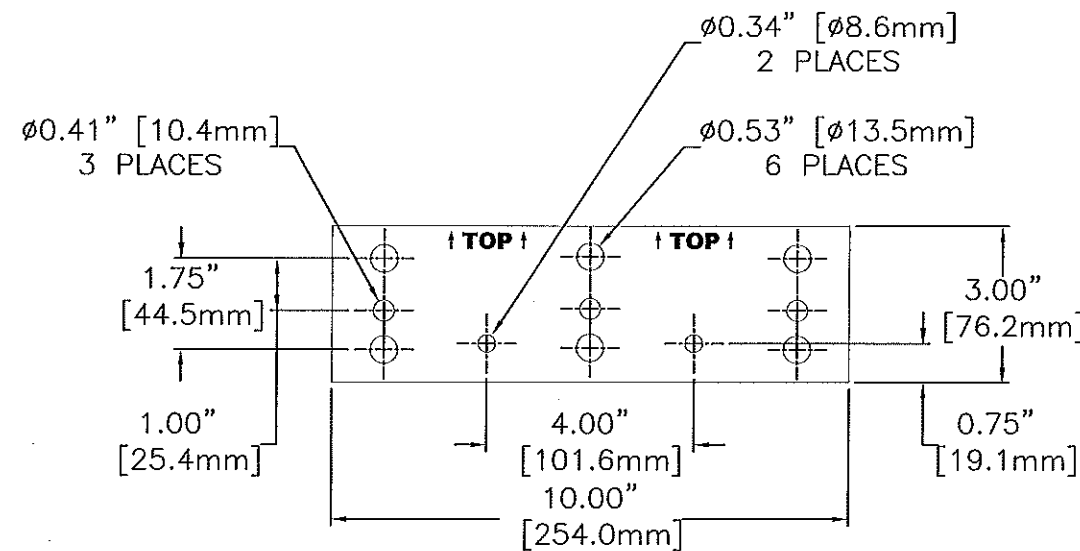
480 VOLT SYSTEM (240) AT-27P CELLS

APPROX. SYSTEM WEIGHT: 57,870 LBS [26,249.4 kg]
FLOOR CONTACT AREA: 742.5 SQ. IN. [479,031 mm²]



SYSTEM NO. E2738240CE01

20	1	RE04455-240	ACCESSORY KIT (J29537)
19			
18			
17	36	RA02250-21	4/0 CABLE 21" LONG
16			
15	2	PT00959T	TERMINAL PLATE (M15923)
14			
13			
12			
11	20	PK04290T	CONNECTOR 2.00 x 15.25 x 0.25
10	420	PK04097T	CONNECTOR 1.50 x 5.96 x 0.12
9	39	HDWR-R11	HARDWARE KIT, CONNECTOR
9.1	960	PB00327	BOLT, HEX 5/16-18 x 1.25 S.S
9.2	960	PH01700	WASHER, FLAT S.S.
8	80	PH04006-34	FACEPLATE (K11056)
7	90	HDWR-R13	HARDWARE KIT, FACEPLATE (J29535)
5	240	CW18126	CELL (N03375)
3	80	RD04496P-34G	MODULE ASSEMBLY KIT (M14111)
1	10	RD04407-34A	BASE ASSEMBLY KIT (M14028)
ITEM	QTY	PART NO.	DESCRIPTION



TERMINAL PLATE DETAIL
PART NO. PT00959T

UNLESS OTHERWISE SPECIFIED DIMENSIONS ARE IN INCHES & TOLERANCES ARE:				DRAWN BY: M. NEESE		DATE: 6/18/14	
DECIMALS	±	FRACTIONS	±	CHECKED BY: M. NEESE	DATE: 6/18/14		
12				APPROVED BY: M. NEESE	DATE: 6/18/14	1400 UNION MEETING, BLUE BELL, PA 19422-0588 www.cedtwo.com	
THIRD ANGLE PROJECTION				TITLE: CONNECTION DIAGRAM 480V 3X8 AT-27P			
SEE BOM ABOVE				SIZE: D	CAGE CODE: E2738240CE01	REVISION: 0	SCALE: NTS SHEET 2 OF 2