

NOTICE: THIS DRAWING AND THE INFORMATION DISCLOSED ON IT ARE CONFIDENTIAL AND PROPRIETARY TO C&D TECHNOLOGIES, INC. AND MAY NOT BE REPRODUCED, COPIED, OR TRANSMITTED IN ANY FORM OR BY ANY MEANS, ELECTRONIC OR MECHANICAL, INCLUDING PHOTOCOPYING, RECORDING, OR BY ANY INFORMATION STORAGE AND RETRIEVAL SYSTEM, WITHOUT THE WRITTEN PERMISSION OF A DULY AUTHORIZED EMPLOYEE OF THE COMPANY. Copyright © 2014

ECN13915

REVISION HISTORY						
ZONE	REV	DESCRIPTION	ENGR	REV'D	CHK'D	DATE

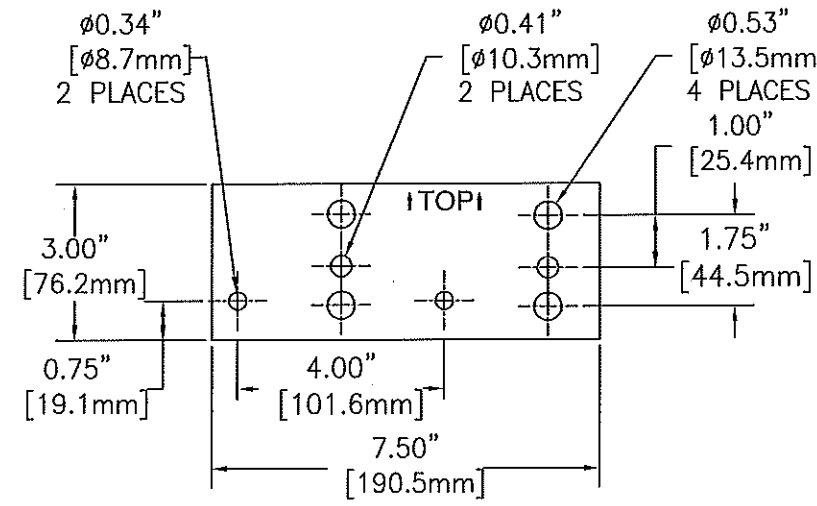
### 48 VOLT SYSTEM (24) AT-27P CELLS

APPROX. SYSTEM WEIGHT: 5,790 LBS [2,626.3 kg]  
FLOOR CONTACT AREA: 74.25 SQ. IN. [47,903 mm<sup>2</sup>]

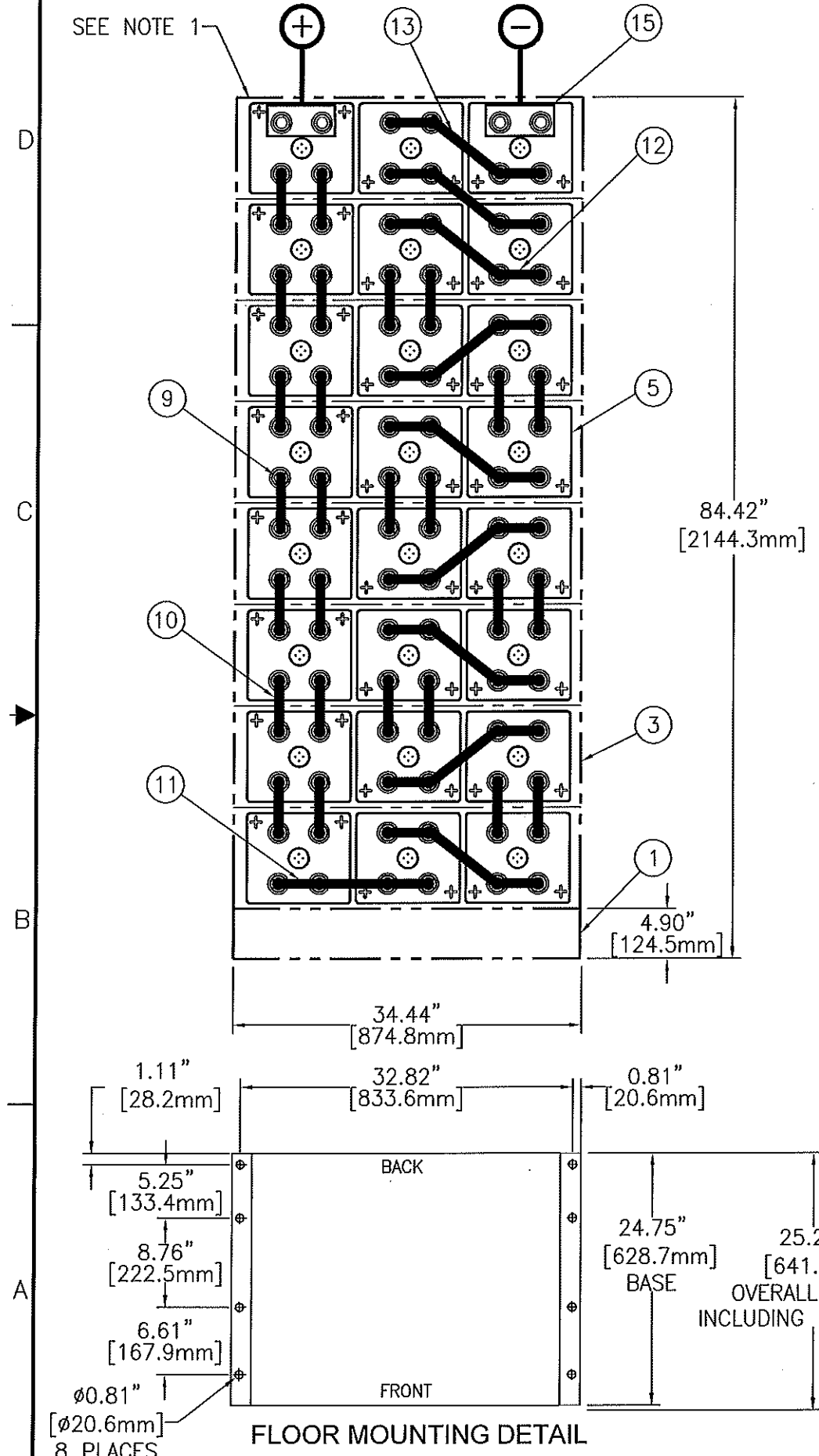


SYSTEM NO. E2738024CE01

ITEM	QTY	PART NO.	DESCRIPTION
20	1	RE04454	ACCESSORY KIT (J29536)
19			
18			
17			
16			
15	2	PT00960T	TERMINAL PLATE (M15923)
14			
13	9	PK04328T	CONNECTOR 1.00 x 8.88 x 0.19
12	18	PK04330T	CONNECTOR 1.00 x 5.00 x 0.25
11	1	PK04334T	CONNECTOR 1.00 x 15.25 x 0.25
10	26	PK04325T	CONNECTOR 1.00 x 5.96 x 0.19
9	4	HDWR-R11	HARDWARE KIT, CONNECTOR
9.1	96	PB00327	BOLT, HEX 5/16-18 x 1.25 S.S.
9.2	96	PH01700	WASHER, FLAT S.S.
8	8	PH04006-34	FACEPLATE (K11056)
7	9	HDWR-R13	HARDWARE KIT, FACEPLATE (J29535)
5	24	CW18126	CELL (N03375)
3	8	RD04496-34G	MODULE ASSEMBLY KIT (M14111)
1	1	RD04407-34A	BASE ASSEMBLY KIT (M14028)



TERMINAL PLATE DETAIL  
PART NO. PT00960T



FLOOR MOUNTING DETAIL

- NOTES:
1. LOCATE POLARITY OF BATTERIES FOR PROPER ORIENTATION DURING INSTALLATION.
  2. FLOOR MOUNTING (ANCHOR) BOLTS ARE NOT FURNISHED.
  3. INSTALLATION ANCHOR BOLT SIZE & TYPE ARE TO BE DETERMINED BY USER IN ACCORDANCE WITH BUILDING CODES APPLICABLE TO THE ARRANGEMENT DESCRIBED ON THIS DRAWING.
  4. REFERENCE INSTALLATION MANUAL RS02044 FOR: CONNECTOR TORQUE VALUES, MODULE TO MODULE CONNECTIONS & FACEPLATE MOUNTING DETAILS.
  5. CONNECTORS ARE SIZED TO LESS THAN 30mV DROP AT 553.0 AMPS (2 HOUR RATE TO 1.75 VPC).

ALL SHEETS ARE THE SAME REVISION STATUS

**C&D TECHNOLOGIES, INC.**  
1400 UNION MEETING, BLUE BELL, PA 19422-0888  
www.cdtechno.com

CONNECTION DIAGRAM  
48V 3X8 AT-27P

DATE: 5/21/14  
DRAWN BY: M. NEESE  
CHECKED BY: J. HADJOPOLIS  
APPROVED BY: J. HADJOPOLIS  
DATE: 6/6/14

SCALE: NTS  
SHEET 1 OF 1