

NOTICE: THIS DRAWING AND THE INFORMATION DISCLOSED ON IT ARE CONFIDENTIAL AND PROPRIETARY TO CAD TECHNOLOGIES, INC. AND MAY NOT BE REPRODUCED, REFINISHED, USED OR DISCLOSED BY OR TO ANY PERSON OR PARTY OUTSIDE OF THE COMPANY IN ANY WAY WITHOUT THE WRITTEN PERMISSION OF A DULY AUTHORIZED EMPLOYEE OF THE COMPANY. Copyright © 2004

ECN13915

REVISION HISTORY						
ZONE	REV	DESCRIPTION	ECH	REV'D	CHK'D	DATE

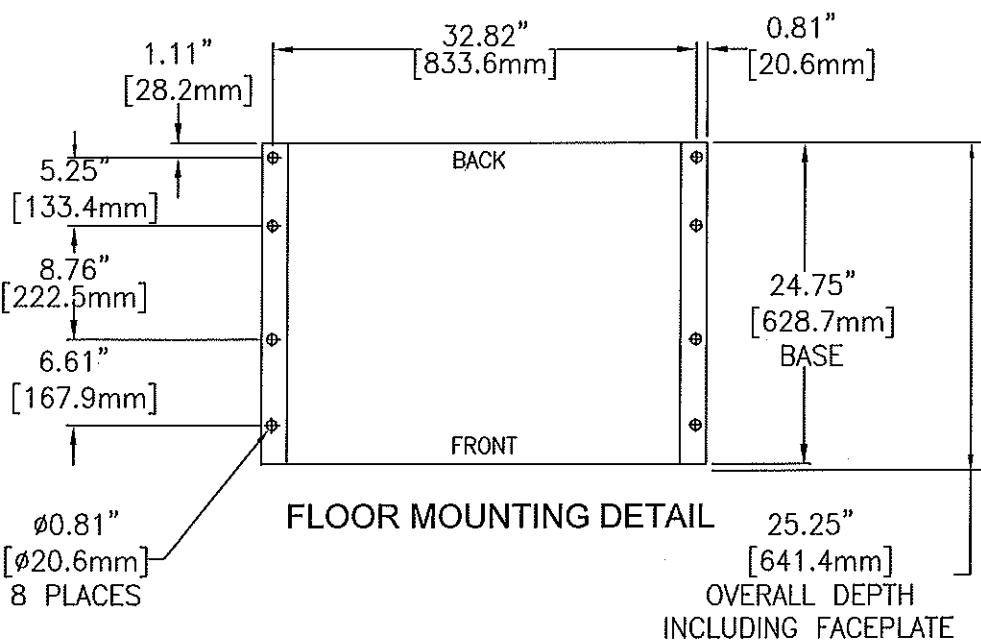
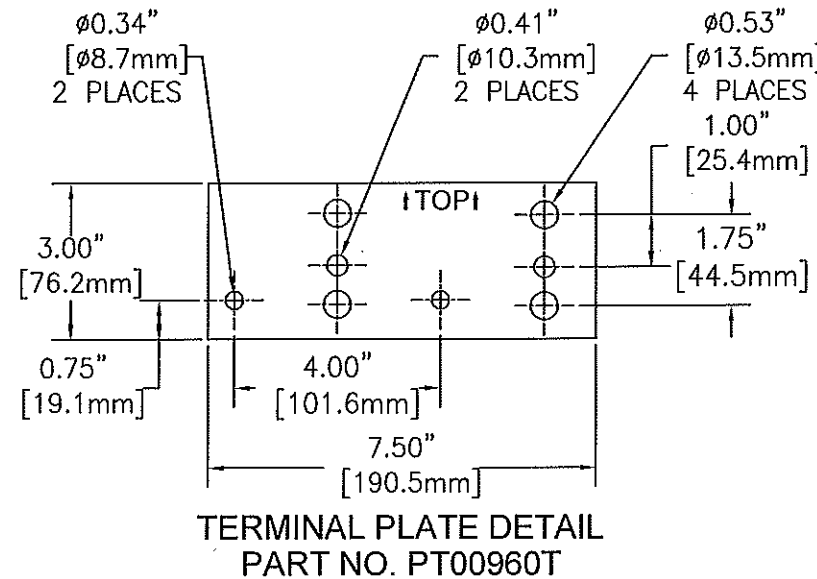
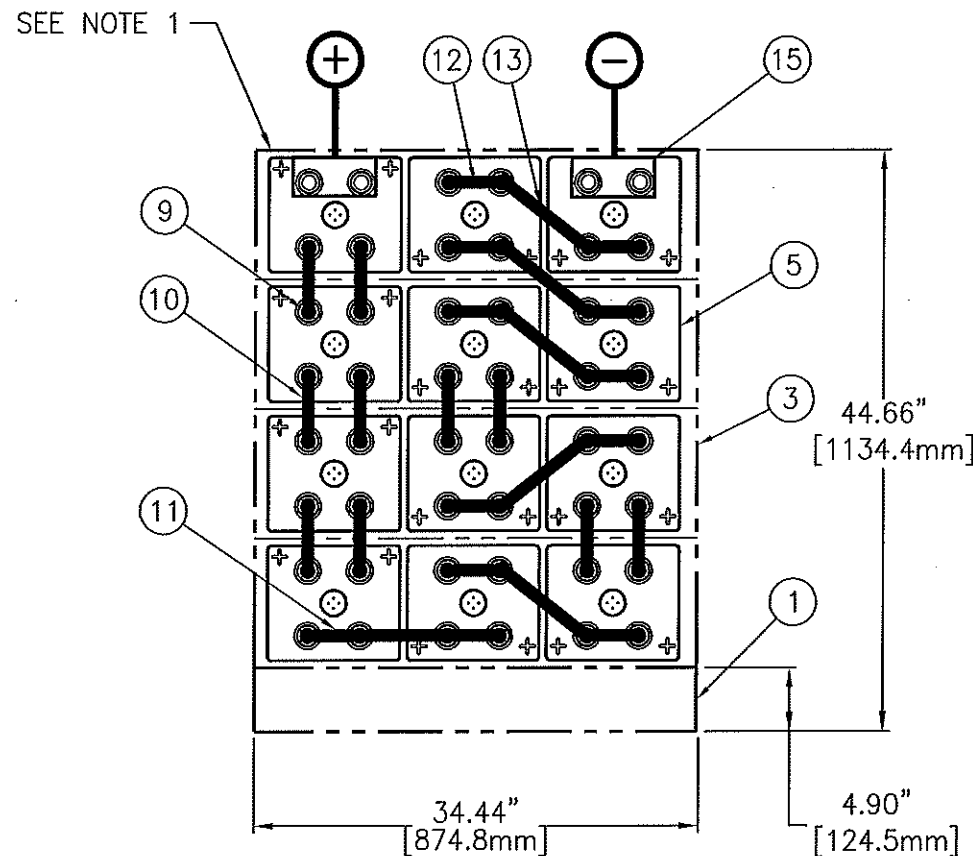
24 VOLT SYSTEM (12) AT-27P CELLS

APPROX. SYSTEM WEIGHT: 2,930 LBS [1,329.0 kg]
FLOOR CONTACT AREA: 74.25 SQ. IN. [47,903 mm²]



SYSTEM NO. E2734012CE01

20	1	RE04454	ACCESSORY KIT (J29536)
19			
18			
17			
16			
15	2	PT00960T	TERMINAL PLATE (M15923)
14			
13	5	PK04328T	CONNECTOR 1.00 x 8.88 x 0.19
12	10	PK04330T	CONNECTOR 1.00 x 5.00 x 0.25
11	1	PK04334T	CONNECTOR 1.00 x 15.25 x 0.25
10	10	PK04325T	CONNECTOR 1.00 x 5.96 x 0.19
9	2	HDWR-R11	HARDWARE KIT, CONNECTOR
9.1	48	PB00327	BOLT, HEX 5/16-18 x 1.25 S.S.
9.2	48	PH01700	WASHER, FLAT S.S.
8	4	PH04006-34	FACEPLATE (K11056)
7	5	HDWR-R13	HARDWARE KIT, FACEPLATE (J29535)
5	12	CW18126	CELL (N03375)
3	4	RDO4496-34G	MODULE ASSEMBLY KIT (M14111)
1	1	RDO4407-34A	BASE ASSEMBLY KIT (M14028)
ITEM	QTY	PART NO.	DESCRIPTION



- NOTES:
1. LOCATE POLARITY OF BATTERIES FOR PROPER ORIENTATION DURING INSTALLATION.
 2. FLOOR MOUNTING (ANCHOR) BOLTS ARE NOT FURNISHED.
 3. INSTALLATION ANCHOR BOLT SIZE AND TYPE ARE TO BE DETERMINED BY USER IN ACCORDANCE WITH BUILDING CODES APPLICABLE TO THE ARRANGEMENT DESCRIBED ON THIS DRAWING.
 4. REFERENCE INSTALLATION MANUAL RS02044 FOR: CONNECTOR TORQUE VALUES, MODULE TO MODULE CONNECTIONS & FACEPLATE MOUNTING DETAILS.
 5. CONNECTORS ARE SIZED TO LESS THAN 30mV DROP AT 553.0 AMPS (2 HOUR RATE TO 1.75 VPC).

<small>UNLESS OTHERWISE SPECIFIED DIMENSIONS ARE IN INCHES & TOLERANCES ON DECIMALS</small> DATE: 5/21/14 DRAWN: M. NEESE CHECKED: M. NEESE APPROVED: M. NEESE THIRD ANGLE PROJECTION MATERIAL: SEE BOM ABOVE PER: SPEC:	<small>ALL SHEETS ARE THE SAME REVISION STATUS</small> CAD TECHNOLOGIES, INC. 1400 UNION MEETING, BLUE BELL, PA 19422-0588 www.cadtech.com TITLE: CONNECTION DIAGRAM 24V 3X4 AT-27P SCALE: NTS SHEET 1 OF 1 12/2000
---	---