

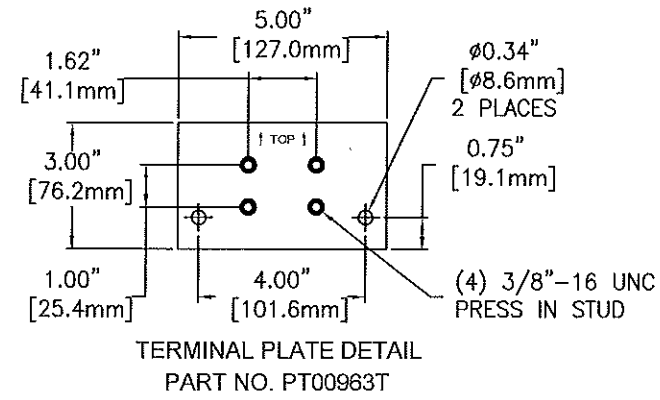
NOTED: THIS DRAWING AND THE INFORMATION DISCLOSED ON IT ARE CONFIDENTIAL AND PROPRIETARY TO GAD TECHNOLOGIES, INC. AND MAY NOT BE REPRODUCED, COPIED, OR DISCLOSED BY OR TO ANY PERSON OR PARTY OUTSIDE OF THE COMPANY IN ANY MANNER WITHOUT THE WRITTEN PERMISSION OF A DULY AUTHORIZED EMPLOYEE OF THE COMPANY. Copyright © 2001.

ECN#14168

REVISION HISTORY						
ZONE	REV	DESCRIPTION	ECN#	REV'D	CHK'D	DATE

384 VOLT SYSTEM (192) AT-23P CELLS

APPROX. SYSTEM WEIGHT: 40,710 LBS [18,465.8 kg]
FLOOR CONTACT AREA: 445.5 SQ. IN. [287,419 mm²]

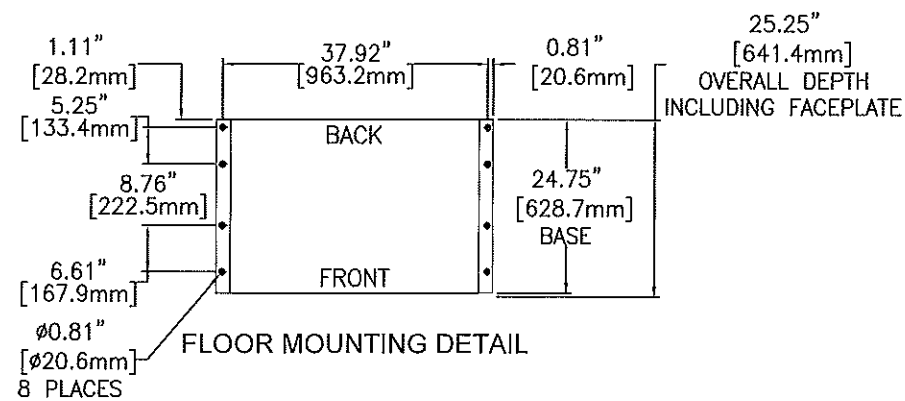
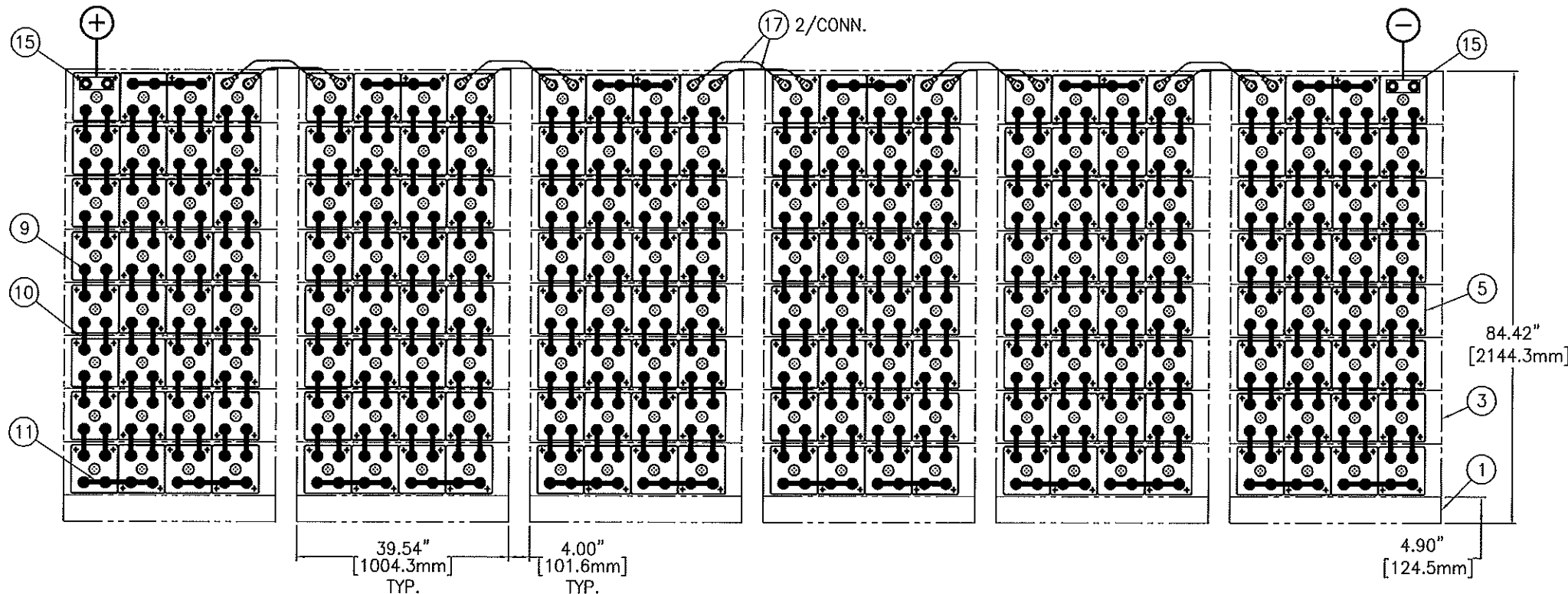


TERMINAL PLATE DETAIL
PART NO. PT00963T



SYSTEM NO. E2348192CE01

20	1	RE04455-240	ACCESSORY KIT (J29537)
19			
18			
17	20	RA02250-21	4/0 CABLE 21" LONG
16			
15	2	PT00963T	TERMINAL PLATE (M15923)
14			
13			
12			
11	18	PK04288T	CONNECTOR 2.00 x 13.92 x 0.25
10	336	PK04097T	CONNECTOR 1.50 x 5.96 x 0.12
9	31	HDWR-R11	HARDWARE KIT, CONNECTOR
9.1	768	PB00327	BOLT, HEX 5/16-18 x 1.25 S.S.
9.2	768	PH01700	WASHER, FLAT S.S.
8	48	PH04006-39	FACEPLATE (K11056)
7	54	HDWR-R13	HARDWARE KIT, FACEPLATE (J29535)
5	192	CW18351	CELL (N03375)
3	48	RD04496P-39F	MODULE ASSEMBLY KIT (M14111)
1	6	RD04407-39A	BASE ASSEMBLY KIT (M14028)
ITEM	QTY	PART NO.	DESCRIPTION



FLOOR MOUNTING DETAIL

NOTES:

1. LOCATE POLARITY OF BATTERIES FOR PROPER ORIENTATION DURING INSTALLATION.
2. FLOOR MOUNTING (ANCHOR) BOLTS ARE NOT FURNISHED.
3. INSTALLATION ANCHOR BOLT SIZE AND TYPE ARE TO BE DETERMINED BY USER IN ACCORDANCE WITH BUILDING CODES APPLICABLE TO THE ARRANGEMENT DESCRIBED ON THIS DRAWING.
4. REFERENCE INSTALLATION MANUAL RS02044 FOR: CONNECTOR TORQUE VALUES, MODULE TO MODULE CONNECTIONS & FACEPLATE MOUNTING DETAILS.
5. CONNECTORS AND CABLES ARE SIZED TO THE 15 MIN. RATE TO 1.67 FINAL VPC AT 1406.6 AMPS. CONNECTORS RESULT IN <30mV DROP AND CABLES RESULT IN <100mV DROP.

ALL SHEETS ARE THE SAME REVISION STATUS

GAD TECHNOLOGIES, INC.
1400 UNION MEETING, BLUE BELL, PA 19422-0588
www.gadtech.com

DATE: 1/24/15
DRAWN BY: HODGES
CHECKED BY: [Signature]
APPROVED BY: [Signature]

THIRD ANGLE PROJECTION

SEE BOM ABOVE

PER: SPEC: FILE: E2348192CE01

SCALE NTS

SHEET 1 OF 1

12/2000