

NOTICE: THIS DRAWING AND THE INFORMATION DISCLOSED ON IT ARE CONFIDENTIAL AND PROPRIETARY TO CAD TECHNOLOGIES, INC. AND MAY NOT BE REPRODUCED, REPRODUCED, USED OR DISCLOSED BY OR TO ANY PERSON OR PARTY OUTSIDE OF THE COMPANY IN ANY MANNER WITHOUT THE WRITTEN PERMISSION OF A DULY AUTHORIZED EMPLOYEE OF THE COMPANY. Copyright © 2014

ECN14072

REVISION HISTORY						
ZONE	REV	DESCRIPTION	ECN#	REV'D	CHK'D	DATE

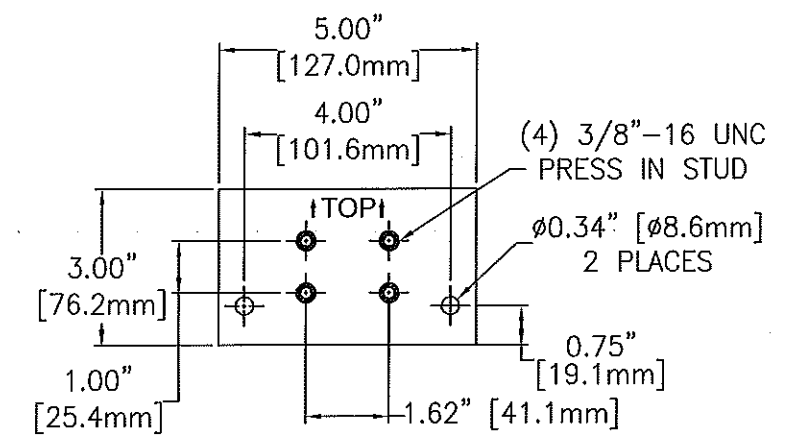
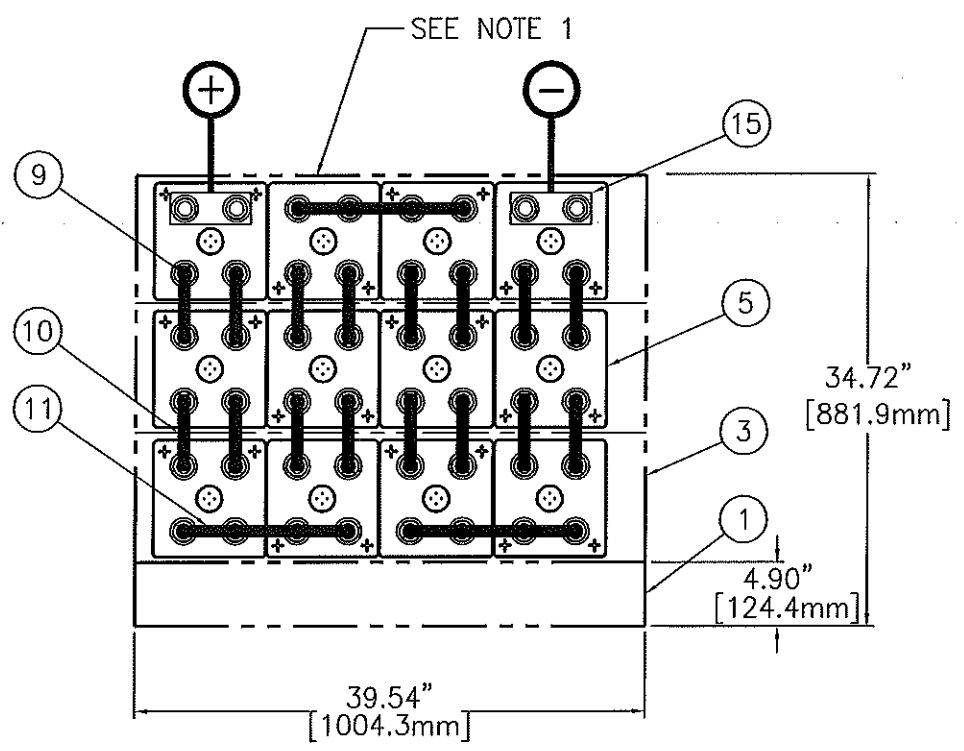
24 VOLT SYSTEM (12) AT-23P CELLS

APPROX. SYSTEM WEIGHT: 2,590 LBS [1,174.8 kg]
FLOOR CONTACT AREA: 74.25 SQ. IN. [47,903 mm²]

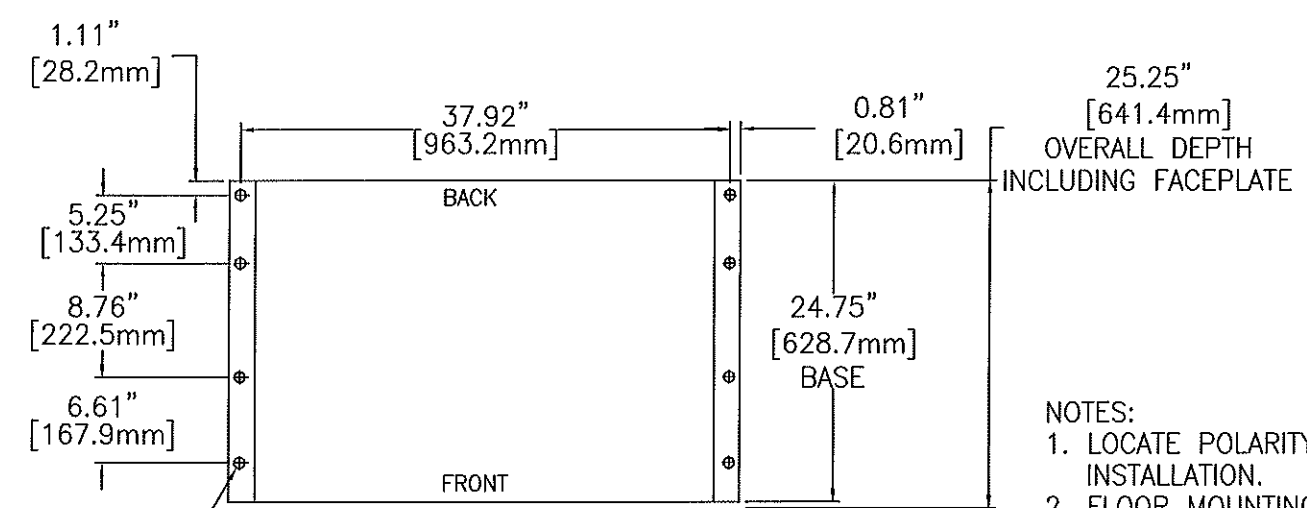


SYSTEM NO. E2343012CE01

20	1	RE04454	ACCESSORY KIT (J29536)
19			
18			
17			
16			
15	2	PT00963T	TERMINAL PLATE (M15923)
14			
13			
12			
11	3	PK04278T	CONNECTOR 1.00 x 13.92 x 0.19
10	16	PK04225T	CONNECTOR 1.00 x 5.94 x 0.12
9	2	HDWR-R11	HARDWARE KIT, CONNECTOR
9.1	48	PB00327	BOLT, HEX 5/16-18 x 1.25 S.S.
9.2	48	PH01700	WASHER, FLAT S.S.
8	3	PH04006-39	FACEPLATE (K11056)
7	4	HDWR-R13	HARDWARE KIT, FACEPLATE (J29535)
5	12	CW18351	CELL (N03375)
3	3	RD04496-39F	MODULE ASSEMBLY KIT (M14111)
1	1	RD04407-39A	BASE ASSEMBLY KIT (M14028)
ITEM	QTY	PART NO.	DESCRIPTION



TERMINAL PLATE DETAIL
PART NO. PT00963T



FLOOR MOUNTING DETAIL

- NOTES:
1. LOCATE POLARITY OF BATTERIES FOR PROPER ORIENTATION DURING INSTALLATION.
 2. FLOOR MOUNTING (ANCHOR) BOLTS ARE NOT FURNISHED.
 3. INSTALLATION ANCHOR BOLT SIZE AND TYPE ARE TO BE DETERMINED BY USER IN ACCORDANCE WITH BUILDING CODES APPLICABLE TO THE ARRANGEMENT DESCRIBED ON THIS DRAWING.
 4. REFERENCE INSTALLATION MANUAL RS02044 FOR: CONNECTOR TORQUE VALUES, MODULE TO MODULE CONNECTIONS & FACEPLATE MOUNTING DETAILS.
 5. CONNECTORS ARE SIZED TO LESS THAN 30mV DROP AT 467.9 AMPS (2 HOUR RATE TO 1.75 VDC).

UNLESS OTHERWISE SPECIFIED DIMENSIONS ARE IN INCHES & TOLERANCES ON: DIMENSIONS ON: X .12 Y .12 Z .12		DATE: 11/10/14	 1400 UNION MEETING, BLUE BELL, PA 19422-0588 www.cadtech.com
DRAWN BY: M. NEESE CHECKED BY: [Signature] APPROVED BY: [Signature]		DATE: 11/10/14	
SEE BOM ABOVE		TITLE: CONNECTION DIAGRAM 24V 4X3 AT-23P	REVISION: 0
PER: [Signature]	SPEC: [Signature]	FILE: E2343012CE01	SCALE: NTS SHEET 1 OF 1