

NOTICE: THIS DRAWING AND THE INFORMATION DISCLOSED ON IT ARE CONFIDENTIAL AND PROPRIETARY TO CAD TECHNOLOGIES, INC. AND MAY NOT BE DUPLICATED, REPRODUCED, USED OR DISCLOSED BY OR TO ANY PERSON OR PARTY OUTSIDE OF THE COMPANY IN ANY WAY WITHOUT THE WRITTEN PERMISSION OF A DULY AUTHORIZED EMPLOYEE OF THE COMPANY. Copyright © 2004.

REVISION HISTORY						
ZONE	REV	DESCRIPTION	ECN#	REV'D	CHK'D	DATE

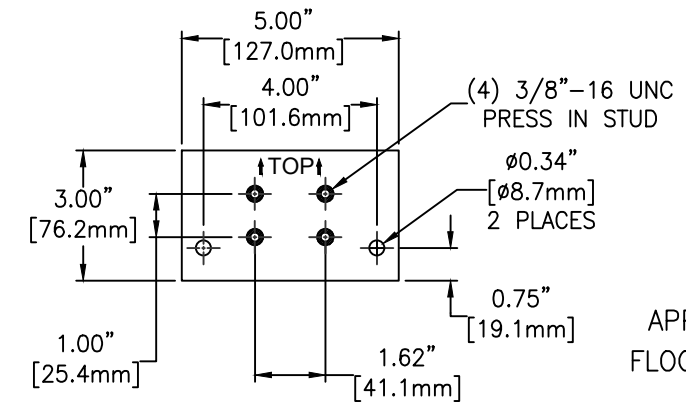
216 VOLT (108) AT-23P CELLS

APPROX. SYSTEM WEIGHT: 23,270 LBS. [10,555.1 kg]
FLOOR CONTACT AREA: 1012.80 SQ. IN. [653,418 mm²]



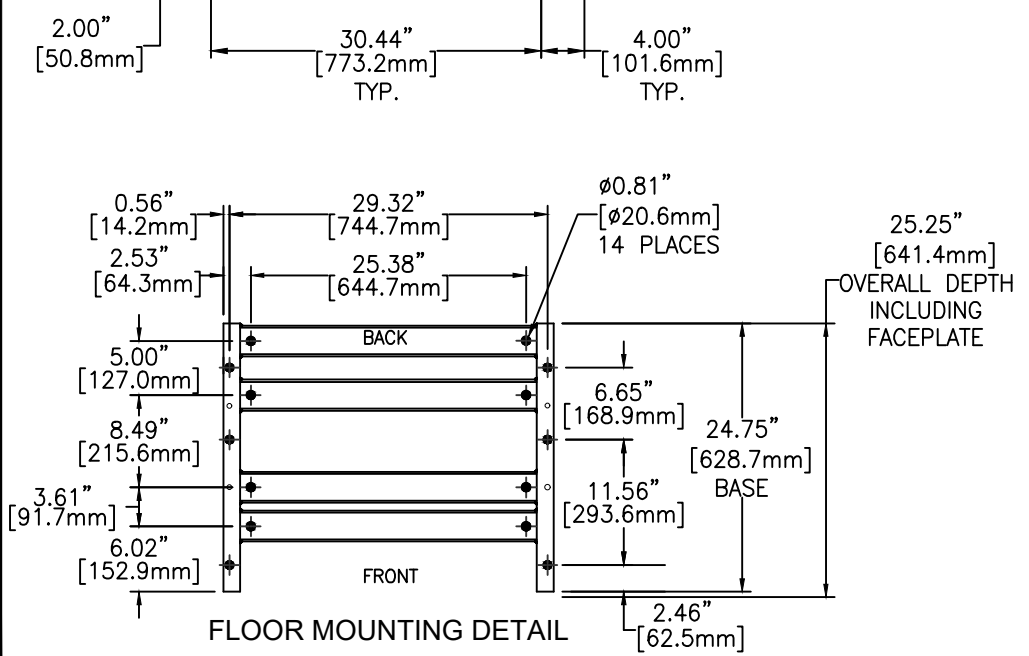
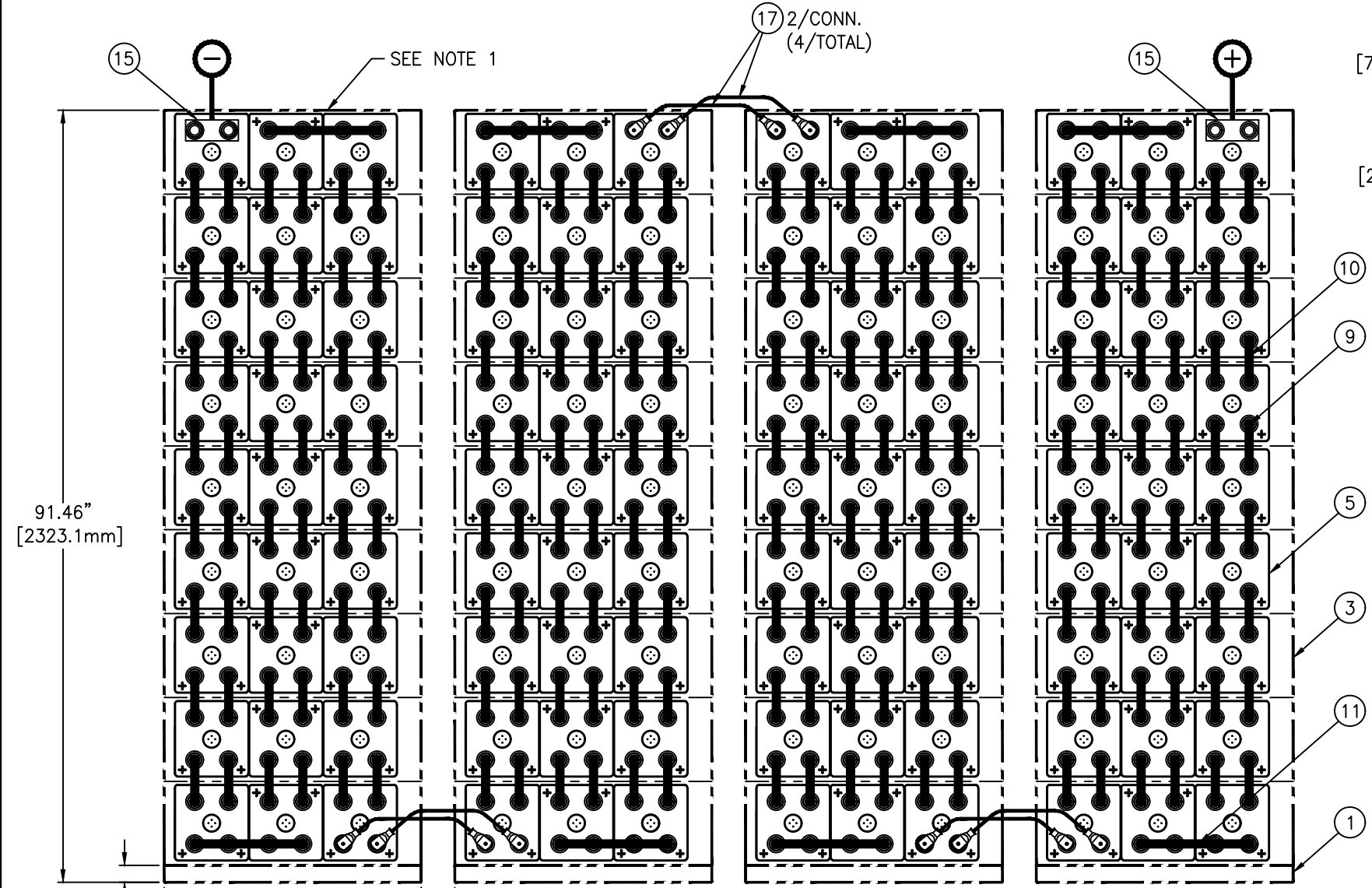
SYSTEM NO. E2339108RE02

21	1	RE04455-120	ACCESSORY KIT (J29537)
20			
19			
18			
17	12	RA02250-21	4/O CABLE 21" LONG
16			
15	2	PT00963T	TERMINAL PLATE (M15923)
14			
13			
12			
11	8	PK04288T	CONNECTOR 2.00 x 13.92 x 0.25
10	192	PK04097T	CONNECTOR 1.50 x 5.96 x 0.12
9	18	HDWR-R11	HARDWARE KIT, CONNECTOR
9.1	432	PB00327	BOLT, HEX 5/16-18 x 1.25 S.S
9.2	432	PH01700	WASHER, FLAT S.S.
8	36	PH04006-30	FACEPLATE (K11056)
7	40	HDWR-R13	HARDWARE KIT, FACEPLATE (J29535)
5	108	CW18351	CELL (N03375)
3	36	RD04496-30F	MODULE ASSEMBLY KIT (M14111)
1	4	RD04429-30A	BASE ASSEMBLY KIT (M14047)
ITEM	QTY	PART NO.	DESCRIPTION



TERMINAL PLATE DETAIL
PART NO. PT00963T

PRELIMINARY



- NOTES:**
- LOCATE POLARITY OF BATTERIES FOR PROPER ORIENTATION DURING INSTALLATION.
 - FLOOR MOUNTING (ANCHOR) BOLTS ARE NOT FURNISHED.
 - INSTALLATION ANCHOR BOLT SIZE AND TYPE ARE TO BE DETERMINED BY USER IN ACCORDANCE WITH BUILDING CODES APPLICABLE TO THE ARRANGEMENT DESCRIBED ON THIS DRAWING.
 - REFERENCE INSTALLATION MANUAL RS02044 FOR: CONNECTOR TORQUE VALUES, MODULE TO MODULE CONNECTIONS & FACEPLATE MOUNTING DETAILS.
 - CONNECTORS AND CABLES ARE SIZED TO THE 1 MIN RATE TO 1.75 FINAL VPC AT 1456.7 AMPS. CONNECTORS RESULT IN <30mV DROP AND CABLES RESULT IN <100mV DROP.

UNLESS OTHERWISE SPECIFIED DIMENSIONS ARE IN INCHES & TO DIMENSIONS OF DETAILS		DRAWN C.E.L.L.I.S.	CHECKED C.E.L.L.I.S.	DATE 4/18/19
THIRD ANGLE PROJECTION		APPROVED	APPROVED	
SEE BOM ABOVE				
PER:	SPEC:	FILE: E2339108RE02_prelim	SCALE NTS	

ALL SHEETS ARE THE SAME REVISION STATUS

CAD TECHNOLOGIES, INC.
1400 UNION MEETING, BLUE BELL, PA 19422-0588
www.cadtechno.com

TITLE: CONNECTION DIAGRAM
216V 3X9 AT-23P

SIZE: D CASE CODE: E2339108RE02 REVISION: 0

SHEET 1 OF 1