

REVISION HISTORY						
ZONE	REV	DESCRIPTION	ECH	REV'D	CHK'D	DATE

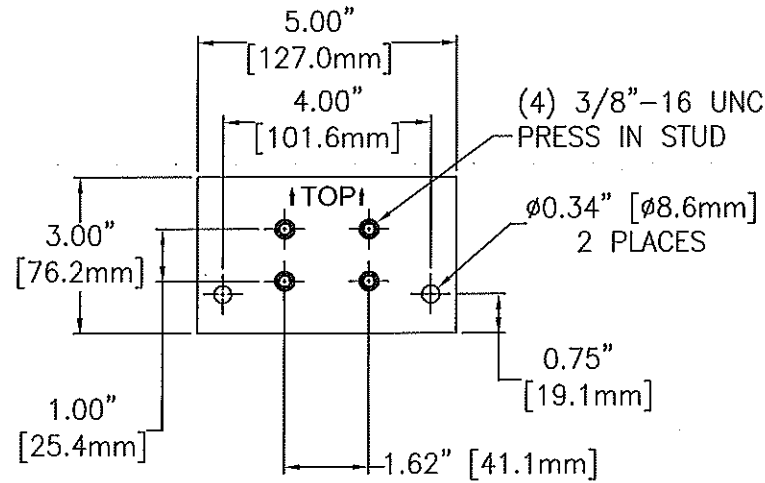
## 24 VOLT SYSTEM (12) AT-23P CELLS

APPROX. SYSTEM WEIGHT: 2,620 LBS [1,188.4 kg]  
FLOOR CONTACT AREA: 74.25 SQ. IN. [47,903 mm<sup>2</sup>]

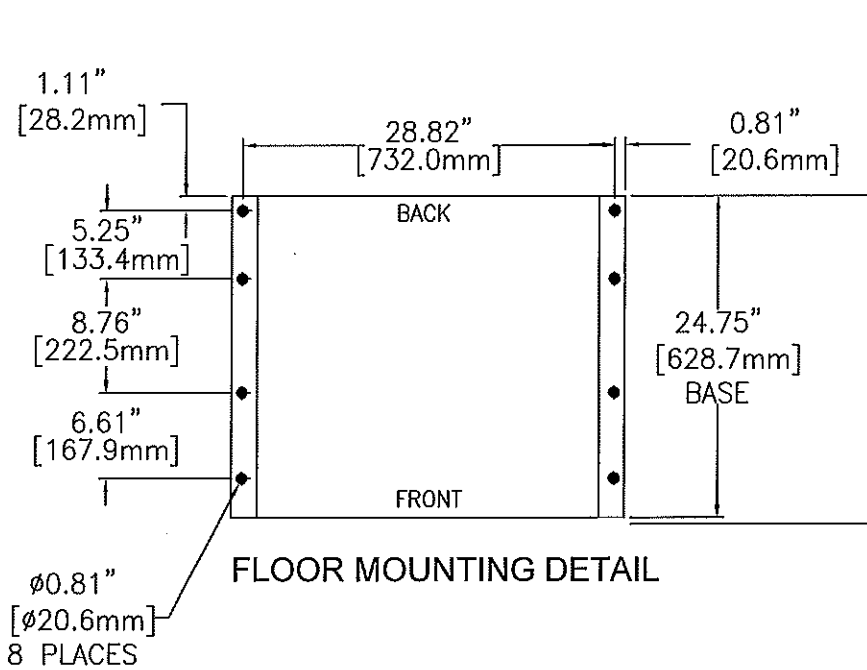
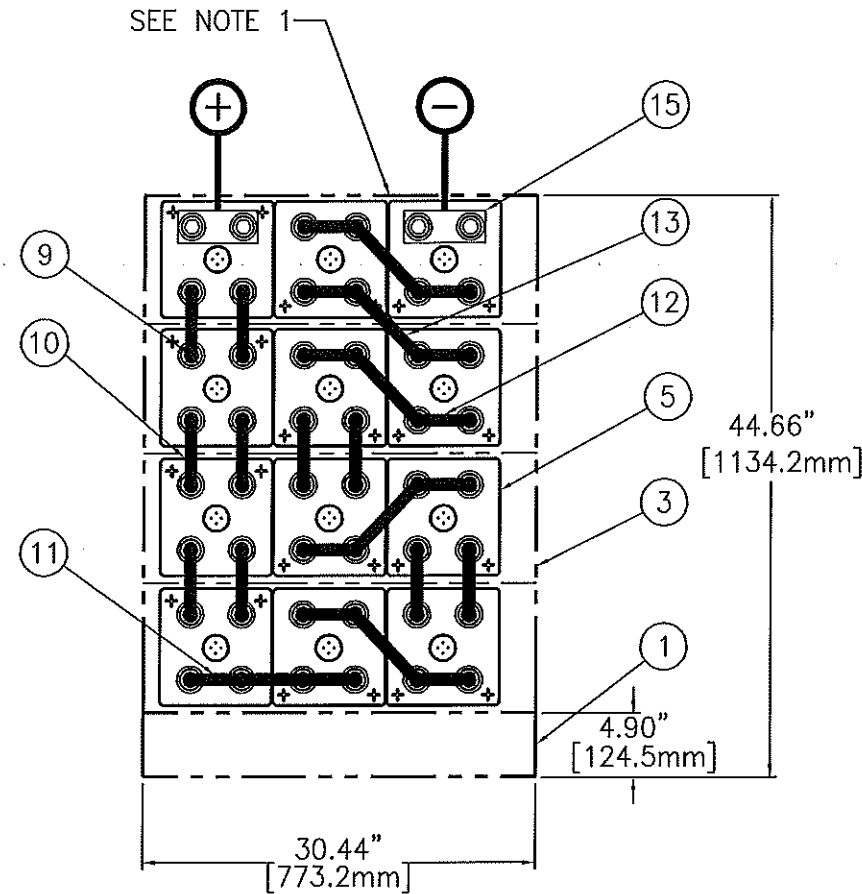


SYSTEM NO. E2334012CE01

20	1	RE04454	ACCESSORY KIT (J29536)
19			
18			
17			
16			
15	2	PT00963T	TERMINAL PLATE (M15923)
14			
13	5	PK04266T	CONNECTOR 1.00 x 7.90 x 0.19
12	10	PK04324T	CONNECTOR 1.00 x 5.00 x 0.19
11	1	PK04278T	CONNECTOR 1.00 x 13.92 x 0.19
10	10	PK04225T	CONNECTOR 1.00 x 5.94 x 0.12
9	2	HDWR-R11	HARDWARE KIT, CONNECTOR
9.1	48	PB00327	BOLT, HEX 5/16-18 x 1.25 S.S.
9.2	48	PH01700	WASHER, FLAT S.S.
8	4	PH04006-30	FACEPLATE (K11056)
7	5	HDWR-R13	HARDWARE KIT, FACEPLATE (J29535)
5	12	CW18351	CELL (N03375)
3	4	RD04496-30F	MODULE ASSEMBLY KIT (M14111)
1	1	RD04407-30A	BASE ASSEMBLY KIT (M14028)
ITEM	QTY	PART NO.	DESCRIPTION



TERMINAL PLATE DETAIL  
PART NO. PT00963T



FLOOR MOUNTING DETAIL

25.25" [641.4mm]  
OVERALL DEPTH  
INCLUDING FACEPLATE

- NOTES:
1. LOCATE POLARITY OF BATTERIES FOR PROPER ORIENTATION DURING INSTALLATION.
  2. FLOOR MOUNTING (ANCHOR) BOLTS ARE NOT FURNISHED.
  3. INSTALLATION ANCHOR BOLT SIZE AND TYPE ARE TO BE DETERMINED BY USER IN ACCORDANCE WITH BUILDING CODES APPLICABLE TO THE ARRANGEMENT DESCRIBED ON THIS DRAWING.
  4. REFERENCE INSTALLATION MANUAL RS02044 FOR: CONNECTOR TORQUE VALUES, MODULE TO MODULE CONNECTIONS & FACEPLATE MOUNTING DETAILS.
  5. CONNECTORS ARE SIZED TO LESS THAN 30mV DROP AT 467.9 AMPS (2 HOUR RATE TO 1.75 VDC).

<small>UNLESS OTHERWISE SPECIFIED DIMENSIONS ARE IN INCHES &amp; TOLERANCES ON DIMENSIONS ARE:</small> X .125" XXX .125"		DRAWN BY: <u>M. NEESE</u> CHECKED BY: <u>[Signature]</u> DATE: <u>11/10/14</u> APPROVED BY: <u>[Signature]</u> APPROVED DATE: <u>11/10/14</u>	ALL SHEETS ARE THE SAME REVISION STATUS <b>ED TECHNOLOGIES, INC.</b> 1400 UNION MEETING, BLUE BELL, PA 19422-0568 www.edt.com
SEE BOM ABOVE PER: _____ SPEC: _____	FILE: E2334012CE01	TITLE: CONNECTION DIAGRAM 24V 3X4 AT-23P	SHEET 1 OF 1