

REVISION HISTORY

DATE	REV	DESCRIPTION	BY	CHKD	DATE	APPROVED
	1	REVISION: DIMS 2.5 & 1.5 IN B/W ADDED WEIGHT & FLOOR CONTACT AREA	12272	CHM		<i>[Signature]</i>

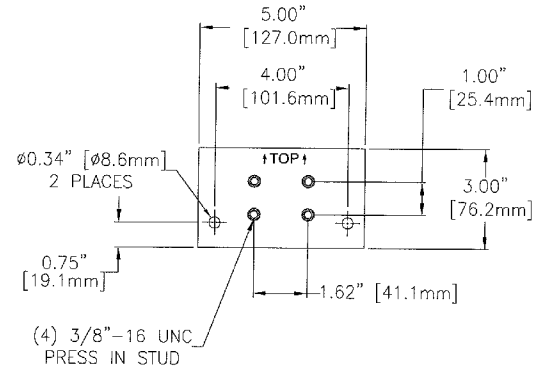
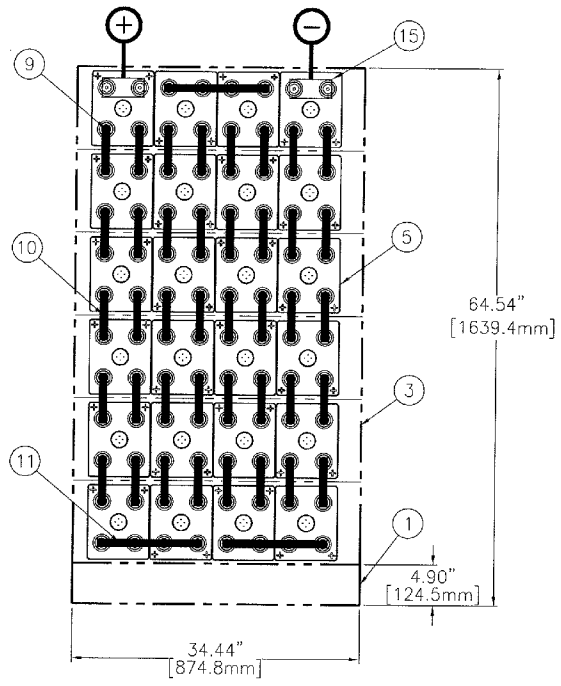
48 VOLT SYSTEM (24) AT-21P CELLS

APPROX. SYSTEM WEIGHT: 4,465 LBS. [2025.2 kg]
FLOOR CONTACT AREA: 74.25 SQ. IN. [47903 mm²]

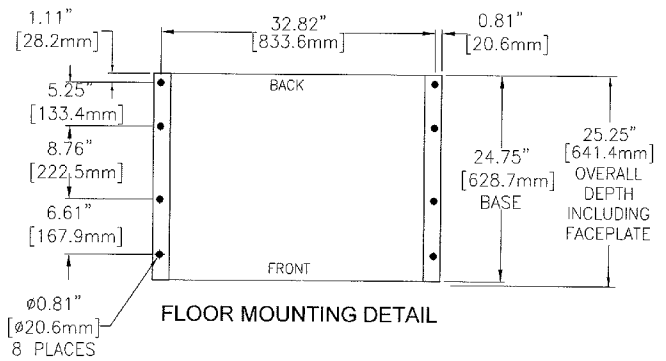


SYSTEM NO. E2146024CE01

ITEM	QTY	PART NO.	DESCRIPTION
20	1	RE04454	ACCESSORY KIT (J29536)
19			
18			
17			
16			
15	2	PT00963T	TERMINAL PLATE (M15923)
14			
13			
12			
11	3	PK04277T	CONNECTOR 1.00 x 12.61 x 0.12
10	40	PK04225T	CONNECTOR 1.00 x 5.94 x 0.12
9	4	HDWR-R11	HARDWARE KIT, CONNECTOR
9.1	96	PB00327	BOLT, HEX 5/16-18 x 1.25 S.S
9.2	96	PH01700	WASHER, FLAT S.S.
8	6	PH04006-34	FACEPLATE (K11056)
7	7	HDWR-R13	HARDWARE KIT, FACEPLATE (J29535)
5	24	CW18150	CELL (N03375)
3	6	RDD4496-34E	MODULE ASSEMBLY KIT (M14111)
1	1	RDD4407-34A	BASE ASSEMBLY KIT (M14028)



TERMINAL PLATE DETAIL
PART NO. PT00963T



FLOOR MOUNTING DETAIL

- NOTES:
1. LOCATE POLARITY OF BATTERIES FOR PROPER ORIENTATION DURING INSTALLATION.
 2. FLOOR MOUNTING (ANCHOR) BOLTS ARE NOT FURNISHED.
 3. INSTALLATION ANCHOR BOLT SIZE AND TYPE ARE TO BE DETERMINED BY USER IN ACCORDANCE WITH BUILDING CODES APPLICABLE TO THE ARRANGEMENT DESCRIBED ON THIS DRAWING.
 4. REFERENCE INSTALLATION MANUAL RS02044 FOR: CONNECTOR TORQUE VALUES, MODULE TO MODULE CONNECTIONS & FACEPLATE MOUNTING DETAILS.
 5. CONNECTORS ARE SIZED TO LESS THAN 30mV DROP AT 409 AMPS (2 HOUR RATE TO 1.75 VPC).

DESIGNED BY A. STOLTZEUS 3/13/08	DATE 3/13/08	 1400 UNION MEETING, BLUE BELL, PA 19422-0686 www.cdtechno.com
CHECKED BY D.L. HUNSTON 3/26/08	DATE 3/26/08	
APPROVED BY J.P. HUNSTON 3/26/08	DATE 3/26/08	CONNECTION DIAGRAM 48V 4X6 AT-21P E2146024CE01
FILE: E2146024CE01	SHEET 1	OF 1