

NOTES: THIS DRAWING AND THE INFORMATION DISCLOSED ON IT ARE CONFIDENTIAL AND PROPRIETARY TO CAD TECHNOLOGIES, INC. AND MAY NOT BE REPRODUCED, COPIED, OR DISCLOSED BY OR TO ANY PERSON OR ENTITY OUTSIDE OF THE COMPANY IN ANY WAY WITHOUT THE WRITTEN PERMISSION OF A DULY AUTHORIZED EMPLOYEE OF THE COMPANY. Copyright © 2008.

REVISION HISTORY						
ZONE	REV	DESCRIPTION	ECN#	REV'D	CHK'D	DATE
	1	UPDATED BOM, ADDED WEIGHT AND FLOOR CONTACT AREA	12322	YH		3/27/08 P. Ralston

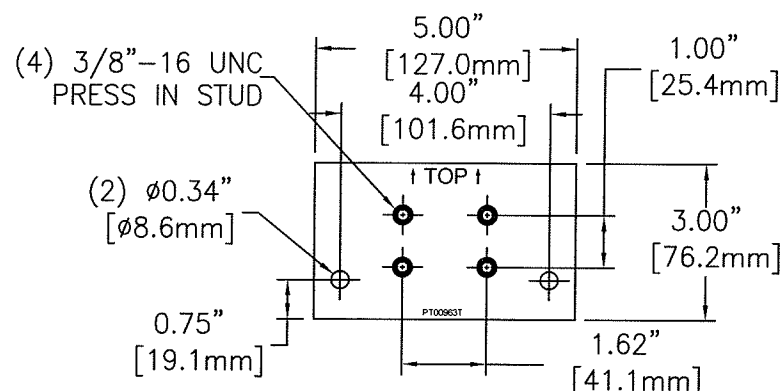
## 24 VOLT SYSTEM (12) AT-21P CELLS

APPROX. SYSTEM WEIGHT: 2,270 LBS. [1,029.6 kg]  
FLOOR CONTACT AREA: 74.25 SQ. IN. [47,903 mm<sup>2</sup>]

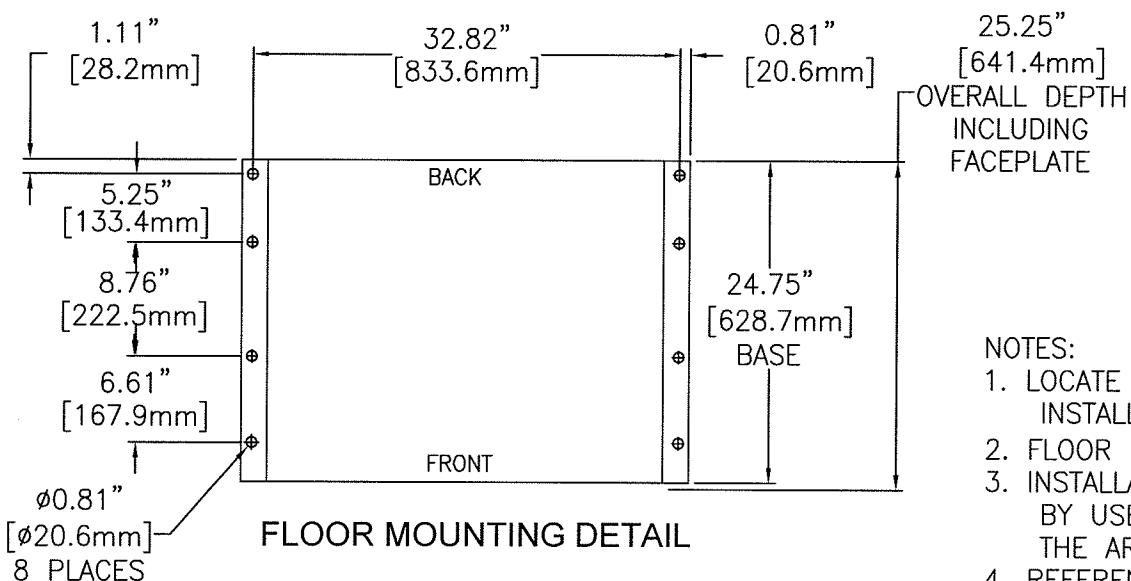
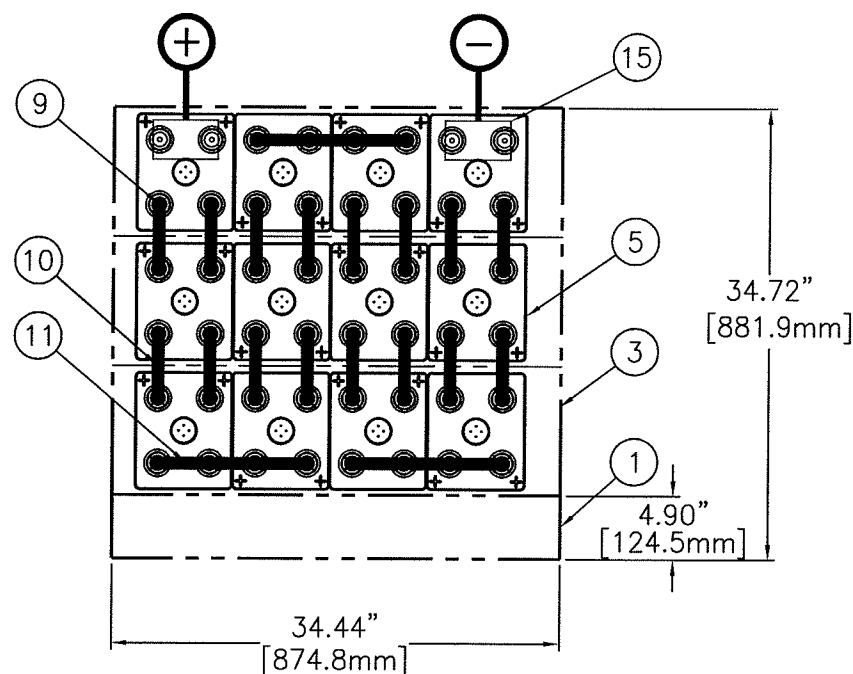
**m-s-endur<sup>II</sup>**

SYSTEM NO. E2143012CE01

20	1	RE04454	ACCESSORY KIT (J29536)
19			
18			
17			
16			
15	2	PT00963T	TERMINAL PLATE (M15923)
14			
13			
12			
11	3	PK04277T	CONNECTOR 1.00 x 12.61 x 0.12
10	16	PK04225T	CONNECTOR 1.00 x 5.94 x 0.12
9	2	HDWR-R11	HARDWARE KIT, CONNECTOR
9.1	48	PB00327	BOLT, HEX 5/16-18 x 1.25 S.S
9.2	48	PH01700	WASHER, FLAT S.S.
8	3	PH04006-34	FACEPLATE (K11056)
7	4	HDWR-R13	HARDWARE KIT, FACEPLATE (J29535)
5	12	CW18150	CELL (N03375)
3	3	RD04496-34E	MODULE ASSEMBLY KIT (M14111)
1	1	RD04407-34A	BASE ASSEMBLY KIT (M14028)
ITEM	QTY	PART NO.	DESCRIPTION



TERMINAL PLATE DETAIL  
PART NO. PT00963T



FLOOR MOUNTING DETAIL

**NOTES:**

- LOCATE POLARITY OF BATTERIES FOR PROPER ORIENTATION DURING INSTALLATION.
- FLOOR MOUNTING (ANCHOR) BOLTS ARE NOT FURNISHED.
- INSTALLATION ANCHOR BOLT SIZE & TYPE ARE TO BE DETERMINED BY USER IN ACCORDANCE WITH BUILDING CODES APPLICABLE TO THE ARRANGEMENT DESCRIBED ON THIS DRAWING.
- REFERENCE INSTALLATION MANUAL RS02044 FOR: CONNECTOR TORQUE VALUES, MODULE TO MODULE CONNECTIONS & FACEPLATE MOUNTING DETAILS.
- CONNECTORS ARE SIZED TO LESS THAN 30mV DROP AT 409 AMPS (2 HOUR RATE TO 1.75 VPC).

UNLESS OTHERWISE SPECIFIED DIMENSIONS ARE IN INCHES & TOLERANCES ARE:		DRAWN	DATE	ALL SHEETS ARE THE SAME REVISION STATUS	
X	FRAMES	A. STOLTZEUS	3/12/08	CAD TECHNOLOGIES, INC.	
.12	ANGLES	CHECKED		1400 UNION MEETING, BLUE BELL, PA 19422-0588	
		C.H. HOUSTON	3/26/08	www.cadtechinc.com	
		APPROVED		TITLE	
		P. RALSTON	3/26/08	CONNECTION DIAGRAM	
				24V 4X3 AT-21P	
				SIZE	SCALE
				DWG NO.	REVISION
				E2143012CE01	1
PER:	SPEC:	FILE:	E2143012CE01	SCALE	NTS
				SHEET	1 OF 1