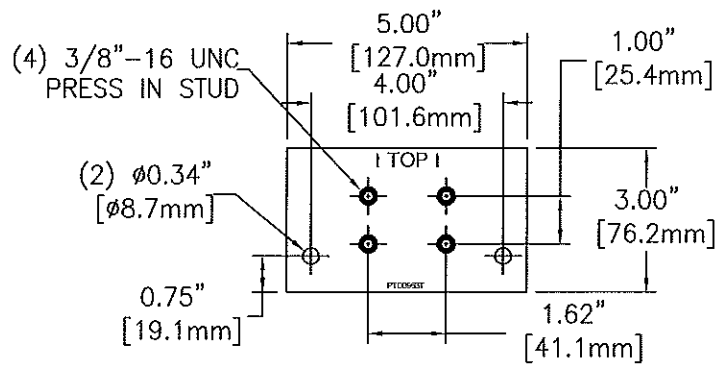
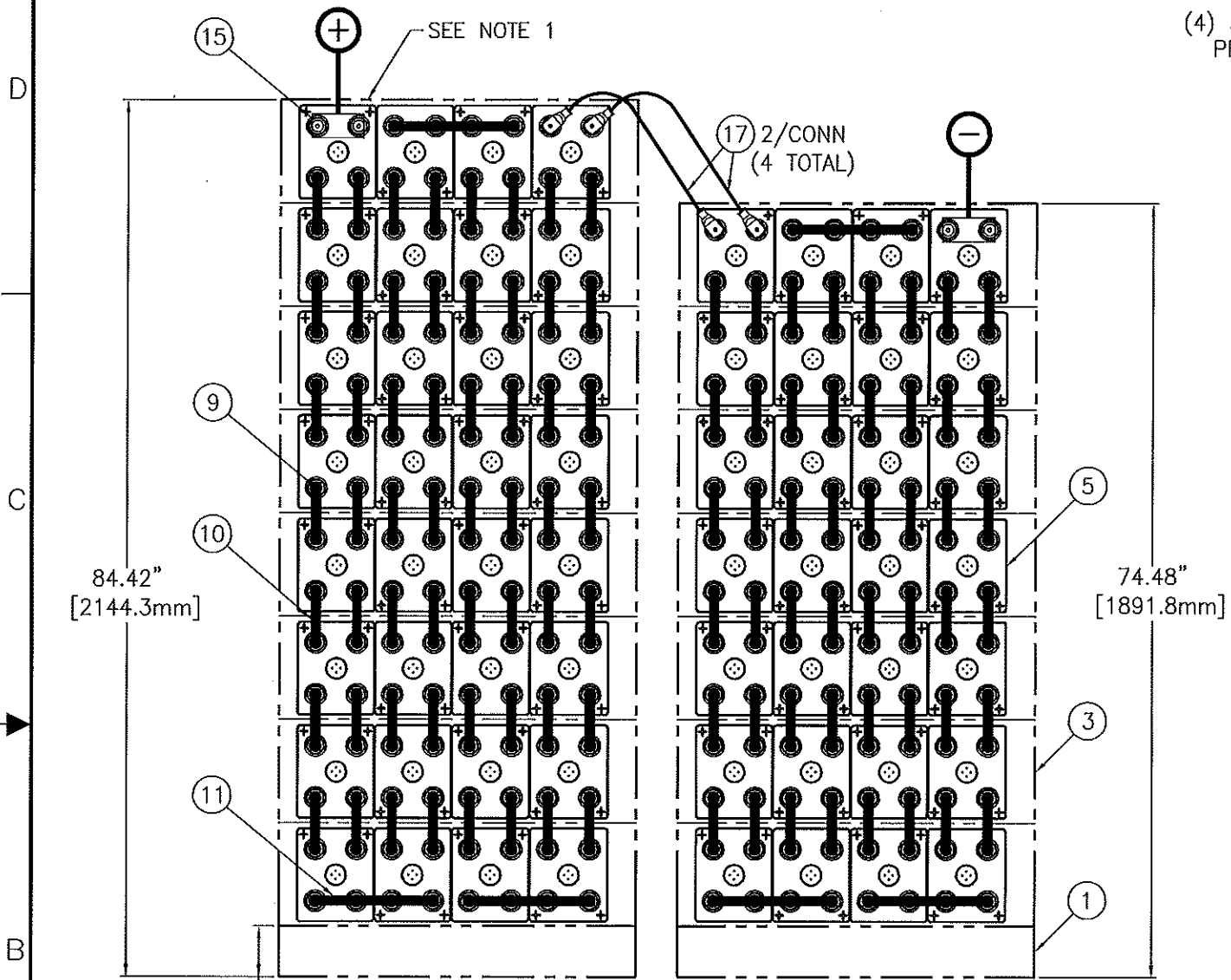


NOTICE: THIS DRAWING AND THE INFORMATION DISCLOSED ON IT ARE CONFIDENTIAL AND PROPRIETARY TO C&D TECHNOLOGIES, INC. AND MAY NOT BE DUPLICATED, REPRODUCED, LOANED OR DISCLOSED BY OR TO ANY PERSON OR PARTY OUTSIDE OF THE COMPANY IN ANY MANNER WITHOUT THE WRITTEN PERMISSION OF A DULY AUTHORIZED EMPLOYEE OF THE COMPANY. Copyright © 2001

REVISION HISTORY						
ZONE	REV	DESCRIPTION	ECH#	REV'D	CHK'D	DATE



TERMINAL PLATE DETAIL  
PART NO. PT00963T

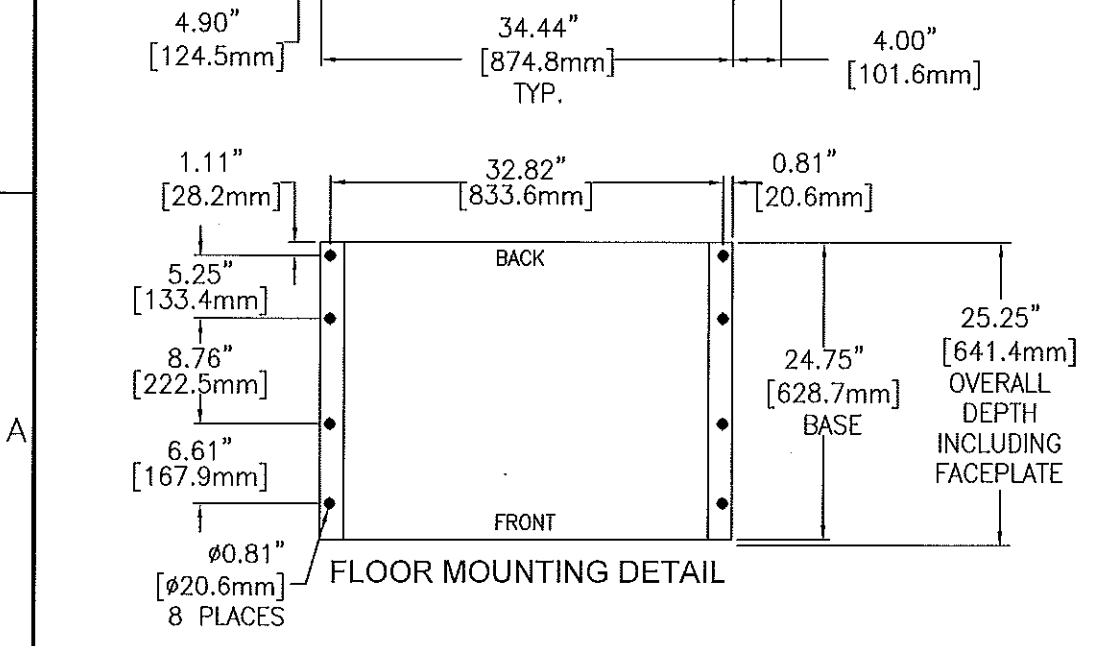
**120/125 VOLT SYSTEM  
(60) AT-19P CELLS**

APPROX. SYSTEM WEIGHT: 10,890 LBS [4,939.6 kg]  
FLOOR CONTACT AREA: .148.50 SQ. IN. [95,806 mm<sup>2</sup>]



SYSTEM NO. E1948060CE01

ITEM	QTY	PART NO.	DESCRIPTION
20	1	RE04455-60	ACCESSORY KIT (J29537)
19			
18			
17	4	RA02250-30	4/0 CABLE 30" LONG
16			
15	2	PT00963T	TERMINAL PLATE (M15923)
14			
13			
12			
11	6	PK04262T	CONNECTOR 1.50 x 12.61 x 0.25
10	104	PK04225T	CONNECTOR 1.00 x 5.94 x 0.12
9	10	HDWR-R11	HARDWARE KIT, CONNECTOR
9.1	240	PB00327	BOLT, HEX 5/16-18 x 1.25 S.S
9.2	240	PH01700	WASHER, FLAT S.S.
8	15	PH04006-34	FACEPLATE (K11056)
7	17	HDWR-R13	HARDWARE KIT, FACEPLATE (J29535)
5	60	CW18350	CELL (N03375)
3	15	RD04496-34E	MODULE ASSEMBLY KIT (M14111)
1	2	RD04407-34A	BASE ASSEMBLY KIT (M14028)



- NOTES:**
1. LOCATE POLARITY OF BATTERIES FOR PROPER ORIENTATION DURING INSTALLATION.
  2. FLOOR MOUNTING (ANCHOR) BOLTS ARE NOT FURNISHED.
  3. INSTALLATION ANCHOR BOLT SIZE AND TYPE ARE TO BE DETERMINED BY USER IN ACCORDANCE WITH BUILDING CODES APPLICABLE TO THE ARRANGEMENT DESCRIBED ON THIS DRAWING.
  4. REFERENCE INSTALLATION MANUAL RS02044 FOR: CONNECTOR TORQUE VALUES, MODULE TO MODULE CONNECTIONS & FACEPLATE MOUNTING DETAILS.
  5. CONNECTORS AND CABLES ARE SIZED TO THE 1 MIN RATE TO 1.75 FINAL VPC AT 1191.9 AMPS. CONNECTORS RESULT IN LESS THAN 30mV DROP AND CABLES RESULT IN LESS THAN 100mV DROP.

<small>UNLESS OTHERWISE SPECIFIED DIMENSIONS ARE IN INCHES &amp; DECIMALS OF AN INCH</small> CHECKED: [Signature] DATE: 10/21/15 DRAWN: Y. HODGES DATE: 11/17/15 THIRD ANGLE PROJECTION MATERIAL: SEE BOM ABOVE PER: SPEC: FILE: E1948060CE01	<small>ALL SHEETS ARE THE SAME REVISION STATUS</small> <b>C&amp;D TECHNOLOGIES, INC.</b> 1400 UNION MEETING, BLUE BELL, PA 19422-0588 www.cdtechn.com TITLE: CONNECTION DIAGRAM 120V 4X8 AT-19P SIZE: D CASE CODE: E1948060CE01 REVISION: 0 SCALE: NTS SHEET 1 OF 1 12/2000
--	--