

NOTICE: THIS DRAWING AND THE INFORMATION DISCLOSED ON IT ARE CONFIDENTIAL AND PROPRIETARY TO CAD TECHNOLOGIES, INC. AND MAY NOT BE REPRODUCED, COPIED, OR DISCLOSED BY OR TO ANY PERSON OR PARTY OUTSIDE OF THE COMPANY IN ANY MANNER WITHOUT THE WRITTEN PERMISSION OF A QUALIFIED EMPLOYEE OF THE COMPANY. Copyright © 2004

ECN14044

REVISION HISTORY						
ZONE	REV	DESCRIPTION	ECN#	REV'D	CHK'D	DATE

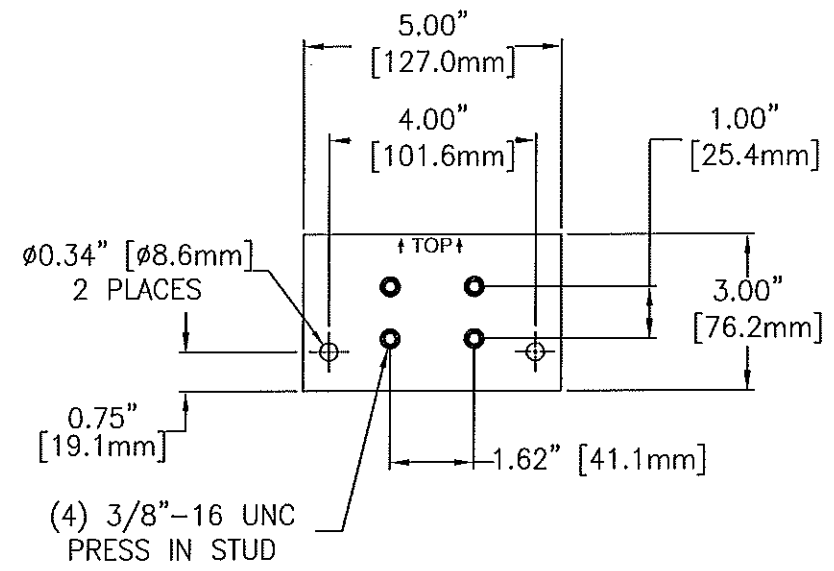
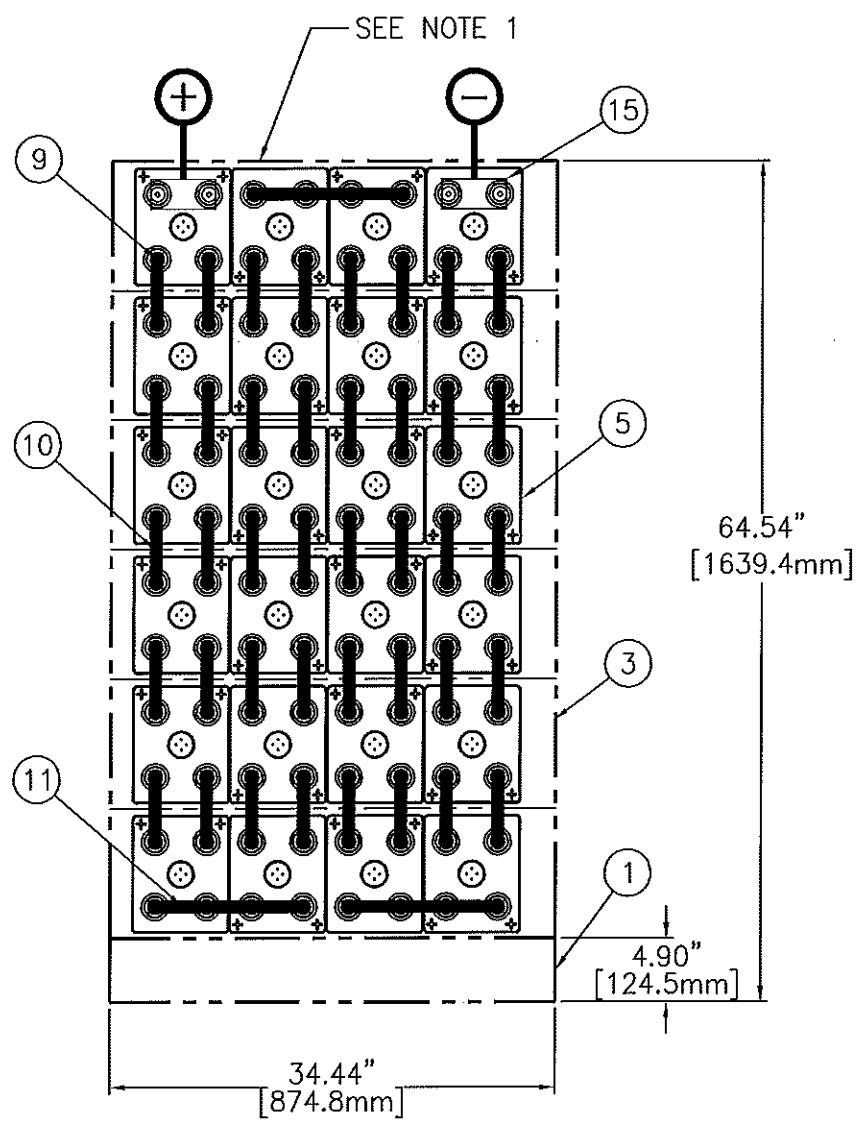
48 VOLT SYSTEM (24) AT-19P CELLS

APPROX. SYSTEM WEIGHT: 4,370 LBS [1,982.2 kg]
FLOOR CONTACT AREA: 74.25 SQ. IN [47,903 mm²]

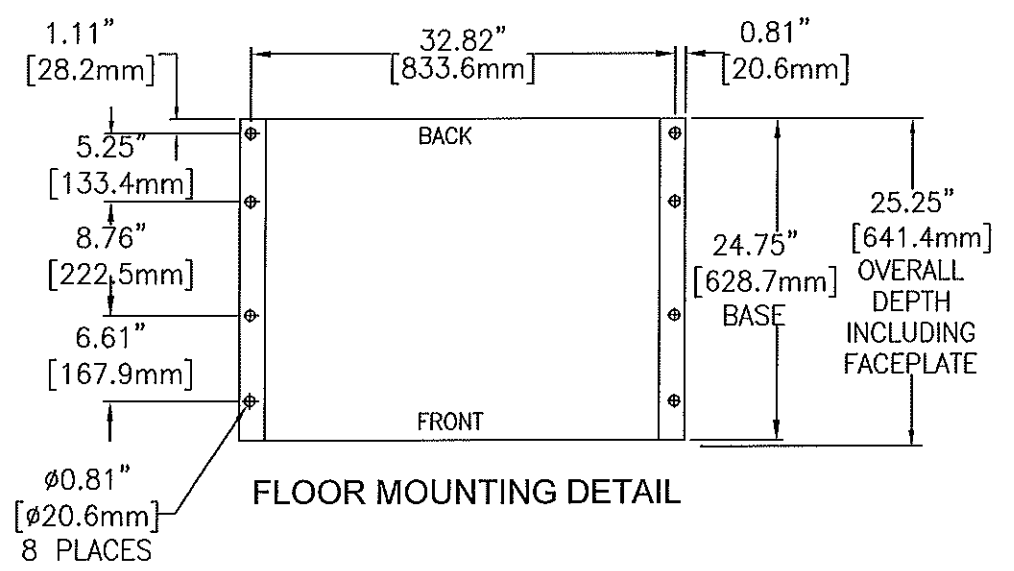


SYSTEM NO. E1946024CE01

20	1	RE04454	ACCESSORY KIT (J29536)
19			
18			
17			
16			
15	2	PT00963T	TERMINAL PLATE (M15923)
14			
13			
12			
11	3	PK04277T	CONNECTOR 1.00 x 12.61 x 0.12
10	40	PK04225T	CONNECTOR 1.00 x 5.94 x 0.12
9	4	HDWR-R11	HARDWARE KIT, CONNECTOR
9.1	96	PB00327	BOLT, HEX 5/16-18 x 1.25 S.S.
9.2	96	PH01700	WASHER, FLAT S.S.
8	6	PH04006-34	FACEPLATE (K11056)
7	7	HDWR-R13	HARDWARE KIT, FACEPLATE (J29535)
5	24	CW18350	CELL (N03375)
3	6	RD04496-34E	MODULE ASSEMBLY KIT (M14111)
1	1	RD04407-34A	BASE ASSEMBLY KIT (M14028)
ITEM	QTY	PART NO.	DESCRIPTION



TERMINAL PLATE DETAIL
PART NO. PT00963T



FLOOR MOUNTING DETAIL

- NOTES:
- LOCATE POLARITY OF BATTERIES FOR PROPER ORIENTATION DURING INSTALLATION.
 - FLOOR MOUNTING (ANCHOR) BOLTS ARE NOT FURNISHED.
 - INSTALLATION ANCHOR BOLT SIZE AND TYPE ARE TO BE DETERMINED BY USER IN ACCORDANCE WITH BUILDING CODES APPLICABLE TO THE ARRANGEMENT DESCRIBED ON THIS DRAWING.
 - REFERENCE INSTALLATION MANUAL RS02044 FOR: CONNECTOR TORQUE VALUES, MODULE TO MODULE CONNECTIONS & FACEPLATE MOUNTING DETAILS.
 - CONNECTORS ARE SIZED TO LESS THAN 30mV DROP AT 382.8 AMPS (2 HOUR RATE TO 1.75 VPC).

ALL SHEETS ARE THE SAME REVISION STATUS

CAD TECHNOLOGIES, INC.
1400 UNION MEETING, BLUE BELL, PA 19422-0588
www.cadtechno.com

DATE: 10/13/14
DRAWN: M. NEESE
CHECKED: J. NEESE
APPROVED: J. NEESE
THIRD ANGLE PROJECTION

CONNECTION DIAGRAM
48V 4X6 AT-19P

SIZE: D
SCALE: NTS
SHEET 1 OF 1

FILE: E1946024CE01