

REVISION HISTORY						
ZONE	REV	DESCRIPTION	ECH	REV'D	CHK'D	DATE

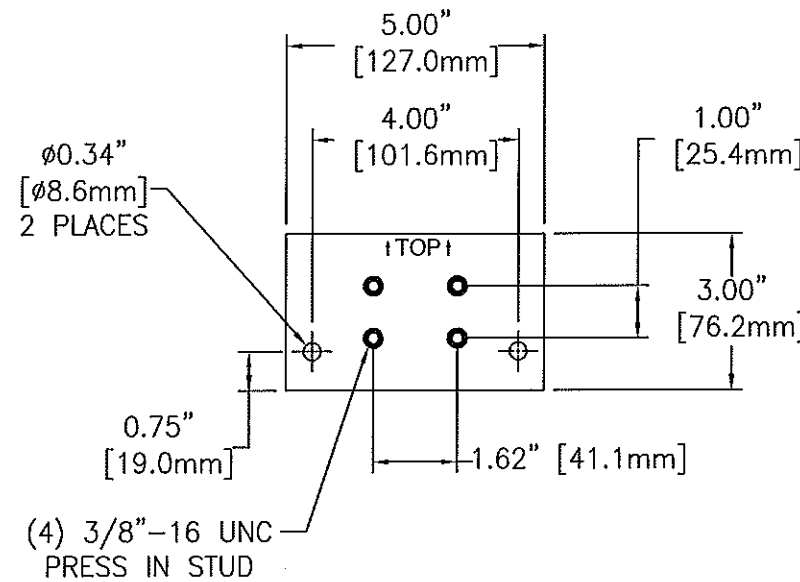
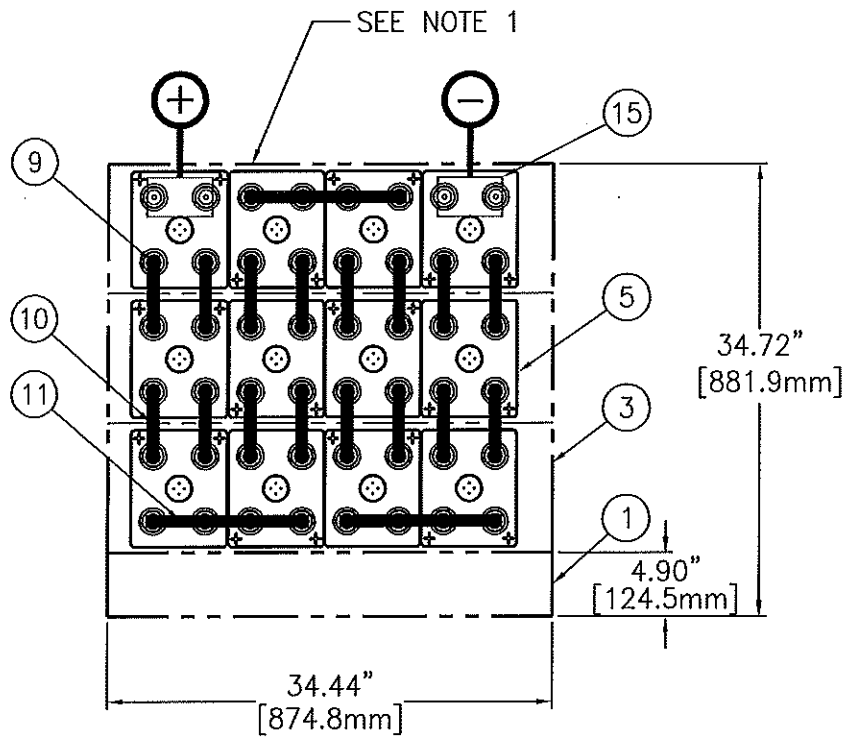
### 24 VOLT SYSTEM (12) AT-19P CELLS

APPROX SYSTEM WEIGHT: 2,220 LBS. [1,007.0 kg]  
FLOOR CONTACT AREA: 74.25 SQ. IN. [47903 mm<sup>2</sup>]

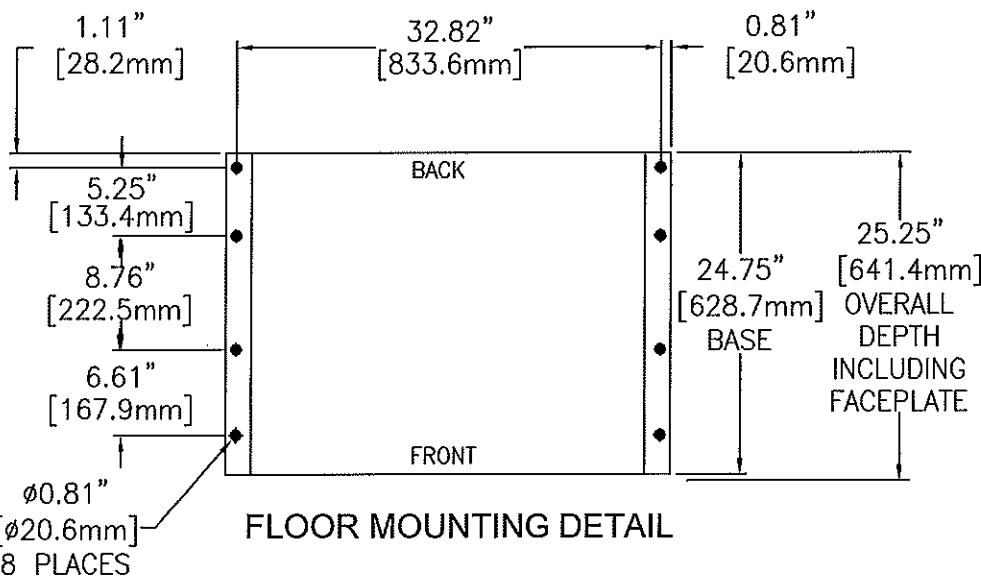


SYSTEM NO. E1943012CE01

20	1	RE04454	ACCESSORY KIT (J29536)
19			
18			
17			
16			
15	2	PT00963T	TERMINAL PLATE (M15923)
14			
13			
12			
11	3	PK04277T	CONNECTOR 1.00 x 12.61 x 0.12
10	16	PK04225T	CONNECTOR 1.00 x 5.94 x 0.12
9	2	HDWR-R11	HARDWARE KIT, CONNECTOR
9.1	48	PB00327	BOLT, HEX 5/16-18 x 1.25 S.S
9.2	48	PH01700	WASHER, FLAT S.S.
8	3	PH04006-34	FACEPLATE (K11056)
7	4	HDWR-R13	HARDWARE KIT, FACEPLATE (J29535)
5	12	CW18350	CELL (N03375)
3	3	RD04496-34E	MODULE ASSEMBLY KIT (M14111)
1	1	RD04407-34A	BASE ASSEMBLY KIT (M14028)
ITEM	QTY	PART NO.	DESCRIPTION



TERMINAL PLATE DETAIL  
PART NO. PT00963T



FLOOR MOUNTING DETAIL

NOTES:

1. LOCATE POLARITY OF BATTERIES FOR PROPER ORIENTATION DURING INSTALLATION.
2. FLOOR MOUNTING (ANCHOR) BOLTS ARE NOT FURNISHED.
3. INSTALLATION ANCHOR BOLT SIZE & TYPE ARE TO BE DETERMINED BY USER IN ACCORDANCE WITH BUILDING CODES APPLICABLE TO THE ARRANGEMENT DESCRIBED ON THIS DRAWING.
4. REFERENCE INSTALLATION MANUAL RS02044 FOR: CONNECTOR TORQUE VALUES, MODULE TO MODULE CONNECTIONS & FACEPLATE MOUNTING DETAILS.
5. CONNECTORS ARE SIZED TO LESS THAN 30mV DROP AT 382.8 AMPS (2 HOUR RATE TO 1.75 VPC).

ALL SHEETS ARE THE SAME REVISION STATUS

**CD TECHNOLOGIES, INC.**  
1400 UNION MEETING, BLUE BELL, PA 19422-0588  
www.cdtechno.com

DATE: 10/13/14  
DRAWN BY: J. NEESE  
CHECKED BY: [Signature]  
APPROVED BY: [Signature]

THIRD ANGLE PROJECTION

SEE BOM ABOVE

PER: SPEC: FILE: E1943012CE01

SCALE: NTS SHEET 1 OF 1

SIZE: D CASE CODE: E1943012CE01 REVISION: 0

12/2000