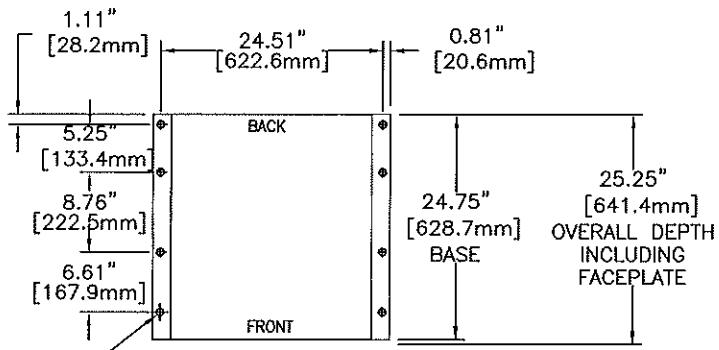
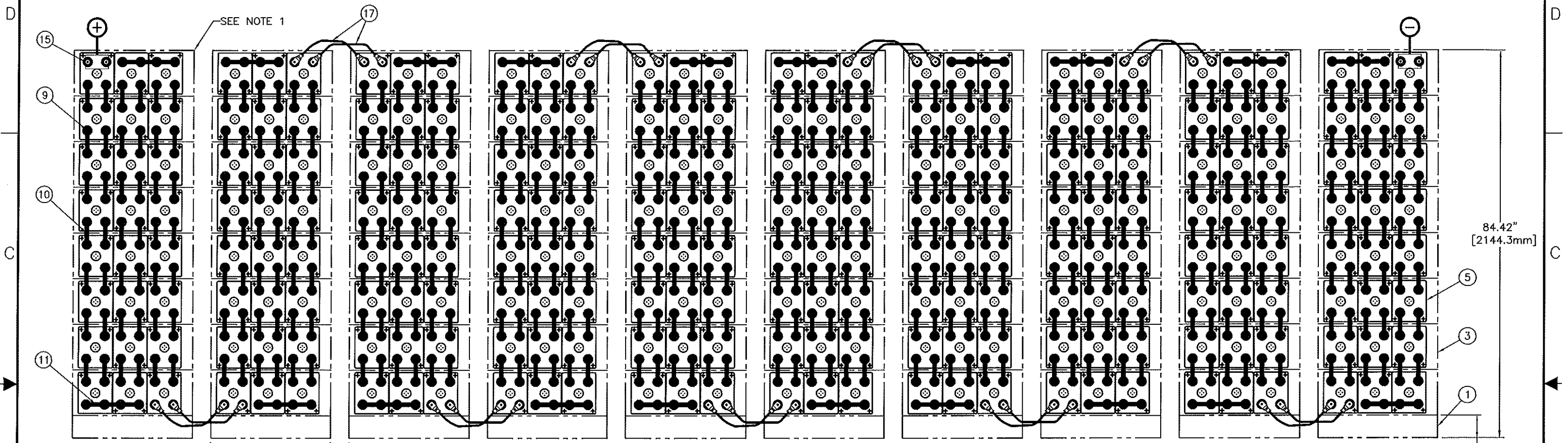


NOTICE: THIS DRAWING AND THE INFORMATION DISCLOSED ON IT ARE CONFIDENTIAL AND PROPRIETARY TO C&D TECHNOLOGIES, INC. AND MAY NOT BE REPRODUCED, REPROCESSED, USED OR DISCLOSED BY OR TO ANY PERSON OR PARTY OUTSIDE OF THE COMPANY IN ANY WAY WITHOUT THE WRITTEN PERMISSION OF A DULY AUTHORIZED EMPLOYEE OF THE COMPANY. Copyright © 2014

REVISION HISTORY						
ZONE	REV	DESCRIPTION	ECH#	REV'D	CHK'D	DATE



FLOOR MOUNTING DETAIL

∅0.81" [∅20.6mm]
8 PLACES

- NOTES:
1. LOCATE POLARITY OF BATTERIES FOR PROPER ORIENTATION DURING INSTALLATION.
 2. FLOOR MOUNTING (ANCHOR) BOLTS ARE NOT FURNISHED.
 3. INSTALLATION ANCHOR BOLT SIZE & TYPE ARE TO BE DETERMINED BY USER IN ACCORDANCE WITH BUILDING CODES APPLICABLE TO THE ARRANGEMENT DESCRIBED ON THIS DRAWING.
 4. REFERENCE INSTALLATION MANUAL RS02044 FOR: CONNECTOR TORQUE VALUES, MODULE TO MODULE CONNECTIONS & FACEPLATE MOUNTING DETAILS.
 5. CONNECTORS AND CABLES ARE SIZED TO THE 15 MIN RATE TO 1.67 FINAL VPC AT 1150.9 AMPS. CONNECTORS RESULT IN <30mV DROP AND CABLES RESULT IN <100mV DROP.

UNLESS OTHERWISE SPECIFIED DIMENSIONS ARE IN INCHES & FRACTIONS ON		DATE	ALL SHEETS ARE THE SAME REVISION STATUS	
DESIGNED BY	Y. HODGES	4/24/15	 1400 UNION MEETING, BLUE BELL, PA 19422-0588 www.cdtechno.com	
CHECKED BY	[Signature]	4/24/15		
THIRD ANGLE PROJECTION	APPROVED BY	[Signature]	TITLE: CONNECTION DIAGRAM 480V 3X8 AT-19P	
MATERIAL			SIZE	0
			DWG NUMBER	E1938240CE01
			SCALE	NTS
			SHEET	1 OF 2

NOTE: THIS DRAWING AND THE INFORMATION ENCLOSED ON IT ARE CONFIDENTIAL AND PROPRIETARY TO C&D TECHNOLOGIES, INC. AND MAY NOT BE DUPLICATED, REPRODUCED, USED OR DISCLOSED BY OR TO ANY PERSON OR PARTY OUTSIDE OF THE COMPANY IN ANY WAY WITHOUT THE WRITTEN PERMISSION OF A DULY AUTHORIZED EMPLOYEE OF THE COMPANY. COPYRIGHT © 2004

ECN#14168

REVISION HISTORY							
ZONE	REV	DESCRIPTION	ECN#	REV'D	CHK'D	DATE	APPROVED

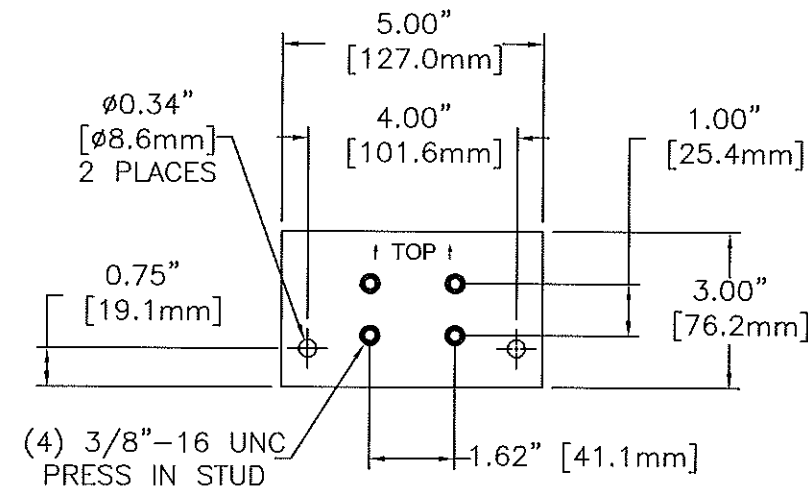
480 VOLT SYSTEM (240) AT-19P CELLS

APPROX SYSTEM WEIGHT: 44,280 LBS [20,085.1 kg.]
FLOOR CONTACT AREA: 742.5 SQ. IN. [479,031 mm²]



SYSTEM NO. E1938240CE01

20	1	RE04455-240	ACCESSORY KIT (J29537)
19			
18			
17	18	RA02250-21	4/0 CABLE 21" LONG
16			
15	2	PT00963T	TERMINAL PLATE (M15923)
14			
13			
12			
11	20	PK04262T	CONNECTOR 1.50 x 12.61 x 0.25
10	420	PK04225T	CONNECTOR 1.00 x 5.94 x 0.12
9	39	HDWR-R11	HARDWARE KIT, CONNECTOR
9.1	960	PB00327	BOLT, HEX 5/16-18 x 1.25 S.S
9.2	960	PH01700	WASHER, FLAT S.S.
8	80	PH04006-26	FACEPLATE (K11056)
7	90	HDWR-R13	HARDWARE KIT, FACEPLATE (J29535)
5	240	CW18350	CELL (N03375)
3	80	RD04496P-26E	MODULE ASSEMBLY KIT (M14111)
1	10	RD04407-26A	BASE ASSEMBLY KIT (M14028)
ITEM	QTY	PART NO.	DESCRIPTION



TERMINAL PLATE DETAIL
PART NO. PT00963T

UNLESS OTHERWISE SPECIFIED DIMENSIONS ARE IN INCHES & TOLERANCES ARE:		DRAWN Y. HODGINS	DATE 1/24/15		
Y	XX	XX	XX	1400 UNION MEETING, BLUE BELL, PA 19422-0588 www.cdtechna.com	
THIRD ANGLE PROJECTION		APPROVED [Signature]	DATE 1/24/15	TITLE CONNECTION DIAGRAM 480V 3X8 AT-19P	
SEE BOM ABOVE				SIZE D	REVISION 0
FILE: E1938240CE01B		SCALE NTS		SHEET 2 OF 2	