

NOTES: THE DRAWING AND THE INFORMATION PROVIDED ON IT ARE CONSIDERED AND APPROVED BY THE DRAWING ENGINEER, AND THE INFORMATION IS NOT TO BE USED FOR ANY OTHER PURPOSES WITHOUT THE WRITTEN PERMISSION OF THE DRAWING ENGINEER. THE USER OF THIS DRAWING IS TO BE RESPONSIBLE FOR THE PROPER USE OF THE INFORMATION PROVIDED ON IT.

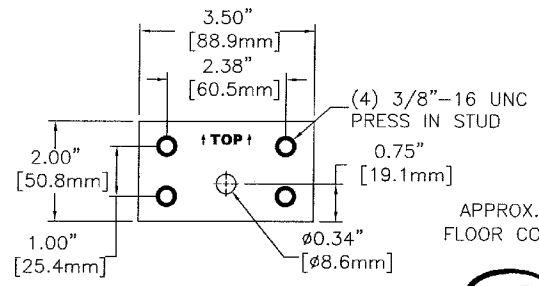
REVISION HISTORY						
ZONE	REV	DESCRIPTION	ENGR	REV'D	CHK'D	DATE
1	1	ISSUED FOR THE 120V TO 125V SYSTEM				11/14/08

### 120/125 VOLT SYSTEM (60) AT-17P CELLS

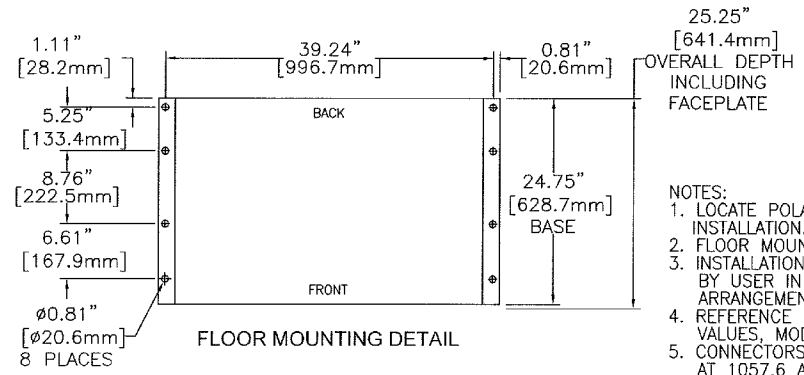
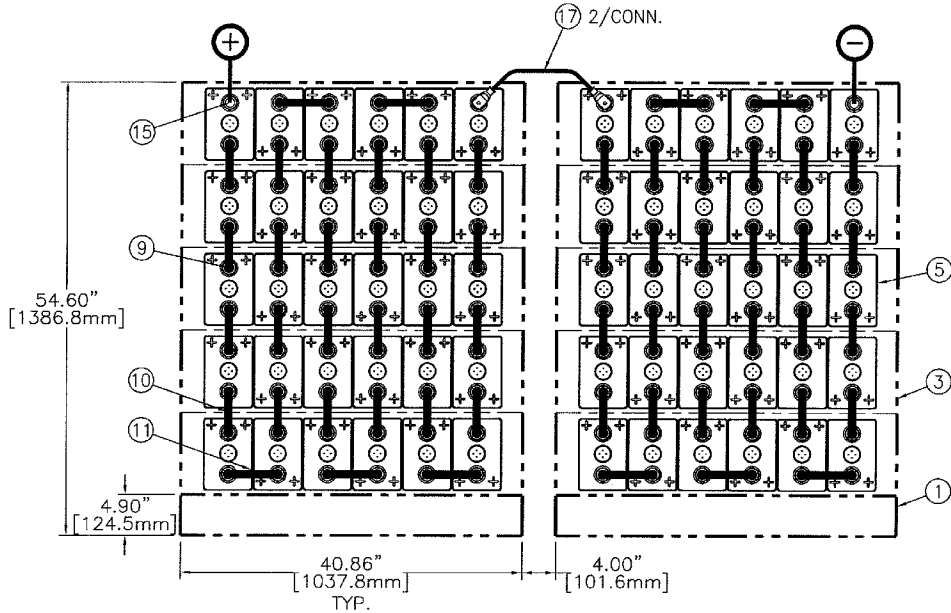
APPROX. SYSTEM WEIGHT: 8800 LBS. [3991.6 kg.]  
FLOOR CONTACT AREA: 148.50 SQ. IN. [95,806 mm<sup>2</sup>]

**ms-entur**  
SYSTEM NO. E1765060CE01

ITEM	QTY	PART NO.	DESCRIPTION
20	1	RE04455-60	ACCESSORY KIT (J29537)
19			
18			
17	2	RA02250-21	4/0 CABLE 21" LONG
16			
15	2	PT00962T	TERMINAL PLATE (M15923)
14			
13			
12			
11	10	PK04276T	CONNECTOR 1.50 x 7.12 x 0.18
10	48	PK04097T	CONNECTOR 1.50 x 5.96 x 0.12
9	5	HDWR-R11	HARDWARE KIT, CONNECTOR
9.1	120	PB00327	BOLT, HEX 5/16-18 x 1.25 S.S
9.2	120	PH01700	WASHER, FLAT S.S.
8	10	PH04006-40	FACEPLATE (K11056)
7	12	HDWR-R13	HARDWARE KIT, FACEPLATE (J29535)
5	60	CW18149	CELL (N03375)
3	10	RD04496-40D	MODULE ASSEMBLY KIT (M14111)
1	2	RD04407-40A	BASE ASSEMBLY KIT (M14028)



TERMINAL PLATE DETAIL  
PART NO. PT00962T



- NOTES:
1. LOCATE POLARITY OF BATTERIES FOR PROPER ORIENTATION DURING INSTALLATION.
  2. FLOOR MOUNTING (ANCHOR) BOLTS ARE NOT FURNISHED.
  3. INSTALLATION ANCHOR BOLT SIZE AND TYPE ARE TO BE DETERMINED BY USER IN ACCORDANCE WITH BUILDING CODES APPLICABLE TO THE ARRANGEMENT DESCRIBED ON THIS DRAWING.
  4. REFERENCE INSTALLATION MANUAL RS02044 FOR: CONNECTOR TORQUE VALUES, MODULE TO MODULE CONNECTIONS & FACEPLATE MOUNTING DETAILS.
  5. CONNECTORS AND CABLES ARE SIZED TO THE 1 MIN. RATE AT 1.75 VDC AT 1057.6 AMPS. CONNECTORS RESULT IN <30mV DROP AND CABLES RESULT IN <100mV DROP.

CHECKS OTHER THAN SPECIFIED DRAWING: [ ] CHECKED: [ ] APPROVED: [ ] DATE: 7/20/08	DATE: 7/20/08 CHECKED: 7/20/08 APPROVED: 8/2/08	<b>ENTUR TECHNOLOGIES, INC.</b> 1400 UNION MEETING, BLUE BELLE, PA 15422-0500 www.entur.com
CONNECTION DIAGRAM 120/125V 6XS AT-17P		DRAWING NUMBER: E1765060CE01 SHEET 1 OF 1