

NOTICE: THIS DRAWING AND THE INFORMATION DISCLOSED ON IT ARE CONFIDENTIAL AND PROPRIETARY TO CAD TECHNOLOGIES, INC. AND MAY NOT BE DUPLICATED, REPRODUCED, USED OR DISCLOSED BY OR TO ANY PERSON OR PARTY OUTSIDE OF THE COMPANY IN ANY WAY WITHOUT THE WRITTEN PERMISSION OF A DULY AUTHORIZED EMPLOYEE OF THE COMPANY. Copyright © 2004.

ECN#12379

REVISION HISTORY						
ZONE	REV	DESCRIPTION	ECN#	REV'D	CHK'D	DATE

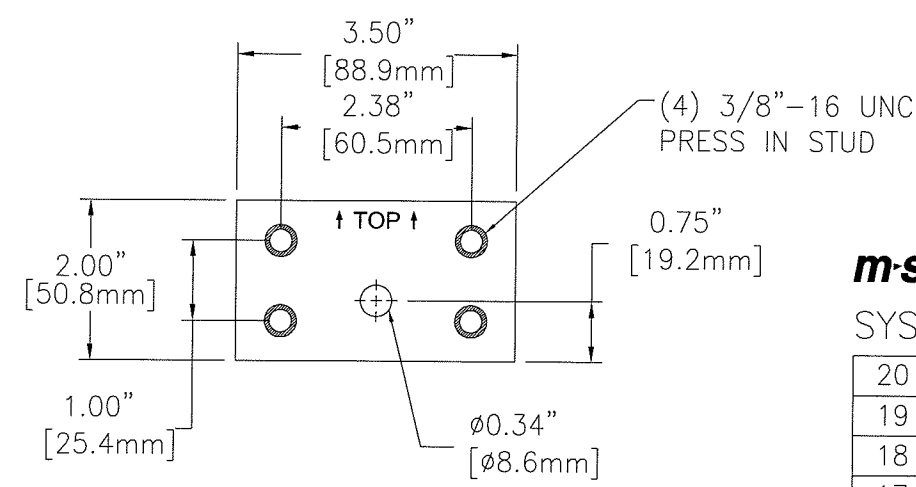
120/125 VOLT SYSTEM (60) AT-17P CELLS

APPROX. SYSTEM WEIGHT: 8,975 LBS. [4070.9 kg.]
FLOOR CONTACT AREA: 148.5 SQ. IN. [95,806 mm²]

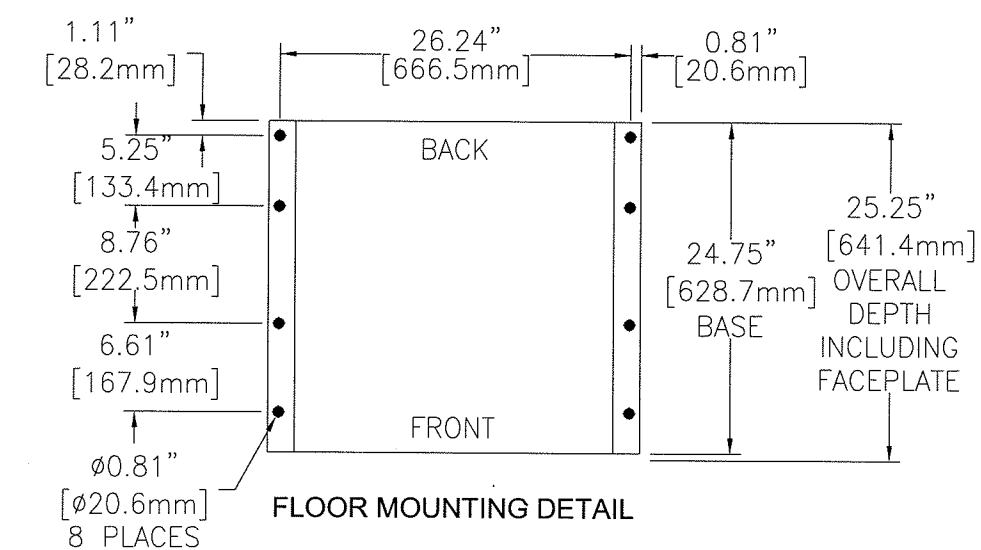
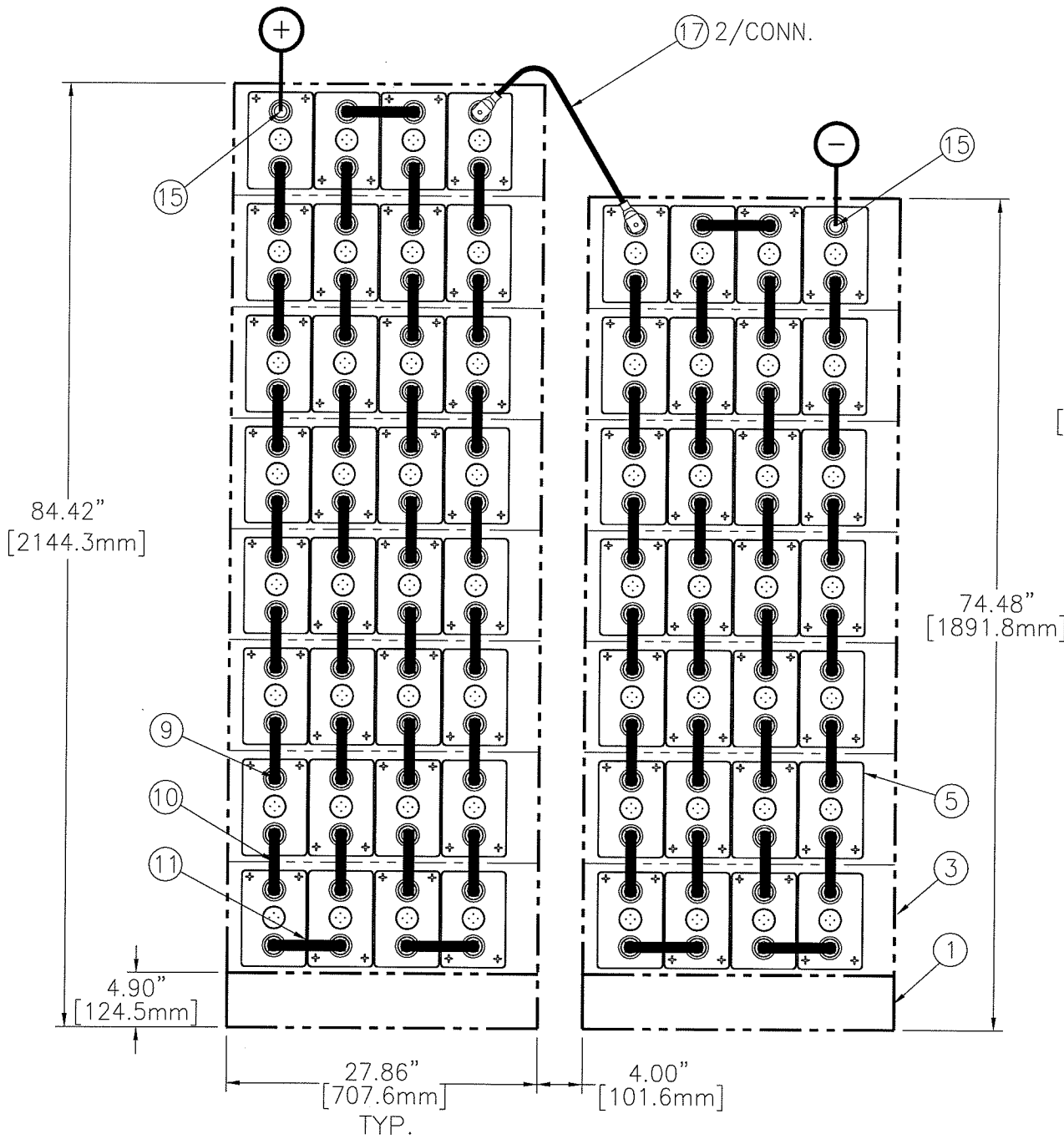


SYSTEM NO. E1748060CE01

20	1	RE04455-60	ACCESSORY KIT (J29537)
19			
18			
17	2	RA02250-30	4/0 CABLE 30" LONG
16			
15	2	PT00962T	TERMINAL PLATE (M15923)
14			
13			
12			
11	6	PK04276T	CONNECTOR 1.50 X 7.12 X 0.19
10	52	PK04097T	CONNECTOR 1.50 x 5.96 x 0.25
9	5	HDWR-R11	HARDWARE KIT, CONNECTOR
9.1	120	PB00327	BOLT, HEX 5/16-18 x 1.25 S.S
9.2	120	PH01700	WASHER, FLAT S.S.
8	15	PH04006-27	FACEPLATE (K11056)
7	17	HDWR-R13	HARDWARE KIT, FACEPLATE (J29535)
5	60	CW18149	CELL (N03375)
3	15	RD04496-27D	MODULE ASSEMBLY KIT (M14111)
1	2	RD04407-27A	BASE ASSEMBLY KIT (M14028)
ITEM	QTY	PART NO.	DESCRIPTION



TERMINAL PLATE DETAIL
PART NO. PT00962T



FLOOR MOUNTING DETAIL

NOTES:

- LOCATE POLARITY OF BATTERIES FOR PROPER ORIENTATION DURING INSTALLATION.
- FLOOR MOUNTING (ANCHOR) BOLTS ARE NOT FURNISHED.
- INSTALLATION ANCHOR BOLT SIZE AND TYPE ARE TO BE DETERMINED BY USER IN ACCORDANCE WITH BUILDING CODES APPLICABLE TO THE ARRANGEMENT DESCRIBED ON THIS DRAWING.
- REFERENCE INSTALLATION MANUAL RS02044 FOR: CONNECTOR TORQUE VALUES, MODULE TO MODULE CONNECTIONS & FACEPLATE MOUNTING DETAILS.
- CONNECTORS ARE SIZED TO LESS THAN 30mV DROP AT 1057.6 AMPS (1 MIN. RATE TO 1.75 VPC).

UNLESS OTHERWISE SPECIFIED DIMENSIONS ARE IN INCHES & TOLERANCES ARE:		DRAWN R. DAVEY	DATE 2/6/09
X .12"	XXX .005"	CHECKED [Signature]	APPROVED [Signature]
THIRD ANGLE PROJECTION		MATERIAL SEE BOM ABOVE	
PER:	SPEC:	FILE: E1748060CE01	SCALE NTS

ALL SHEETS ARE THE SAME REVISION STATUS

CAD TECHNOLOGIES, INC.
1400 UNION MEETING, BLUE BELL, PA 19422-0588
www.cadtechno.com

TITLE: CONNECTION DIAGRAM
120/125V 4X8 AT-17P

SIZE: D
DRAWING NUMBER: E1748060CE01
REVISION: 0

SHEET 1 OF 1