

NOTICE: THIS DRAWING AND THE INFORMATION DISCLOSED ON IT ARE CONFIDENTIAL AND PROPRIETARY TO CAD TECHNOLOGIES, INC. AND MAY NOT BE REPRODUCED, COPIED, OR DISCLOSED BY OR TO ANY PERSON OR PARTY OUTSIDE OF THE COMPANY IN ANY WAY WITHOUT THE WRITTEN PERMISSION OF A DULY AUTHORIZED EMPLOYEE OF THE COMPANY. Copyright © 2004.

REVISION HISTORY						
ZONE	REV	DESCRIPTION	ECN#	REV'D	CHK'D	DATE
	1	REVISED ITEMS 7, 9 & 15 IN B/M. ADDED WEIGHT & FLOOR CONTACT AREA	12256	CHH	✓	10/14/08

ECN#12038

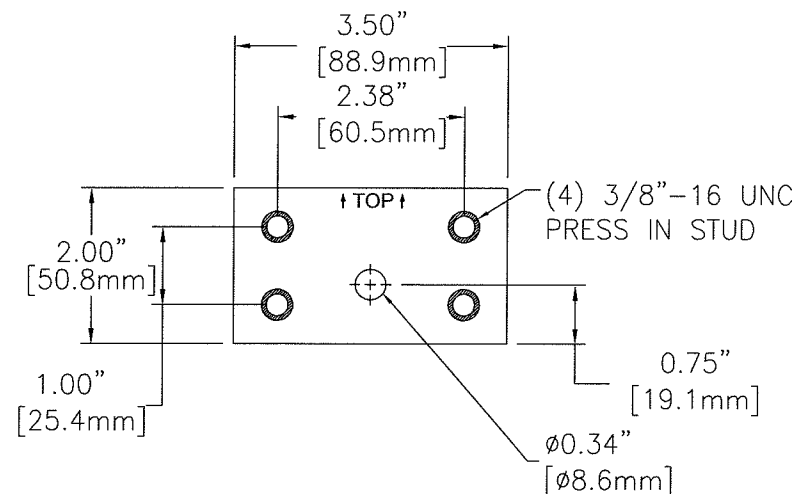
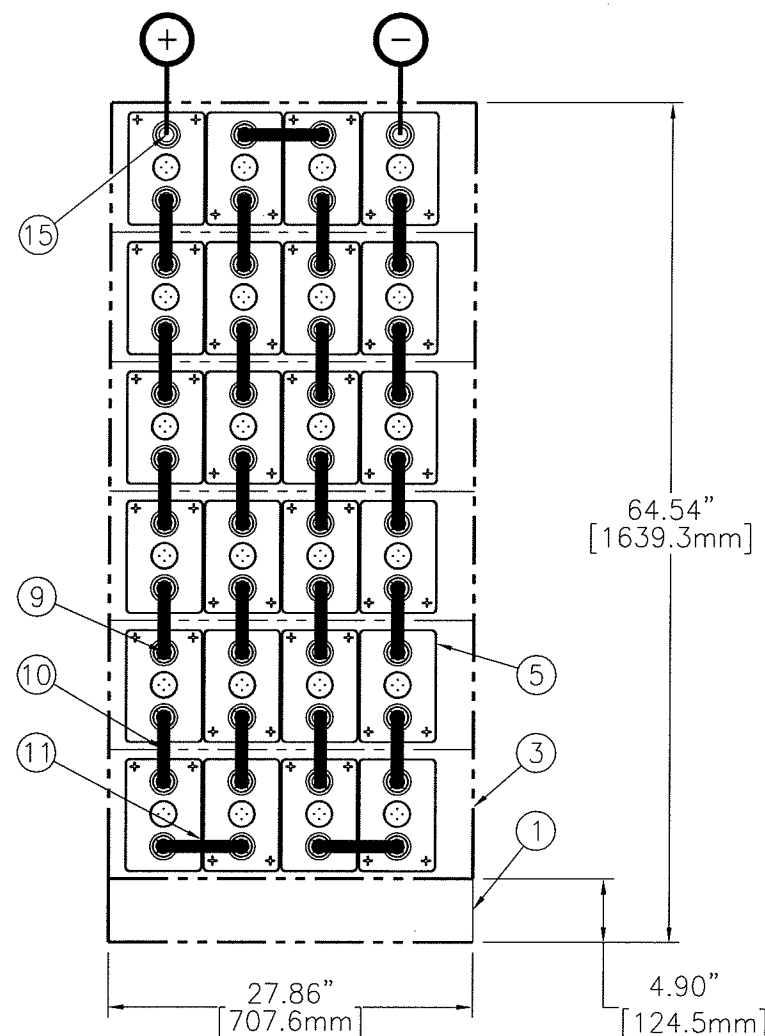
48 VOLT SYSTEM (24) AT-17P CELLS

APPROX. SYSTEM WEIGHT: 3,605 LBS. [1635.2 kg]
FLOOR CONTACT AREA: 74.25 SQ. IN. [47903 mm²]

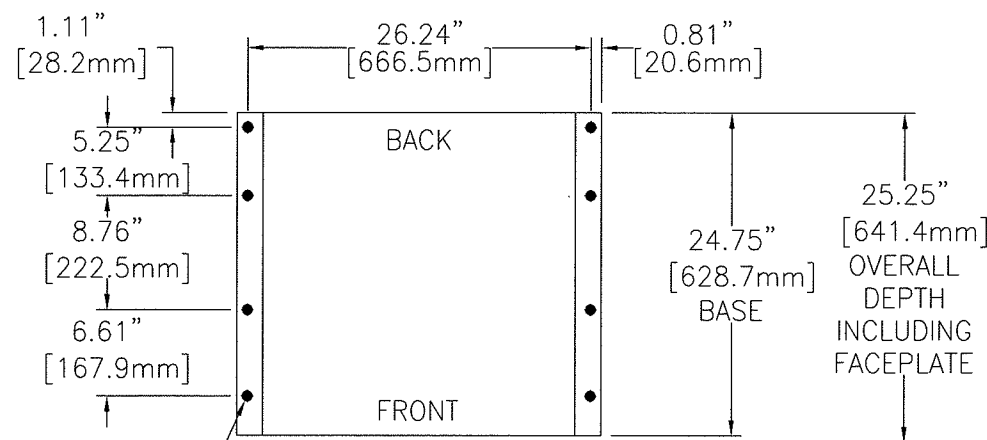
m-s-endur

SYSTEM NO. E1746024CE01

20	1	RE04454	ACCESSORY KIT (J29536)
19			
18			
17			
16			
15	2	PT00962T	TERMINAL PLATE (M15923)
14			
13			
12			
11	3	PK04202T	CONNECTOR 1.00 X 7.09 X 0.12
10	20	PK04225T	CONNECTOR 1.00 x 5.94 x 0.12
9	2	HDWR-R11	HARDWARE KIT, CONNECTOR
9.1	48	PB00327	BOLT, HEX 5/16-18 x 1.25 S.S.
9.2	48	PH01700	WASHER, FLAT S.S.
8	6	PH04006-27	FACEPLATE (K11056)
7	7	HDWR-R13	HARDWARE KIT, FACEPLATE (J29535)
5	24	CW18149	CELL (N03375)
3	6	RD04496-27D	MODULE ASSEMBLY KIT (M14111)
1	1	RD04407-27A	BASE ASSEMBLY KIT (M14028)
ITEM	QTY	PART NO.	DESCRIPTION



TERMINAL PLATE DETAIL
PART NO. PT00962T



FLOOR MOUNTING DETAIL

NOTES:

1. LOCATE POLARITY OF BATTERIES FOR PROPER ORIENTATION DURING INSTALLATION.
2. FLOOR MOUNTING (ANCHOR) BOLTS ARE NOT FURNISHED.
3. INSTALLATION ANCHOR BOLT SIZE AND TYPE ARE TO BE DETERMINED BY USER IN ACCORDANCE WITH BUILDING CODES APPLICABLE TO THE ARRANGEMENT DESCRIBED ON THIS DRAWING.
4. REFERENCE INSTALLATION MANUAL RS02044 FOR: CONNECTOR TORQUE VALUES, MODULE TO MODULE CONNECTIONS & FACEPLATE MOUNTING DETAILS.
5. CONNECTORS ARE SIZED TO LESS THAN 30mV DROP AT 327.2 AMPS (2 HOUR RATE TO 1.75 VPC).

UNLESS OTHERWISE SPECIFIED DIMENSIONS ARE IN INCHES.		DRAWN		DATE	
TOLERANCES ON:	ANGLES	A. STOLTZFUS	3/12/08	CS TECHNOLOGIES, INC.	
X .XX	.12"	CHECKED	3/26/08	1400 UNION MEETING, BLUE BELL, PA 19422-0588	
Y .XX		C.H. HOUSTON		www.cschno.com	
Z .XX		APPROVED		TITLE	
THIRD ANGLE PROJECTION		P. RALSTON	3/26/08	CONNECTION DIAGRAM	
MATERIAL		APPROVED		48V 4X6 AT-17P	
SEE BOM ABOVE				SIZE	DRAWING NUMBER
PER:	SPEC:	FILE: E1746024CE01	SCALE NTS	D	E1746024CE01
				CAGE CODE	REVISION
					1

ALL SHEETS ARE THE SAME REVISION STATUS			
CS TECHNOLOGIES, INC.			
1400 UNION MEETING, BLUE BELL, PA 19422-0588			
www.cschno.com			
TITLE			
CONNECTION DIAGRAM			
48V 4X6 AT-17P			
SIZE	CAGE CODE	DRAWING NUMBER	REVISION
D		E1746024CE01	1
PER:	SPEC:	FILE: E1746024CE01	SCALE NTS
			SHEET 1 OF 1