

NOTICE: THIS DRAWING AND THE INFORMATION DISCLOSED ON IT ARE CONFIDENTIAL AND PROPRIETARY TO CAD TECHNOLOGIES, INC. AND MAY NOT BE REPRODUCED, REPRODUCED, USED OR DISCLOSED BY OR TO ANY PERSON OR PARTY OUTSIDE OF THE COMPANY IN ANY WAY WITHOUT THE WRITTEN PERMISSION OF A DULY AUTHORIZED EMPLOYEE OF THE COMPANY. Copyright © 2004

REVISION HISTORY									
ZONE	REV	DESCRIPTION	ECN#	REV'D	CHK'D	DATE	APPROVED		
	1	UPDATED BOM, ADDED WEIGHT AND FLOOR CONTACT AREA	12321	YH	ent	12/1/08	B. Ralston		

24 VOLT SYSTEM (12) AT-17P CELLS

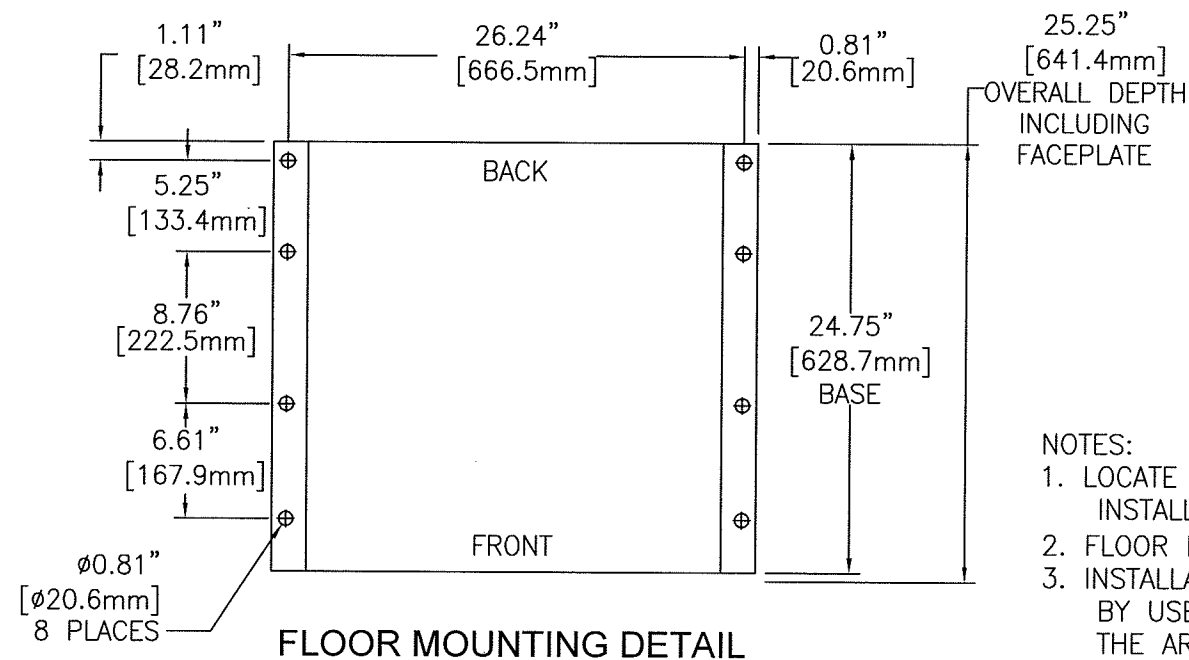
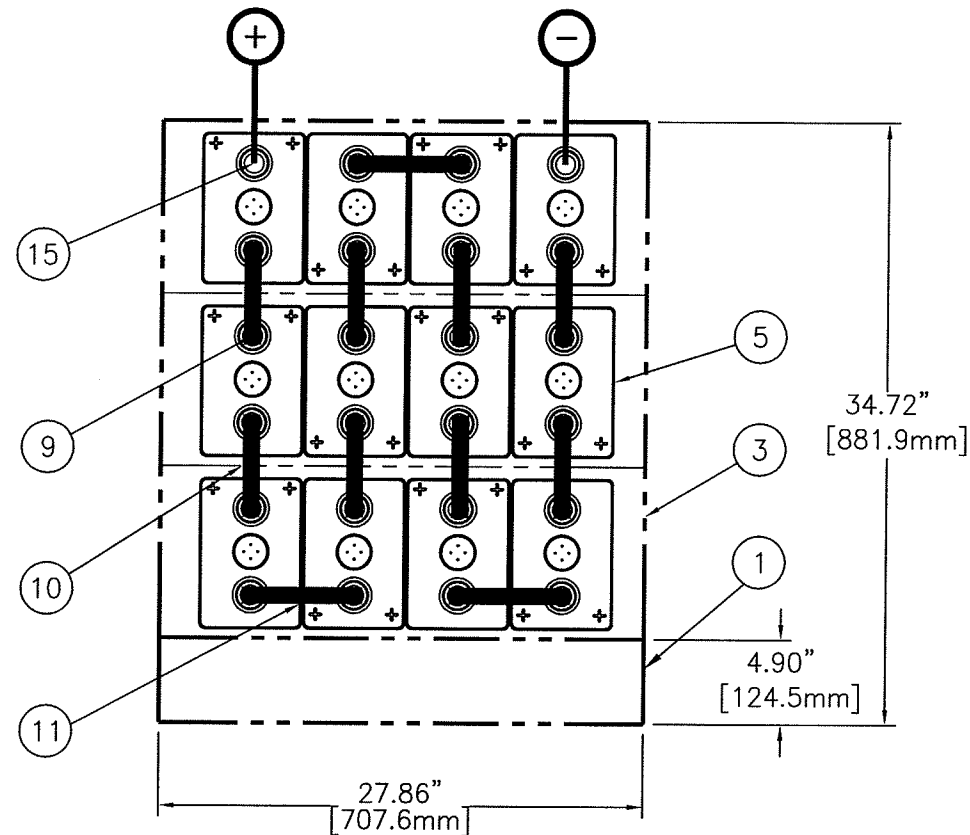
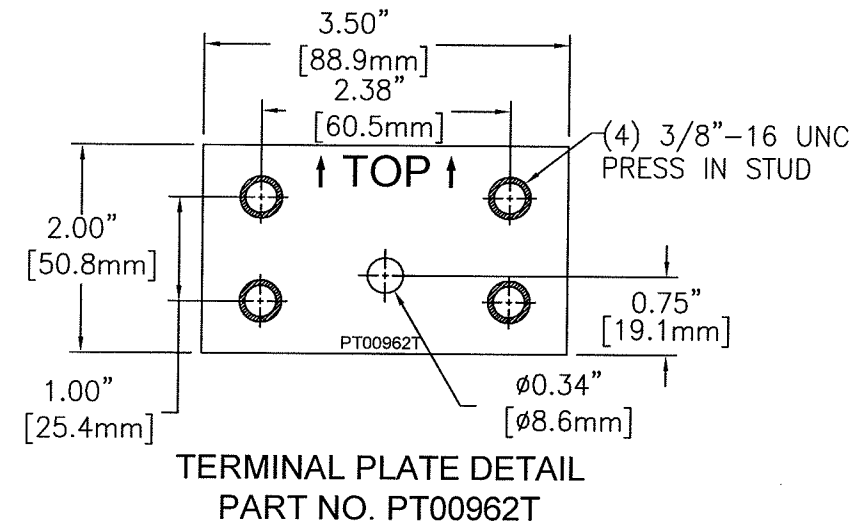
APPROX. SYSTEM WEIGHT: 1,835 LBS. [832.3 kg]
FLOOR CONTACT AREA: 74.25 SQ. IN. [47,903 mm²]

m-s-endur^{II}

SYSTEM NO. E1743012CE01

20	1	RE04454	ACCESSORY KIT (J29536)
19			
18			
17			
16			
15	2	PT00962T	TERMINAL PLATE (M15923)
14			
13			
12			
11	3	PK04202T	CONNECTOR 1.00 X 7.09 X 0.12
10	8	PK04225T	CONNECTOR 1.00 x 5.94 x 0.12
9	1	HDWR-R11	HARDWARE KIT, CONNECTOR
9.1	24	PB00327	BOLT, HEX 5/16-18 x 1.25 S.S
9.2	24	PH01700	WASHER, FLAT S.S.
8	3	PH04006-27	FACEPLATE (K11056)
7	4	HDWR-R13	HARDWARE KIT, FACEPLATE (J29535)
5	12	CW18149	CELL (N03375)
3	3	RD04496-27D	MODULE ASSEMBLY KIT (M14111)
1	1	RD04407-27A	BASE ASSEMBLY KIT (M14028)
ITEM	QTY	PART NO.	DESCRIPTION

UNLESS OTHERWISE SPECIFIED DIMENSIONS ARE IN INCHES.				DRAWN		DATE		ALL SHEETS ARE THE SAME REVISION STATUS	
X	XX	XXX	XXXX	A. STOLTZFUSS	3/12/08			CAD TECHNOLOGIES, INC. 1400 UNION MEETING, BLUE BELL, PA 19422-0588 www.cadtechno.com	
TOLERANCES ON DIMENSIONS				CHECKED	3/26/08	TITLE CONNECTION DIAGRAM 24V 4X3 AT-17P		SIZE	DATE CODE
.12"				APPROVED	3/26/08	DRAWING NUMBER E1743012CE01		REVISION	
THIRD ANGLE PROJECTION				P. RALSTON	APPROVED	SCALE NTS SHEET 1 OF 1			
SEE BOM ABOVE				FILE: E1743012CE01		12/2000			



- NOTES:
1. LOCATE POLARITY OF BATTERIES FOR PROPER ORIENTATION DURING INSTALLATION.
 2. FLOOR MOUNTING (ANCHOR) BOLTS ARE NOT FURNISHED.
 3. INSTALLATION ANCHOR BOLT SIZE & TYPE ARE TO BE DETERMINED BY USER IN ACCORDANCE WITH BUILDING CODES APPLICABLE TO THE ARRANGEMENT DESCRIBED ON THIS DRAWING.
 4. REFERENCE INSTALLATION MANUAL RS02044 FOR: CONNECTOR TORQUE VALUES, MODULE TO MODULE CONNECTIONS & FACEPLATE MOUNTING DETAILS.
 5. CONNECTORS ARE SIZED TO LESS THAN 30mV DROP AT 327.2 AMPS (2 HOUR RATE TO 1.75 VPC).