

NOTICE: THIS DRAWING AND THE INFORMATION DISCLOSED ON IT ARE CONFIDENTIAL AND PROPRIETARY TO CAD TECHNOLOGIES, INC. AND MAY NOT BE DUPLICATED, REPRODUCED, USED OR DISCLOSED BY OR TO ANY PERSON OR PARTY OUTSIDE OF THE COMPANY IN ANY WAY WITHOUT THE WRITTEN PERMISSION OF A DULY AUTHORIZED EMPLOYEE OF THE COMPANY. Copyright © 2004

ECN#12038

REVISION HISTORY						
ZONE	REV	DESCRIPTION	ECN#	REV'D	CHK'D	DATE
	1	UPDATED BOM, ADDED WEIGHT AND FLOOR CONTACT AREA	12321	YH	SAH	3/21/08

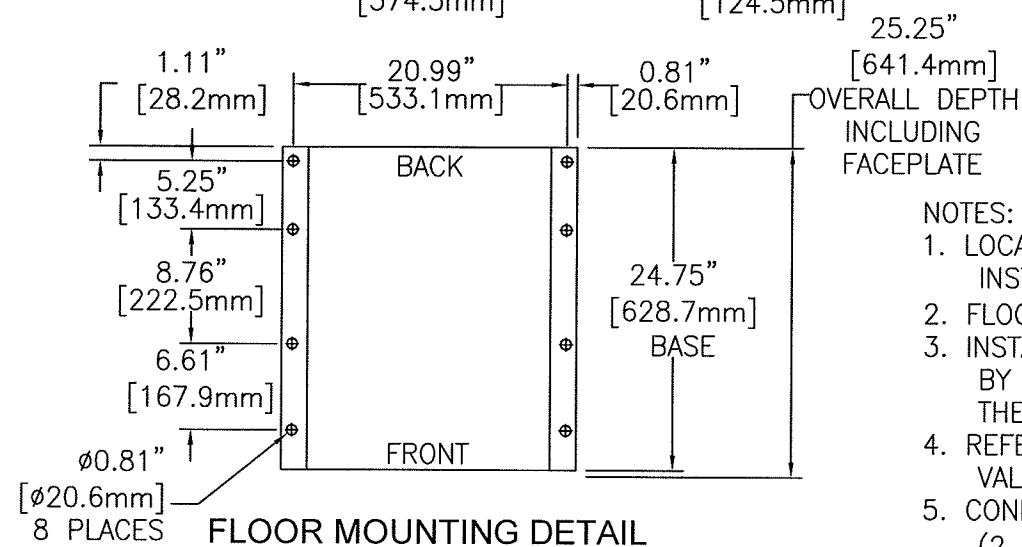
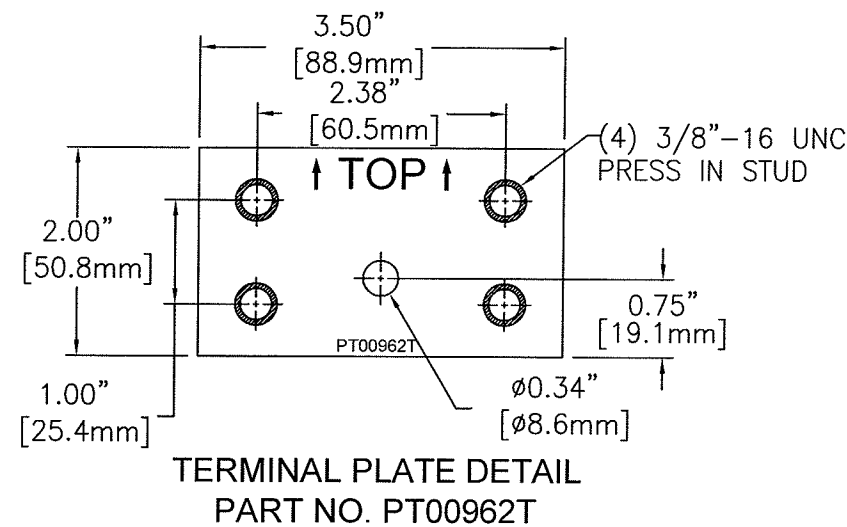
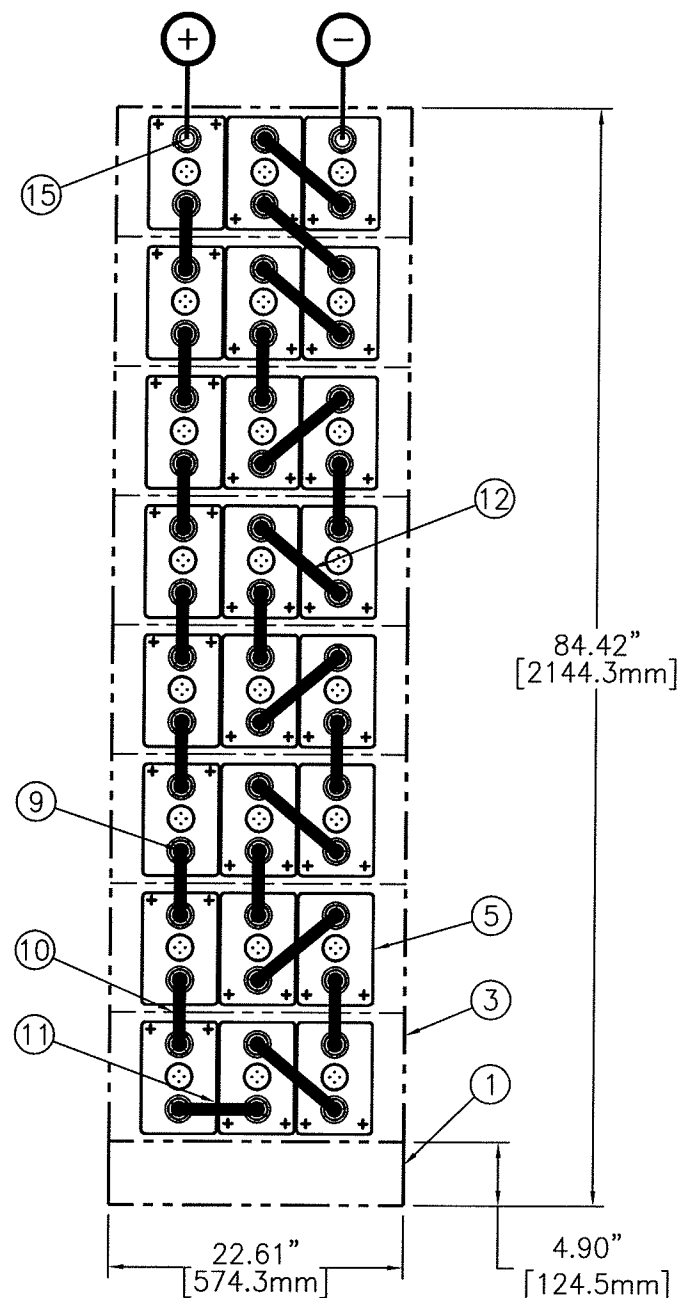
48 VOLT SYSTEM (24) AT-17P CELLS

APPROX. SYSTEM WEIGHT: 3,640 LBS. [1,651.1 kg]
FLOOR CONTACT AREA: 74.25 SQ. IN. [47,903 mm²]



SYSTEM NO. E1738024CE01

20	1	RE04454	ACCESSORY KIT (J29536)
19			
18			
17			
16			
15	2	PT00962T	TERMINAL PLATE (M15923)
14			
13			
12	9	PK04261T	CONNECTOR 1.00 X 8.88 X 0.12
11	1	PK04202T	CONNECTOR 1.00 X 7.09 X 0.12
10	13	PK04225T	CONNECTOR 1.00 x 5.94 x 0.12
9	2	HDWR-R11	HARDWARE KIT, CONNECTOR
9.1	48	PB00327	BOLT, HEX 5/16-18 x 1.25 S.S
9.2	48	PH01700	WASHER, FLAT S.S.
8	8	PH04006-22	FACEPLATE (K11056)
7	9	HDWR-R13	HARDWARE KIT, FACEPLATE (J29535)
5	24	CW18149	CELL (N03375)
3	8	RD04496-22D	MODULE ASSEMBLY KIT (M14111)
1	1	RD04407-22A	BASE ASSEMBLY KIT (M14028)
ITEM	QTY	PART NO.	DESCRIPTION



NOTES:

1. LOCATE POLARITY OF BATTERIES FOR PROPER ORIENTATION DURING INSTALLATION.
2. FLOOR MOUNTING (ANCHOR) BOLTS ARE NOT FURNISHED.
3. INSTALLATION ANCHOR BOLT SIZE & TYPE ARE TO BE DETERMINED BY USER IN ACCORDANCE WITH BUILDING CODES APPLICABLE TO THE ARRANGEMENT DESCRIBED ON THIS DRAWING.
4. REFERENCE INSTALLATION MANUAL RS02044 FOR: CONNECTOR TORQUE VALUES, MODULE TO MODULE CONNECTIONS & FACEPLATE MOUNTING DETAILS.
5. CONNECTORS ARE SIZED TO LESS THAN 30mV DROP AT 327.2 AMPS (2 HOUR RATE TO 1.75 VPC).

UNLESS OTHERWISE SPECIFIED DIMENSIONS ARE IN INCHES & TOLERANCES ARE:		DATE
FINISHES	AS NOTED	3/12/08
ANGLES	AS NOTED	
SPACINGS	AS NOTED	
TOLERANCES ON DIMENSIONS	AS NOTED	
THIRD ANGLE PROJECTION		
MATERIAL		
SEE BOM ABOVE		
PER:	SPEC:	

ALL SHEETS ARE THE SAME REVISION STATUS			
DRAWN A. STOLTZFUS		DATE 3/12/08	
CHECKED C.H. HOUSTON		DATE 3/26/08	
APPROVED P. RALSTON		DATE 3/26/08	
CAD TECHNOLOGIES, INC. 1400 UNION MEETING, BLUE BELL, PA 19422-0588 www.cad3d.com			
TITLE CONNECTION DIAGRAM 48V 3X8 AT-17P			
SIZE D	ONE CODE	DRAWING NUMBER E1738024CE01	REVISION 1
SCALE NTS	SHEET 1 OF 1		12/2000