

NOTICE: THIS DRAWING AND THE INFORMATION DISCLOSED ON IT ARE CONFIDENTIAL AND PROPRIETARY TO CAD TECHNOLOGIES, INC. AND MAY NOT BE REPRODUCED, COPIED OR DISCLOSED BY OR TO ANY PERSON OR PARTY OUTSIDE OF THE COMPANY IN ANY WAY WITHOUT THE WRITTEN PERMISSION OF A DAILY AUTHORIZED EMPLOYEE OF THE COMPANY. Copyright © 2004

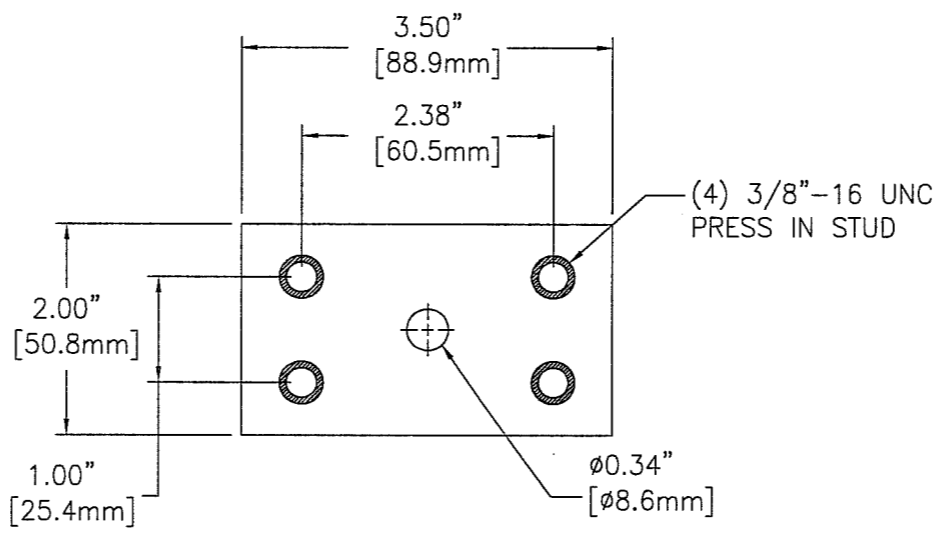
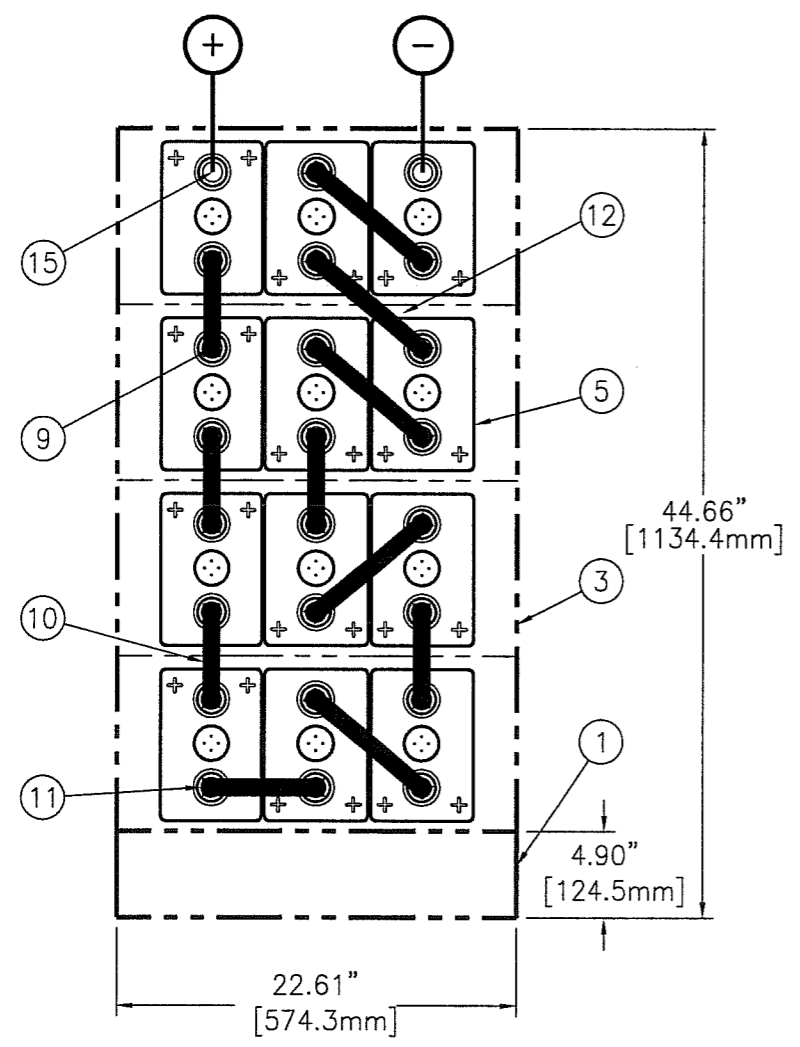
REVISION HISTORY						
ZONE	REV	DESCRIPTION	ECN#	REV'D	CHK'D	DATE

24 VOLT SYSTEM (12) AT-17P CELLS

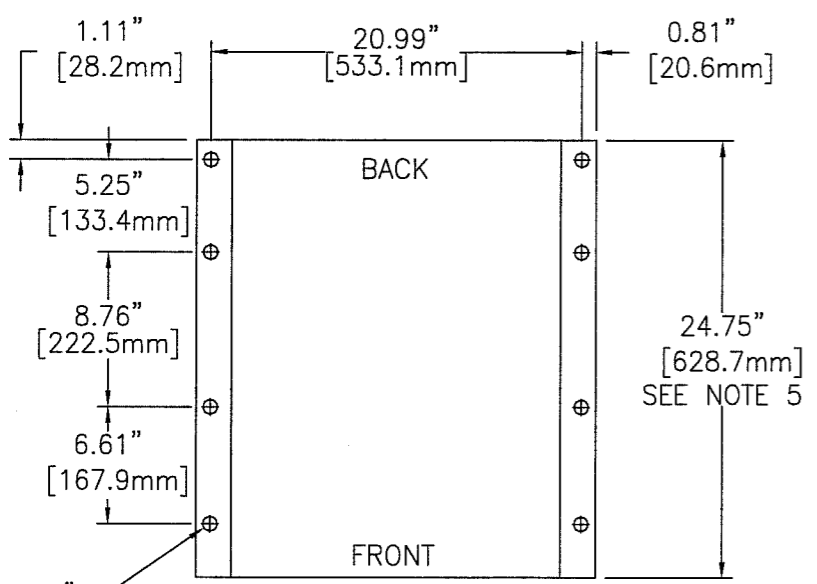


SYSTEM NO. E1734012CE01

20	1	RE04454	ACCESSORY KIT (J29536)
19			
18			
17			
16			
15	2	PT00931T	TERMINAL PLATE (M15923)
14			
13			
12	5	PK04261T	CONNECTOR 1.00 X 8.88 X 0.12
11	1	PK04202T	CONNECTOR 1.00 X 7.09 X 0.12
10	5	PK04225T	CONNECTOR 1.00 X 5.94 X 0.12
9	1	HDWR-R9	HARDWARE KIT, CONNECTOR
9.1	24	PB00340	BOLT, HEX 5/16-18 x 1.00 S.S
9.2	24	PH01700	WASHER, FLAT S.S.
8	4	PH04006-22	FACEPLATE (K11056)
7	5	HDWR-R7	HARDWARE KIT, FACEPLATE (J29535)
5	12	CW18149	CELL (N03375)
3	4	RD04496-22D	MODULE ASSEMBLY KIT (M14111)
1	1	RD04407-22A	BASE ASSEMBLY KIT (M14028)
ITEM	QTY	PART NO.	DESCRIPTION



TERMINAL PLATE DETAIL
PART NO. PT00931T



FLOOR MOUNTING DETAIL

- NOTES:
1. LOCATE POLARITY OF BATTERIES FOR PROPER ORIENTATION DURING INSTALLATION.
 2. FLOOR MOUNTING (ANCHOR) BOLTS ARE NOT FURNISHED.
 3. INSTALLATION ANCHOR BOLT SIZE & TYPE ARE TO BE DETERMINED BY USER IN ACCORDANCE WITH BUILDING CODES APPLICABLE TO THE ARRANGEMENT DESCRIBED ON THIS DRAWING.
 4. REFERENCE INSTALLATION MANUAL RS01991 FOR: CONNECTOR TORQUE VALUES, MODULE TO MODULE CONNECTIONS & FACEPLATE MOUNTING DETAILS.
 5. DIMENSION PROVIDED IS OVERALL DEPTH INCLUDING FACEPLATES.
 6. CONNECTORS ARE SIZED TO LESS THAN 30mV DROP AT 327.2 AMPS (2 HOUR RATE TO 1.75 VPC).

<small>UNLESS OTHERWISE SPECIFIED DIMENSIONS ARE IN INCHES. TOLERANCES ON DIMENSIONS ARE:</small> X .12" XXX Y .12" XXX Z .12" XXX THIRD ANGLE PROJECTION SEE BOM ABOVE	DRAWN: A. STOLTZPUS CHECKED: [Signature] DATE: 3/12/08 APPROVED: [Signature] FILE: E1734012CE01	ALL SHEETS ARE THE SAME REVISION STATUS CAD TECHNOLOGIES, INC. 1400 UNION MEETING, BLUE BELL, PA 19422-0588 www.cadtech.com TITLE: CONNECTION DIAGRAM 24V 3X4 AT-17P SIZE: D CASE CODE: E1734012CE01 REVISION: 0 SHEET 1 OF 1
--	---	---