

NOTICE: THIS DRAWING AND THE INFORMATION DISCLOSED ON IT ARE CONFIDENTIAL AND PROPRIETARY TO C&S TECHNOLOGIES, INC. AND MAY NOT BE REPRODUCED, REPRODUCED, USED OR DISCLOSED BY OR TO ANY PERSON OR PARTY OUTSIDE OF THE COMPANY IN ANY WAY WITHOUT THE WRITTEN PERMISSION OF A DUTY AUTHORIZED EMPLOYEE OF THE COMPANY. Copyright © 2014

REVISION HISTORY						
ZONE	REV	DESCRIPTION	ECH#	REV'D	CHK'D	DATE

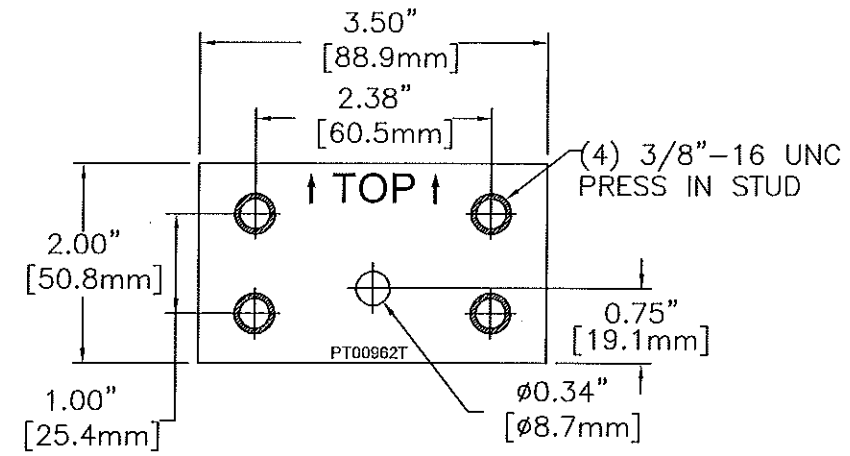
240 VOLT SYSTEM (120) AT-15P CELLS

APPROX. SYSTEM WEIGHT: 16,635 LBS. [7,545.5 kg]
FLOOR CONTACT AREA: 297.0 SQ. IN. [191,612 mm²]

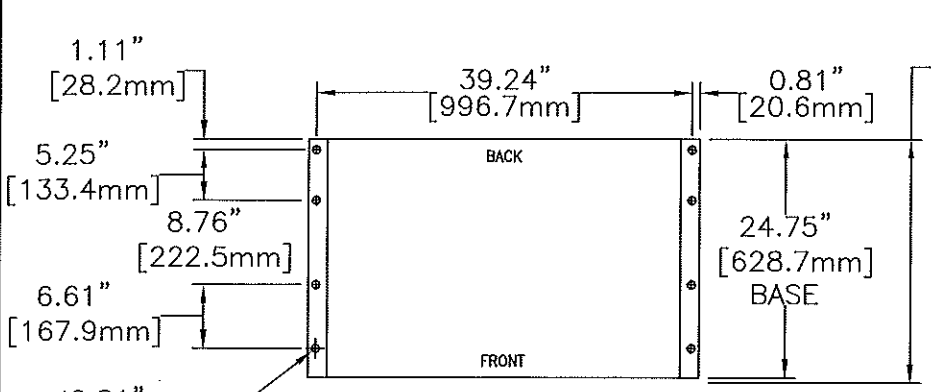
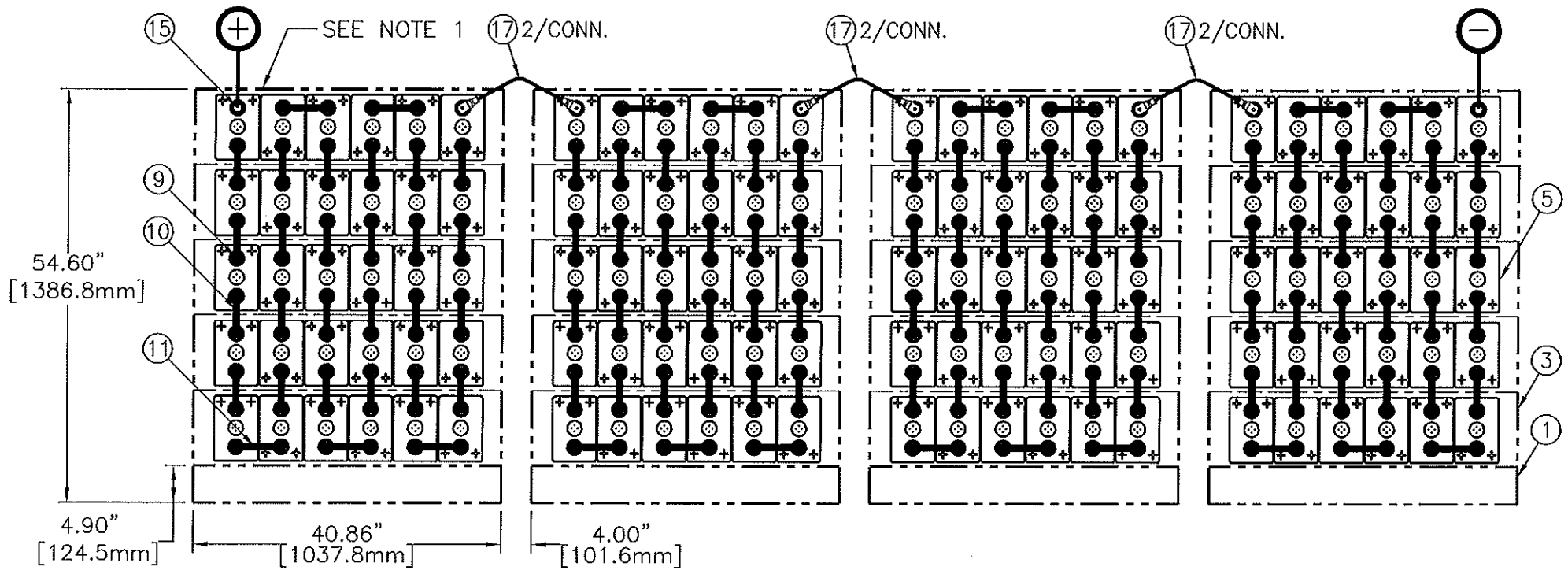


SYSTEM NO. E1565120CE01

20	1	RE04455-120	ACCESSORY KIT (J29537)
19			
18			
17	6	RA02250-21	4/0 CABLE 21" LONG
16			
15	2	PT00962T	TERMINAL PLATE (M15923)
14			
13			
12			
11	20	PK04276T	CONNECTOR 1.50 X 7.12 X 0.18
10	96	PK04097T	CONNECTOR 1.50 X 5.96 X 0.12
9	10	HDWR-R11	HARDWARE KIT, CONNECTOR
9.1	240	PB00327	BOLT, HEX 5/16-18 X 1.25 S.S.
9.2	240	PH01700	WASHER, FLAT S.S.
8	20	PH04006-40	FACEPLATE (K11056)
7	24	HDWR-R13	HARDWARE KIT, FACEPLATE (J29535)
5	120	CW18349	CELL (N03375)
3	20	RD04496-40D	MODULE ASSEMBLY KIT (M14111)
1	4	RD04407-40A	BASE ASSEMBLY KIT (M14028)
ITEM	QTY	PART NO.	DESCRIPTION



TERMINAL PLATE DETAIL
PART NO. PT00962T



FLOOR MOUNTING DETAIL

- NOTES:
1. LOCATE POLARITY OF BATTERIES FOR PROPER ORIENTATION DURING INSTALLATION.
 2. FLOOR MOUNTING (ANCHOR) BOLTS ARE NOT FURNISHED.
 3. INSTALLATION ANCHOR BOLT SIZE AND TYPE ARE TO BE DETERMINED BY USER IN ACCORDANCE WITH BUILDING CODES APPLICABLE TO THE ARRANGEMENT DESCRIBED ON THIS DRAWING.
 4. REFERENCE INSTALLATION MANUAL RS02044 FOR: CONNECTOR TORQUE VALUES, MODULE TO MODULE CONNECTIONS & FACEPLATE MOUNTING DETAILS.
 5. CONNECTORS AND CABLES ARE SIZED TO THE 15 MIN. RATE AT 1.67 FINAL VPC AT 895.1 AMPS. CONNECTORS RESULT IN <30mV DROP AND CABLES RESULT IN <100mV DROP.

UNLESS OTHERWISE SPECIFIED DIMENSIONS ARE IN INCHES - TOLERANCES ARE:		DATE: 2/22/18	C&S TECHNOLOGIES, INC.	
FRONT VIEW	TOP VIEW	DATE: 2/22/18	1400 UNION MEETING, BLUE BELL, PA 19422-0588	
THIRD ANGLE PROJECTION	APPROVED: [Signature]	DATE: 2/27/18	TITLE: CONNECTION DIAGRAM 240V 6X5 AT-15P	
SCALE: NTS	FILE: E1565120CE01	SHEET 1 OF 1	DRAWING NUMBER: E1565120CE01	