

NOTICE: THIS DRAWING AND THE INFORMATION DISCLOSED ON IT ARE CONFIDENTIAL AND PROPRIETARY TO CAS TECHNOLOGIES, INC. AND MAY NOT BE REPRODUCED, COPIED, REPRODUCED, USED OR DISCLOSED BY OR TO ANY PERSON OR PARTY OUTSIDE OF THE COMPANY IN ANY WAY WITHOUT THE WRITTEN PERMISSION OF A DUTY AUTHORIZED EMPLOYEE OF THE COMPANY. Copyright © 2004

ECN14079

REVISION HISTORY							
ZONE	REV	DESCRIPTION	ECN#	REV'D	CHK'D	DATE	APPROVED

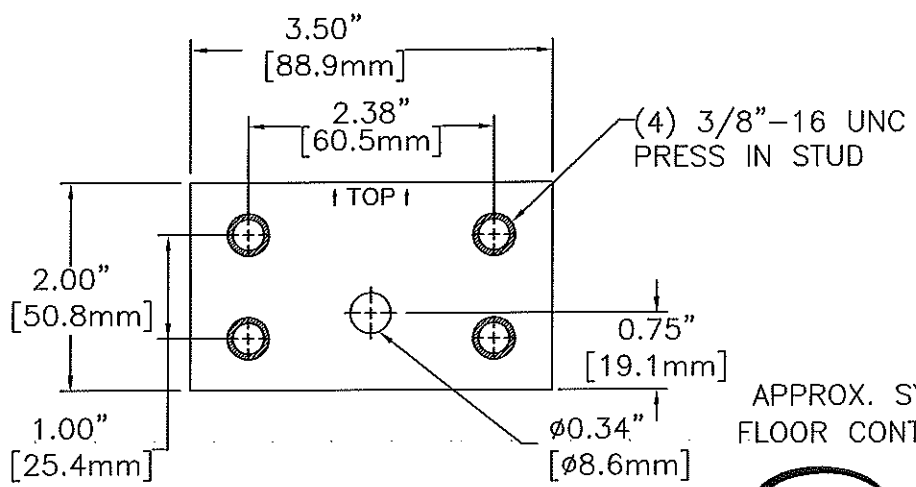
120/125 VOLT SYSTEM (60) AT-15P CELLS

APPROX. SYSTEM WEIGHT: 8,320 LBS. [3,773.9 kg.]
FLOOR CONTACT AREA: 148.50 SQ. IN. [95,806 mm²]

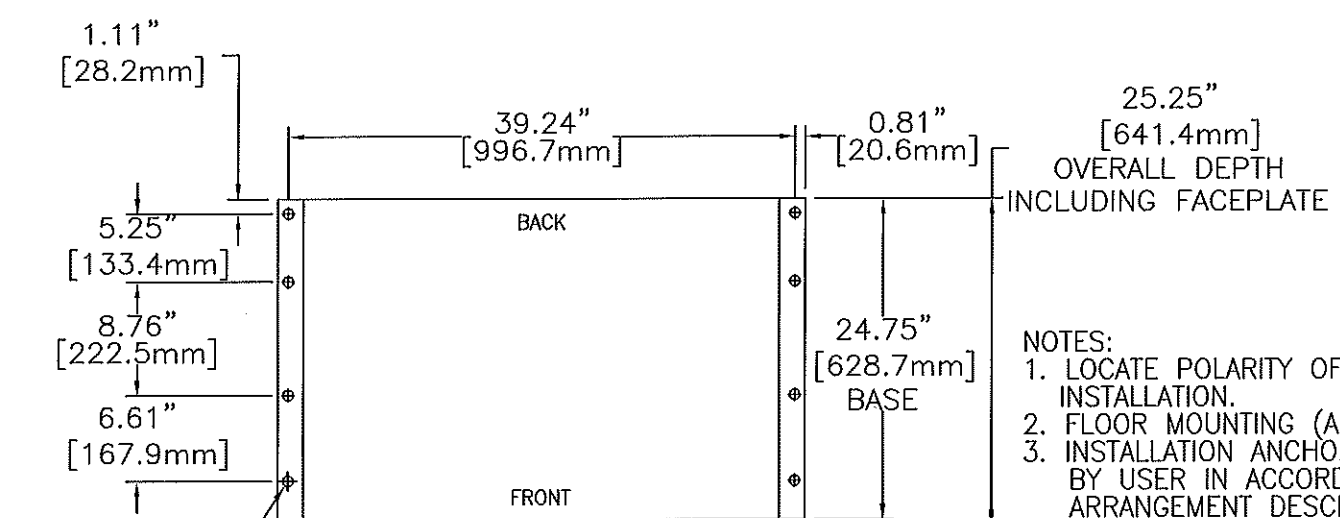
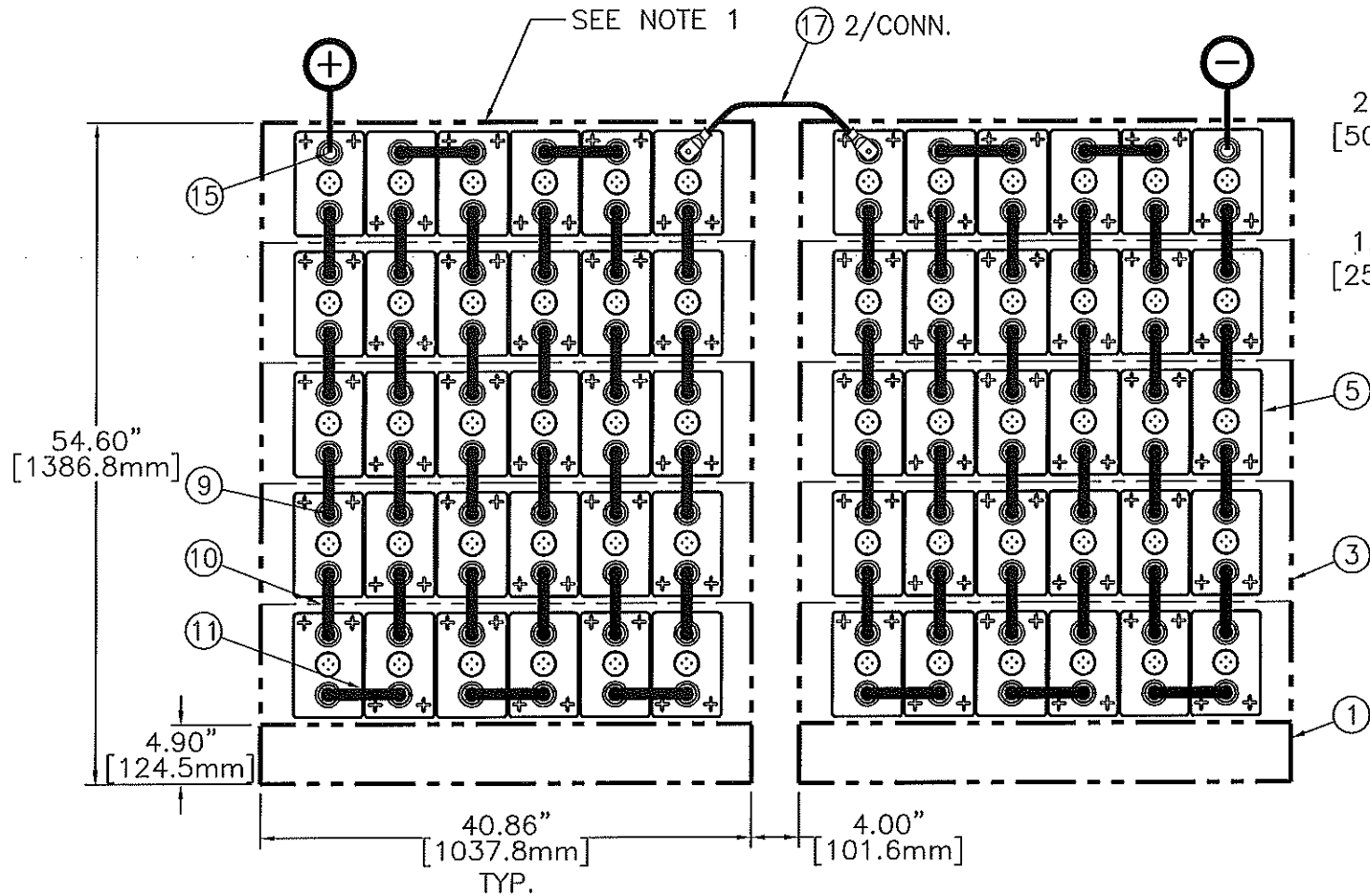


SYSTEM NO. E1565060CE01

ITEM	QTY	PART NO.	DESCRIPTION
20	1	RE04455-60	ACCESSORY KIT (J29537)
19			
18			
17	2	RA02250-21	4/0 CABLE 21" LONG
16			
15	2	PT00962T	TERMINAL PLATE (M15923)
14			
13			
12			
11	10	PK04276T	CONNECTOR 1.50 X 7.12 X 0.18
10	48	PK04097T	CONNECTOR 1.50 x 5.96 x 0.12
9	5	HDWR-R11	HARDWARE KIT, CONNECTOR
9.1	120	PB00327	BOLT, HEX 5/16-18 x 1.25 S.S.
9.2	120	PH01700	WASHER, FLAT S.S.
8	10	PH04006-40	FACEPLATE (K11056)
7	12	HDWR-R13	HARDWARE KIT, FACEPLATE (J29535)
5	60	CW18349	CELL (N03375)
3	10	RD04496-40D	MODULE ASSEMBLY KIT (M14111)
1	2	RD04407-40A	BASE ASSEMBLY KIT (M14028)



TERMINAL PLATE DETAIL
PART NO. PT00962T



FLOOR MOUNTING DETAIL

- NOTES:
- LOCATE POLARITY OF BATTERIES FOR PROPER ORIENTATION DURING INSTALLATION.
 - FLOOR MOUNTING (ANCHOR) BOLTS ARE NOT FURNISHED.
 - INSTALLATION ANCHOR BOLT SIZE AND TYPE ARE TO BE DETERMINED BY USER IN ACCORDANCE WITH BUILDING CODES APPLICABLE TO THE ARRANGEMENT DESCRIBED ON THIS DRAWING.
 - REFERENCE INSTALLATION MANUAL RS02044 FOR: CONNECTOR TORQUE VALUES, MODULE TO MODULE CONNECTIONS & FACEPLATE MOUNTING DETAILS.
 - CONNECTORS AND CABLES ARE SIZED TO THE 1 MIN. RATE AT 1.75 VPC AT 927.0 AMPS. CONNECTORS RESULT IN <30mV DROP AND CABLES RESULT IN <100mV DROP.

UNLESS OTHERWISE SPECIFIED DIMENSIONS ARE IN INCHES & DECIMALS UNLESS INDICATED OTHERWISE	DRAWN BY: M. NEESE	CHECKED BY: [Signature]	DATE: 11/18/14
THIRD ANGLE PROJECTION	APPROVED BY: [Signature]	DATE: 11/18/14	
1400 UNION MEETING, BLUE BELL, PA 19422-0588 www.cas-tech.com			
TITLE		CONNECTION DIAGRAM 120V/125V 6X5 AT-15P	
SIZE	CAGE CODE	DRAWING NUMBER	REVISION
D		E1565060CE01	0
FILE: E1565060CE01		SCALE NTS	SHEET 1 OF 1