

NOTICE: THIS DRAWING AND THE INFORMATION DISCLOSED ON IT ARE CONFIDENTIAL AND PROPRIETARY TO CAD TECHNOLOGIES, INC. AND MAY NOT BE DUPLICATED, REPRODUCED, USED OR DISCLOSED BY OR TO ANY PERSON OR PARTY OUTSIDE OF THE COMPANY IN ANY MANNER WITHOUT THE WRITTEN PERMISSION OF A DULY AUTHORIZED EMPLOYEE OF THE COMPANY. Copyright © 2014

ECN14074

| REVISION HISTORY | | | | | | |
|------------------|-----|-------------|------|-------|-------|------|
| ZONE | REV | DESCRIPTION | ECN# | REV'D | CHK'D | DATE |
| | | | | | | |
| | | | | | | |

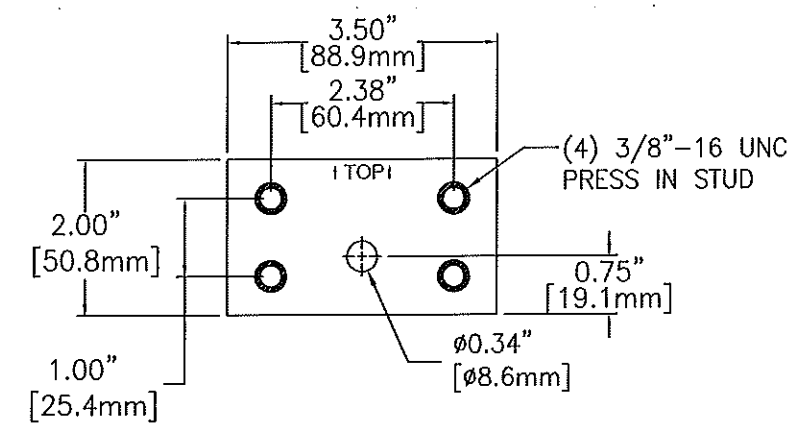
48 VOLT SYSTEM (24) AT-15P CELLS

APPROX. SYSTEM WEIGHT: 3,410 LBS [1,546.7 kg]
FLOOR CONTACT AREA: 74.25 SQ. IN. [47,903 mm²]

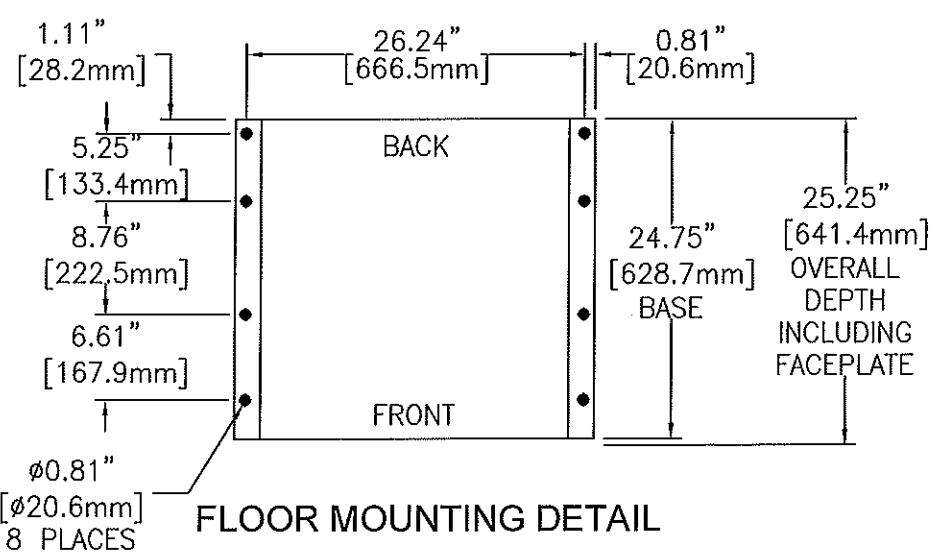
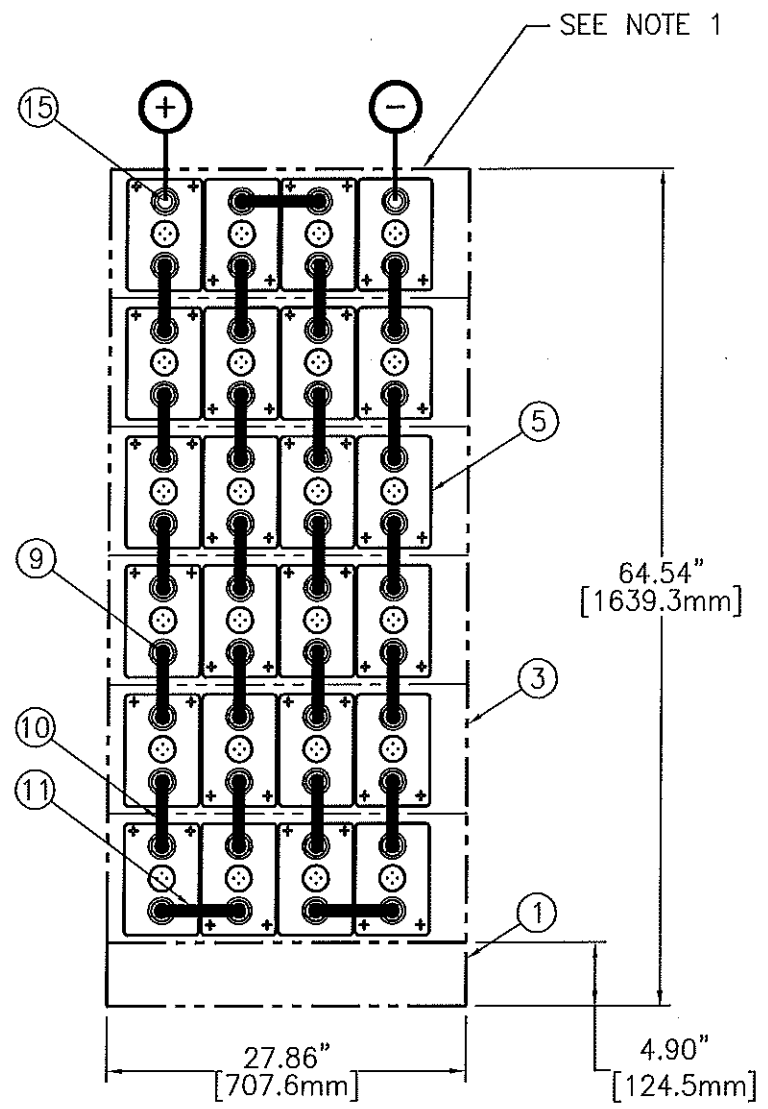


SYSTEM NO. E1546024CE01

| 20 | 1 | RE04454 | ACCESSORY KIT (J29536) |
|------|-----|-------------|----------------------------------|
| 19 | | | |
| 18 | | | |
| 17 | | | |
| 16 | | | |
| 15 | 2 | PT00962T | TERMINAL PLATE (M15923) |
| 14 | | | |
| 13 | | | |
| 12 | | | |
| 11 | 3 | PK04202T | CONNECTOR 1.00 X 7.09 X 0.12 |
| 10 | 20 | PK04225T | CONNECTOR 1.00 x 5.94 x 0.12 |
| 9 | 2 | HDWR-R11 | HARDWARE KIT, CONNECTOR |
| 9.1 | 48 | PB00327 | BOLT, HEX 5/16-18 x 1.25 S.S. |
| 9.2 | 48 | PH01700 | WASHER, FLAT S.S. |
| 8 | 6 | PH04006-27 | FACEPLATE (K11056) |
| 7 | 7 | HDWR-R13 | HARDWARE KIT, FACEPLATE (J29535) |
| 5 | 24 | CW18349 | CELL (N03375) |
| 3 | 6 | RD04496-27D | MODULE ASSEMBLY KIT (M14111) |
| 1 | 1 | RD04407-27A | BASE ASSEMBLY KIT (M14028) |
| ITEM | QTY | PART NO. | DESCRIPTION |



TERMINAL PLATE DETAIL
PART NO. PT00962T



FLOOR MOUNTING DETAIL

- NOTES:**
1. LOCATE POLARITY OF BATTERIES FOR PROPER ORIENTATION DURING INSTALLATION.
 2. FLOOR MOUNTING (ANCHOR) BOLTS ARE NOT FURNISHED.
 3. INSTALLATION ANCHOR BOLT SIZE AND TYPE ARE TO BE DETERMINED BY USER IN ACCORDANCE WITH BUILDING CODES APPLICABLE TO THE ARRANGEMENT DESCRIBED ON THIS DRAWING.
 4. REFERENCE INSTALLATION MANUAL RS02044 FOR: CONNECTOR TORQUE VALUES, MODULE TO MODULE CONNECTIONS & FACEPLATE MOUNTING DETAILS.
 5. CONNECTORS ARE SIZED TO LESS THAN 30mV DROP AT 297.8 AMPS (2 HOUR RATE TO 1.75 VPC).

| | | |
|---|--|---|
| <small>PRESS DIMENSIONS SPECIFIED DIMENSIONS ARE IN INCHES UNLESS OTHERWISE NOTED</small> DRAWN BY: HODGES CHECKED: [Signature] DATE: 11/11/14 APPROVED: [Signature] DATE: 11/18/14 THIRD ANGLE PROJECTION SEE BOM ABOVE PER: SPEC: | 1400 UNION MEETING, BLUE BELL, PA 19422-0588 www.cadec.com TITLE: CONNECTION DIAGRAM 48V 4X6 AT-15P SIZE: D CASE CODE: E1546024CE01 DRAWING NUMBER: 0 SCALE: 1 SHEET 1 OF 1 FILE: E1546024CE01 | CAD TECHNOLOGIES, INC. <small>ALL SHEETS ARE THE SAME REVISION STATUS</small> |
|---|--|---|