

NOTICE: THIS DRAWING AND THE INFORMATION DISCLOSED ON IT ARE CONFIDENTIAL AND PROPRIETARY TO CAD TECHNOLOGIES, INC. AND MAY NOT BE DUPLICATED, REPRODUCED, USED OR DISCLOSED BY OR TO ANY PERSON OR PARTY OUTSIDE OF THE COMPANY IN ANY MANNER WITHOUT THE WRITTEN PERMISSION OF A DULY AUTHORIZED EMPLOYEE OF THE COMPANY. Copyright © 2004.

REVISION HISTORY						
ZONE	REV	DESCRIPTION	ECN#	REV'D	CHK'D	DATE
	1	REVISED APPROX. SYSTEM WEIGHT TO UPDATED STANDARD	13102	DS	U.H.	12/31/09

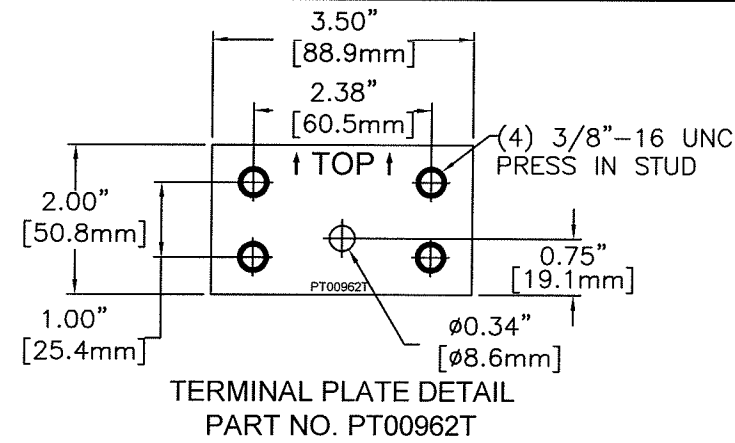
### 480 VOLT SYSTEM (240) AT-13P CELLS

APPROX. SYSTEM WEIGHT: 27,325 LBS. [12,394.4 kg]  
FLOOR CONTACT AREA: 371.25 SQ. IN. [239,515 mm<sup>2</sup>]

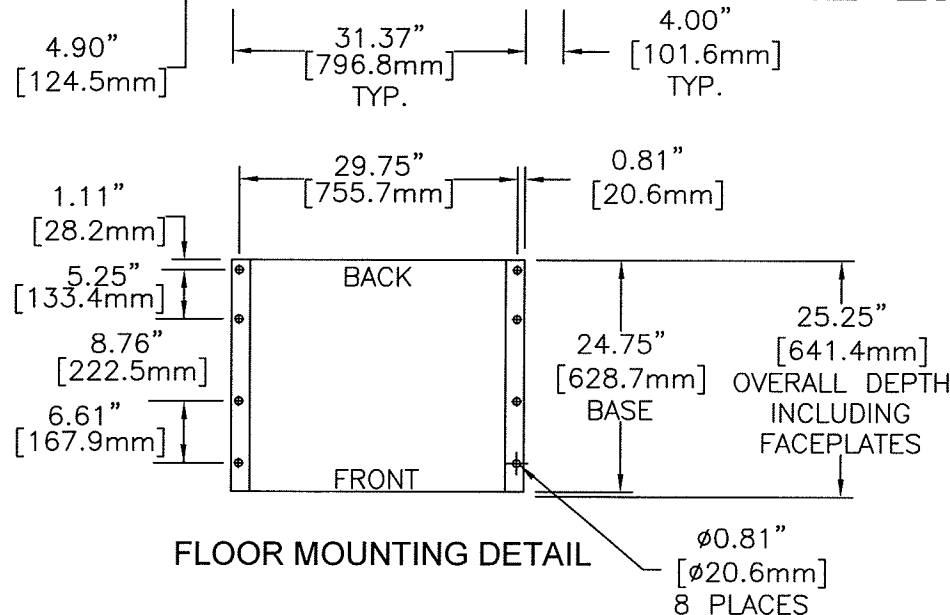
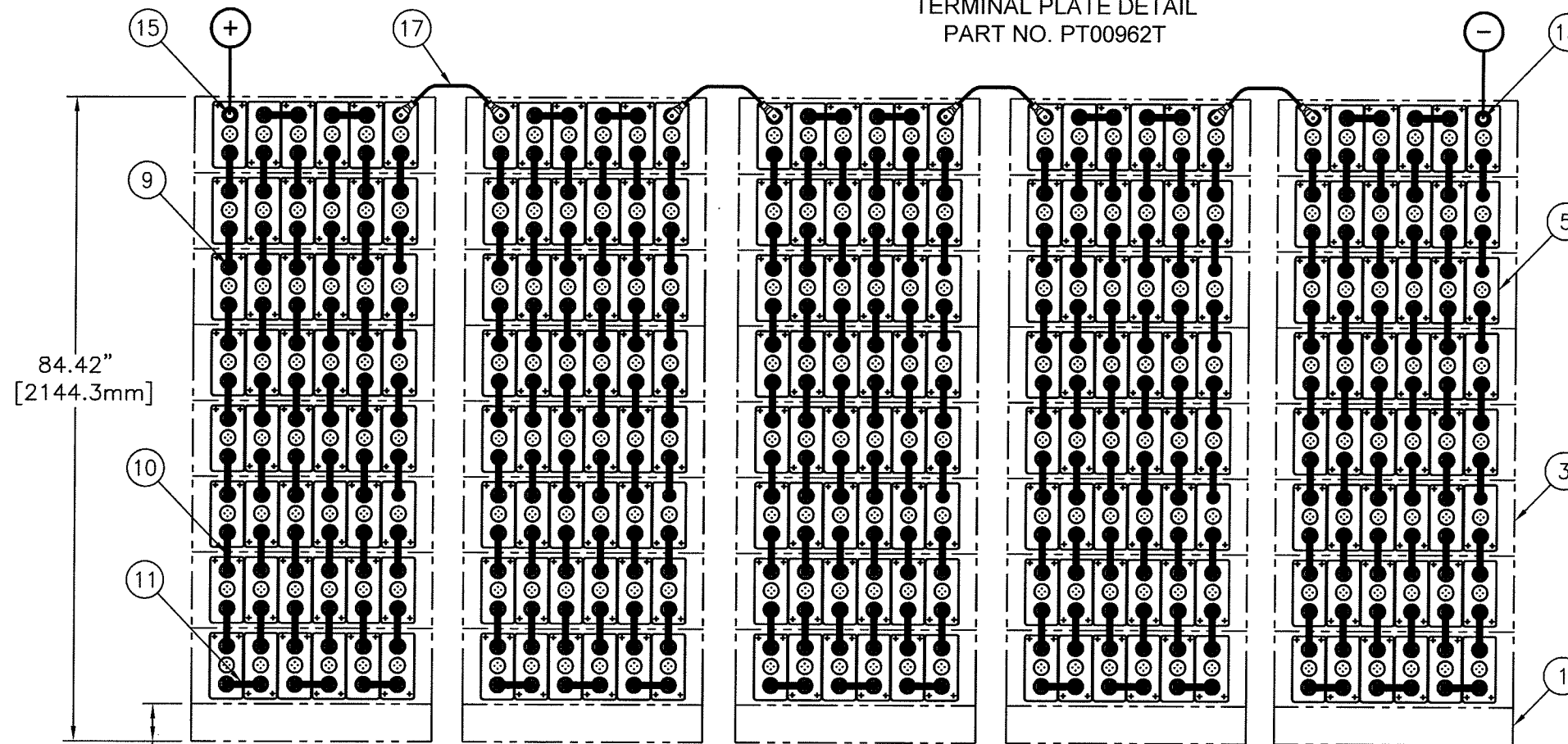


SYSTEM NO. E1368240CE01

ITEM	QTY	PART NO.	DESCRIPTION
20	1	RE04455-240	ACCESSORY KIT (J29537)
19			
18			
17	4	RA02250-21	4/0 CABLE 21" LONG
16			
15	2	PT00962T	TERMINAL PLATE (M15923)
14			
13			
12			
11	25	PK04260T	CONNECTOR 1.00 X 5.57 X 0.12
10	210	PK04225T	CONNECTOR 1.00 x 5.94 x 0.12
9	20	HDWR-R11	HARDWARE KIT, CONNECTOR
9.1	480	PB00327	BOLT, HEX 5/16-18 x 1.25 S.S.
9.2	480	PH01700	WASHER, FLAT S.S.
8	40	PH04006-31	FACEPLATE (K11056)
7	45	HDWR-R13	HARDWARE KIT, FACEPLATE (J29535)
5	240	CW18195	CELL (N03375)
3	40	RD04496P-31C	MODULE ASSEMBLY KIT (M14111)
1	5	RD04407-31A	BASE ASSEMBLY KIT (M14028)



TERMINAL PLATE DETAIL  
PART NO. PT00962T



FLOOR MOUNTING DETAIL

NOTES:

1. LOCATE POLARITY OF BATTERIES FOR PROPER ORIENTATION DURING INSTALLATION.
2. FLOOR MOUNTING (ANCHOR) BOLTS ARE NOT FURNISHED.
3. INSTALLATION ANCHOR BOLT SIZE & TYPE ARE TO BE DETERMINED BY USER IN ACCORDANCE WITH BUILDING CODES APPLICABLE TO THE ARRANGEMENT DESCRIBED ON THIS DRAWING.
4. REFERENCE INSTALLATION MANUAL RS02044 FOR: CONNECTOR TORQUE VALUES, MODULE TO MODULE CONNECTIONS & FACEPLATE MOUNTING DETAILS.
5. CONNECTORS AND CABLES ARE SIZED TO THE 15 MIN RATE TO 1.67 FINAL VPC AT 713.1 AMPS. CONNECTORS RESULT IN <30mV DROP AND CABLES RESULT IN <100mV DROP.

UNLESS OTHERWISE SPECIFIED DIMENSIONS ARE IN INCHES & TOLERANCES ARE:				DATE		DRAWING NUMBER	
FINISH	ASSEMBLY	DATE	DESCRIPTION	DATE	DESCRIPTION	DATE	DESCRIPTION
X	XX	XXX	XXXX	12/29/08	C.H. HOUSTON	1/13/09	P. DAVEY
				1/13/09	P. RALSTON	1/13/09	P. RALSTON

ALL SHEETS ARE THE SAME REVISION STATUS

**CAD TECHNOLOGIES, INC.**  
1400 UNION MEETING, BLUE BELL, PA 19422-0588  
www.cadtechno.com

TITLE: CONNECTION DIAGRAM  
480V 6X8 AT-13P

SIZE: D CASE CODE: DRAWING NUMBER: E1368240CE01 REVISION: 1

FILE: E1368240CE01 SCALE: NTS SHEET 1 OF 1