

NOTICE: THIS DRAWING AND THE INFORMATION DISCLOSED ON IT ARE CONFIDENTIAL AND PROPRIETARY TO C&S TECHNOLOGIES, INC. AND MAY NOT BE REPRODUCED, COPIED, OR DISCLOSED BY OR TO ANY PERSON OR PARTY OUTSIDE OF THE COMPANY IN ANY MANNER WITHOUT THE WRITTEN PERMISSION OF A QUALIFIED EMPLOYEE OF THE COMPANY. Copyright © 2004

ECH#12344

REVISION HISTORY						
ZONE	REV	DESCRIPTION	ECH#	REV'D	CHK'D	DATE
	1	REVISED APPROX. SYSTEM WEIGHT	13109	DCS	RA	7/12/12

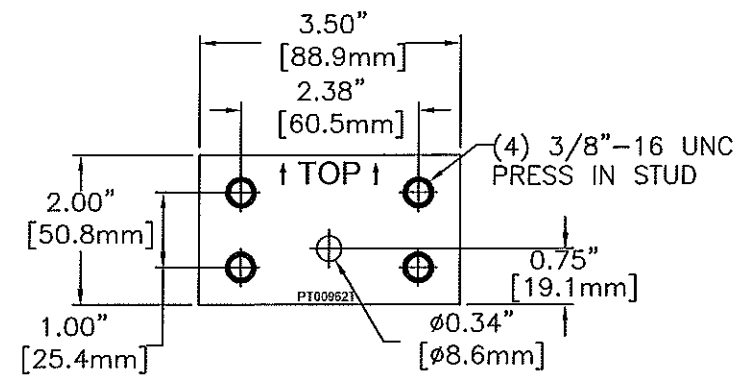
384 VOLT SYSTEM (192) AT-13P CELLS

APPROX. SYSTEM WEIGHT: 21,860 LBS. [9,915.5 kg]
FLOOR CONTACT AREA: 297.0 SQ. IN. [191,612 mm²]

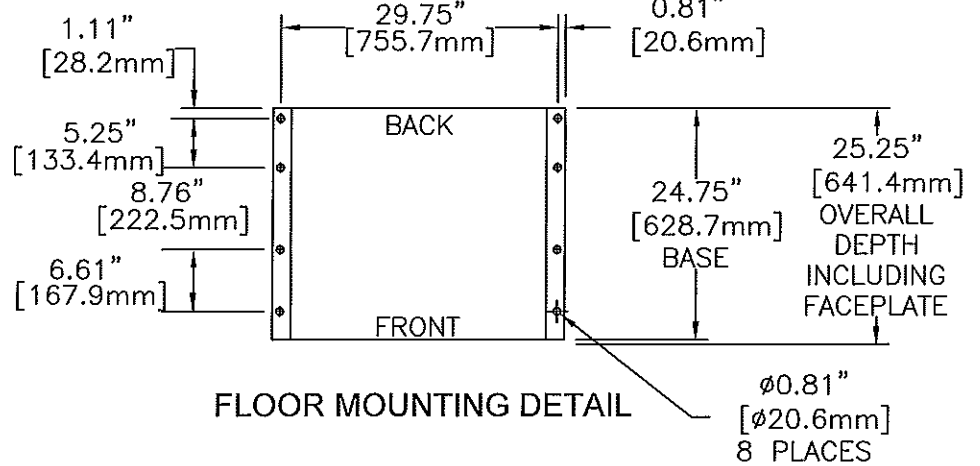
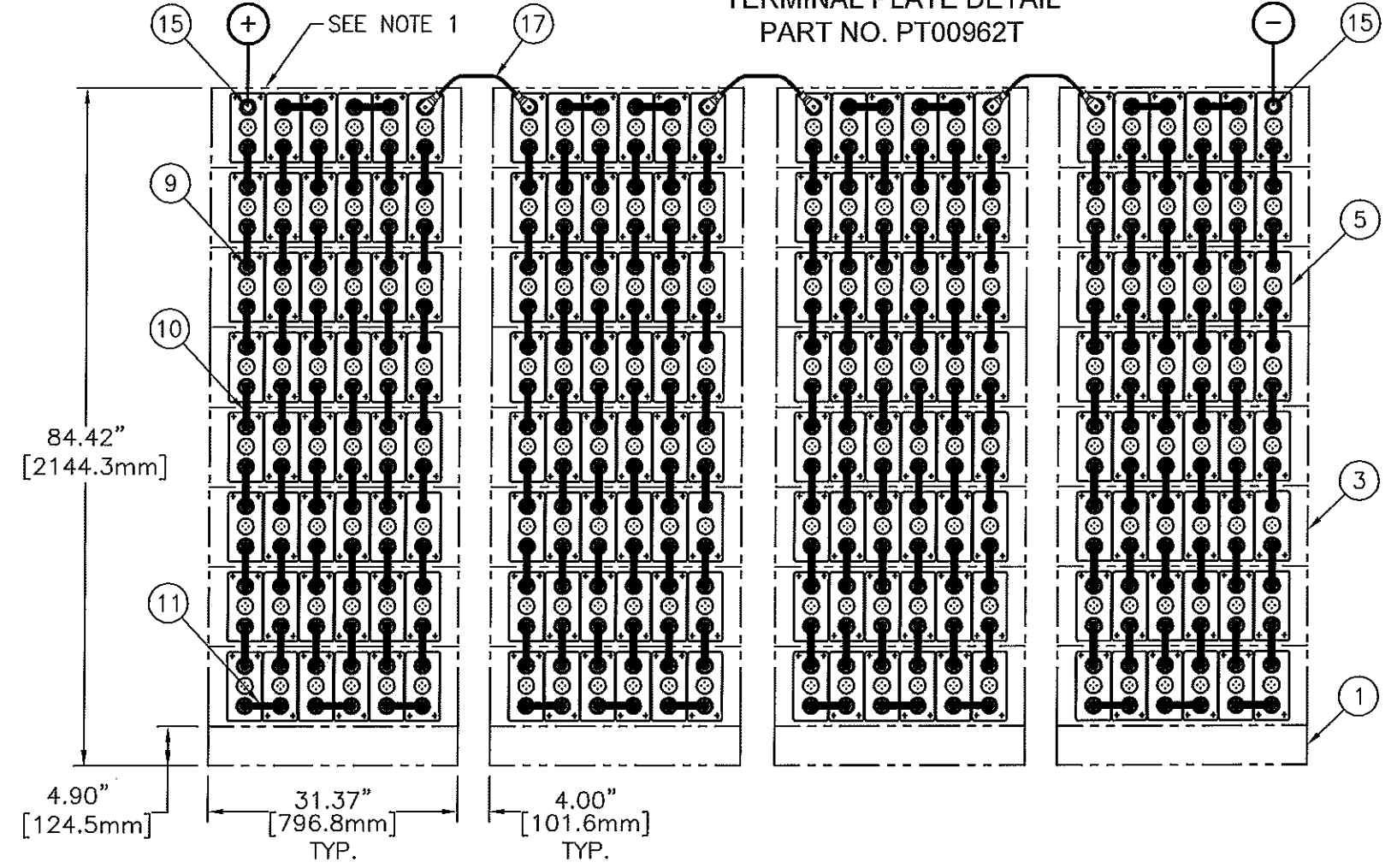


SYSTEM NO. E1368192CE01

20	1	RE04455-240	ACCESSORY KIT (J29537)
19			
18			
17	3	RA02250-21	4/0 CABLE 21" LONG
16			
15	2	PT00962T	TERMINAL PLATE (M15923)
14			
13			
12			
11	20	PK04260T	CONNECTOR 1.00 x 5.57 x 0.12
10	168	PK04225T	CONNECTOR 1.00 x 5.94 x 0.12
9	16	HDWR-R11	HARDWARE KIT, CONNECTOR
9.1	384	PB00327	BOLT, HEX 5/16-18 x 1.25 S.S.
9.2	384	PH01700	WASHER, FLAT S.S.
8	32	PH04006-31	FACEPLATE (K11056)
7	36	HDWR-R13	HARDWARE KIT, FACEPLATE (J29535)
5	192	CW18195	CELL (N03375)
3	32	RD04496P-31C	MODULE ASSEMBLY KIT (M14111)
1	4	RD04407-31A	BASE ASSEMBLY KIT (M14028)
ITEM	QTY	PART NO.	DESCRIPTION



TERMINAL PLATE DETAIL
PART NO. PT00962T



FLOOR MOUNTING DETAIL

NOTES:

- LOCATE POLARITY OF BATTERIES FOR PROPER ORIENTATION DURING INSTALLATION.
- FLOOR MOUNTING (ANCHOR) BOLTS ARE NOT FURNISHED.
- INSTALLATION ANCHOR BOLT SIZE & TYPE ARE TO BE DETERMINED BY USER IN ACCORDANCE WITH BUILDING CODES APPLICABLE TO THE ARRANGEMENT DESCRIBED ON THIS DRAWING.
- REFERENCE INSTALLATION MANUAL RS02044 FOR: CONNECTOR TORQUE VALUES, MODULE TO MODULE CONNECTIONS & FACEPLATE MOUNTING DETAILS.
- CONNECTORS AND CABLES ARE SIZED TO THE 15 MIN RATE TO 1.67 FINAL VPC AT 713.1 AMPS. CONNECTORS RESULT IN <30mV DROP AND CABLES RESULT IN <100mV DROP.

UNLESS OTHERWISE SPECIFIED DIMENSIONS ARE IN INCHES & TOLERANCES ON:		DATE	 1400 UNION MEETING, BLUE BELL, PA 19422-0588 www.cstechno.com
FINISH	ANGLES	12/29/08	
X	XXX	CHECKED	TITLE CONNECTION DIAGRAM 384V 6X8 AT-13P DRAWING NUMBER E1368192CE01 SCALE NTS SHEET 1 OF 1
		R. DAVEY	
THIRD ANGLE PROJECTION		APPROVED	
		P. BALSTON	
		1/13/09	
DRAWN		C.H. HOUSTON	
FILE: E1368192CE01			