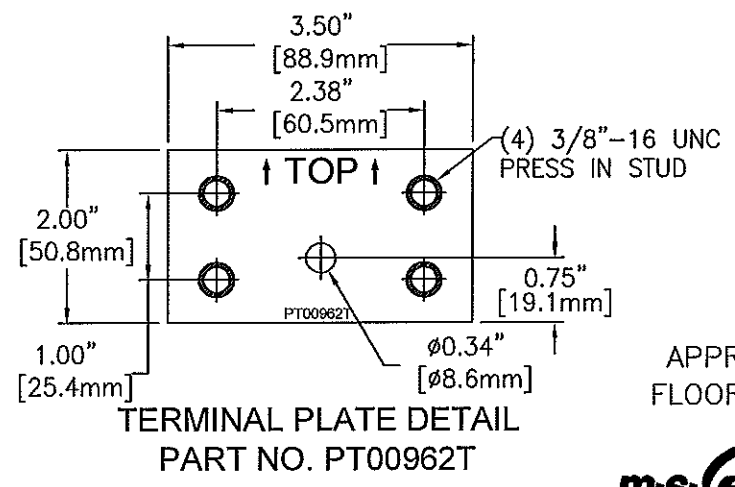
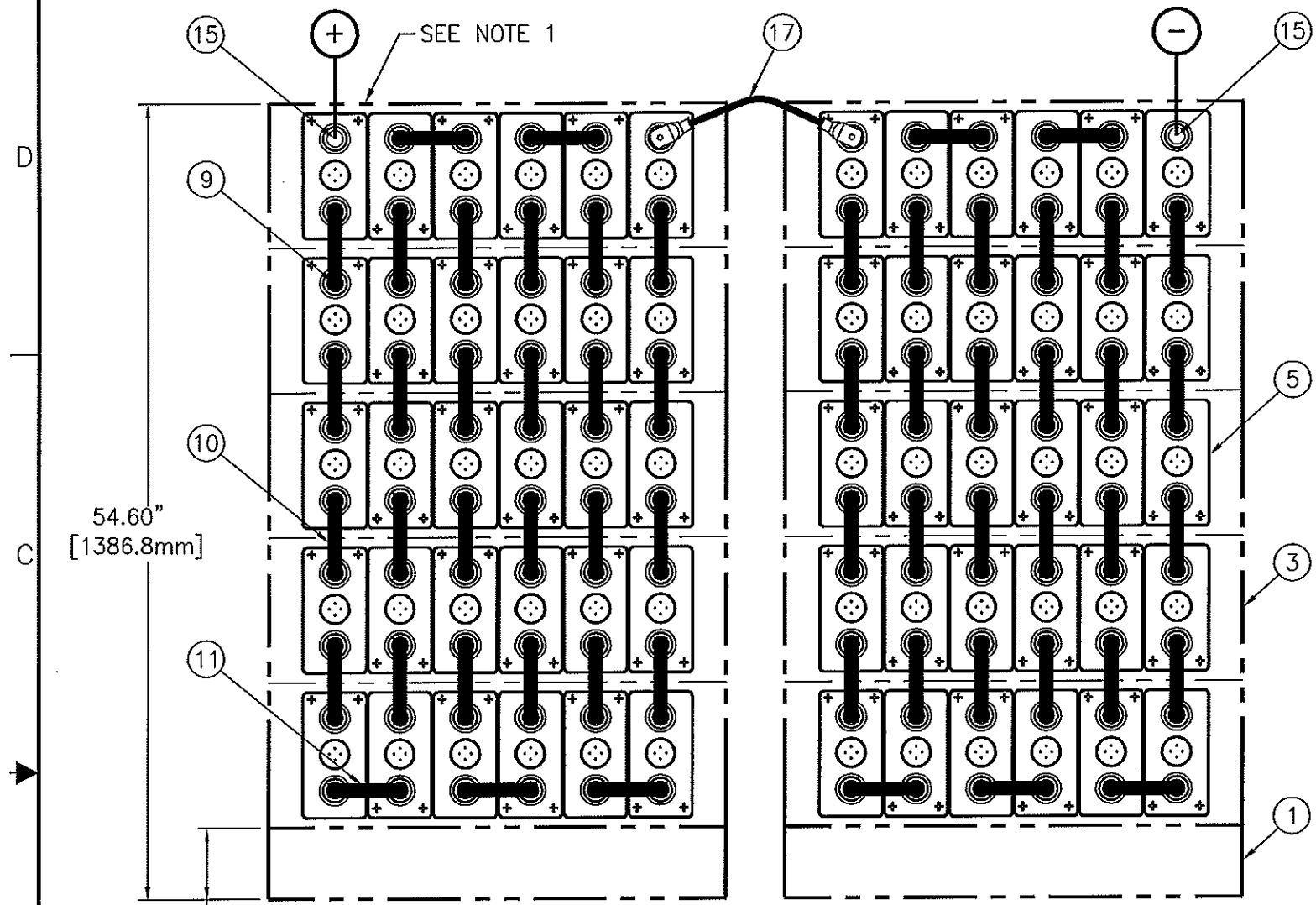


NOTICE: THIS DRAWING AND THE INFORMATION DISCLOSED ON IT ARE CONFIDENTIAL AND PROPRIETARY TO CAD TECHNOLOGIES, INC. AND MAY NOT BE REPRODUCED, COPIED, OR DISCLOSED BY OR TO ANY PERSON OR ENTITY OUTSIDE OF THE COMPANY IN ANY MANNER WITHOUT THE WRITTEN PERMISSION OF A Duly AUTHORIZED EMPLOYEE OF THE COMPANY. Copyright © 2004

ECN#12450

REVISION HISTORY						
ZONE	REV	DESCRIPTION	ECH#	REV'D	CHK'D	DATE
	1	REVISED APPROX. SYSTEM WEIGHT	13132	DCS		4/12/09



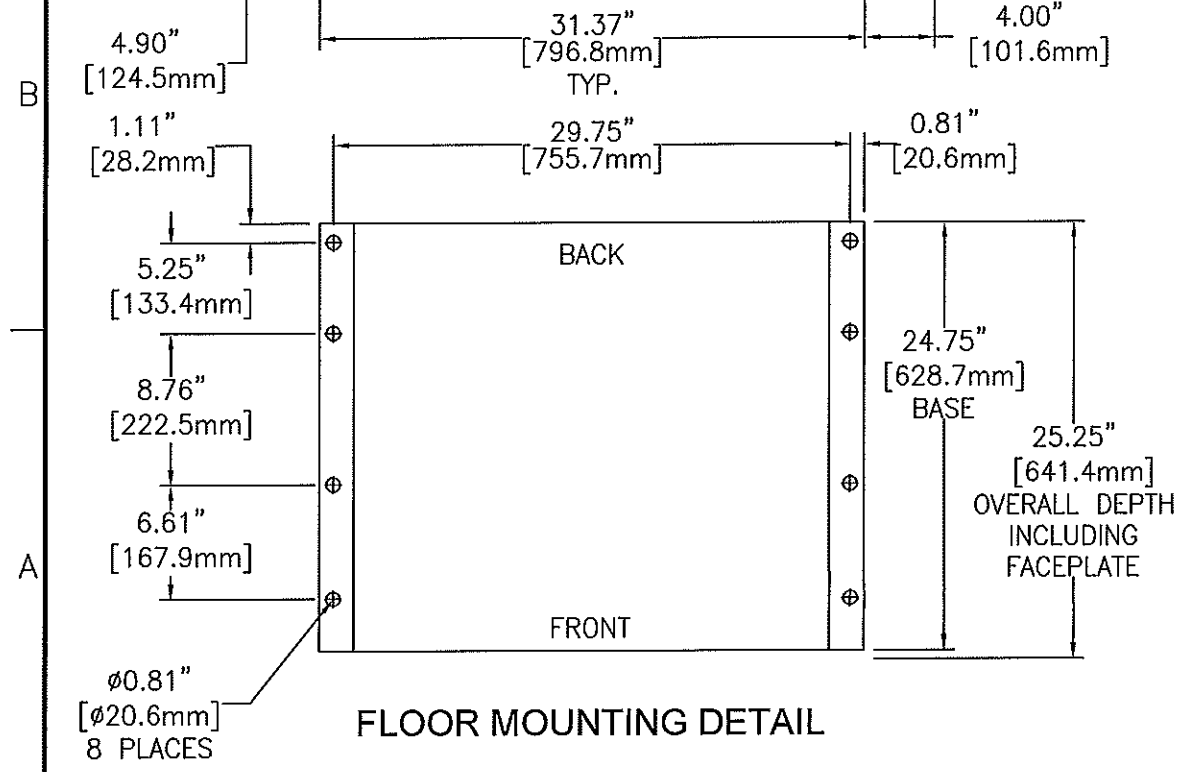
### 120/125 VOLT SYSTEM (60) AT-13P CELLS

APPROX. SYSTEM WEIGHT: 6,880 LBS. [3,120.7 kg.]  
FLOOR CONTACT AREA: 148.50 SQ. IN. [95,806 mm<sup>2</sup>]



SYSTEM NO. E1365060CE01

20	1	RE04455-60	ACCESSORY KIT (J29537)
19			
18			
17	1	RA02250-21	4/0 CABLE 21" LONG
16			
15	2	PT00962T	TERMINAL PLATE (M15923)
14			
13			
12			
11	10	PK04260T	CONNECTOR 1.00 x 5.57 x 0.12
10	48	PK04225T	CONNECTOR 1.00 x 5.94 x 0.12
9	5	HDWR-R11	HARDWARE KIT, CONNECTOR
9.1	120	PB00327	BOLT, HEX 5/16-18 x 1.25 S.S.
9.2	120	PH01700	WASHER, FLAT S.S.
8	10	PH04006-31	FACEPLATE (K11056)
7	12	HDWR-R13	HARDWARE KIT, FACEPLATE (J29535)
6			
5	60	CW18195	CELL (N03375)
3	10	RD04496-31C	MODULE ASSEMBLY KIT (M14111)
1	2	RD04407-31A	BASE ASSEMBLY KIT (M14028)



**NOTES:**

1. LOCATE POLARITY OF BATTERIES FOR PROPER ORIENTATION DURING INSTALLATION.
2. FLOOR MOUNTING (ANCHOR) BOLTS ARE NOT FURNISHED.
3. INSTALLATION ANCHOR BOLT SIZE & TYPE ARE TO BE DETERMINED BY USER IN ACCORDANCE WITH BUILDING CODES APPLICABLE TO THE ARRANGEMENT DESCRIBED ON THIS DRAWING.
4. REFERENCE INSTALLATION MANUAL RS02044 FOR: CONNECTOR TORQUE VALUES, MODULE TO MODULE CONNECTIONS & FACEPLATE MOUNTING DETAILS.
5. CONNECTORS AND CABLES ARE SIZED TO THE 1 MIN RATE TO 1.75 FINAL VPC AT 737.7 AMPS. CONNECTORS RESULT IN <30mV DROP AND CABLES RESULT IN <100mV DROP.

<small>PLEASE OBSERVE DIMENSIONS ARE IN INCHES UNLESS OTHERWISE SPECIFIED</small> DRAWN BY: R. DAVEY CHECKED BY: Y. HODGES APPROVED BY: M. MOORE DATE: 4/30/09 DATE: 5/5/09 DATE: 5/8/09	<b>CAD TECHNOLOGIES, INC.</b> 1400 UNION MEETING, BLUE BELL, PA 19422-0588 www.cadtechno.com TITLE: CONNECTION DIAGRAM 120/125V 6X5 AT-13P SIZE: D CASE CODE: E1365060CE01 DRAWING NUMBER: E1365060CE01 REVISION: 1 SCALE: NTS SHEET 1 OF 1
--	--