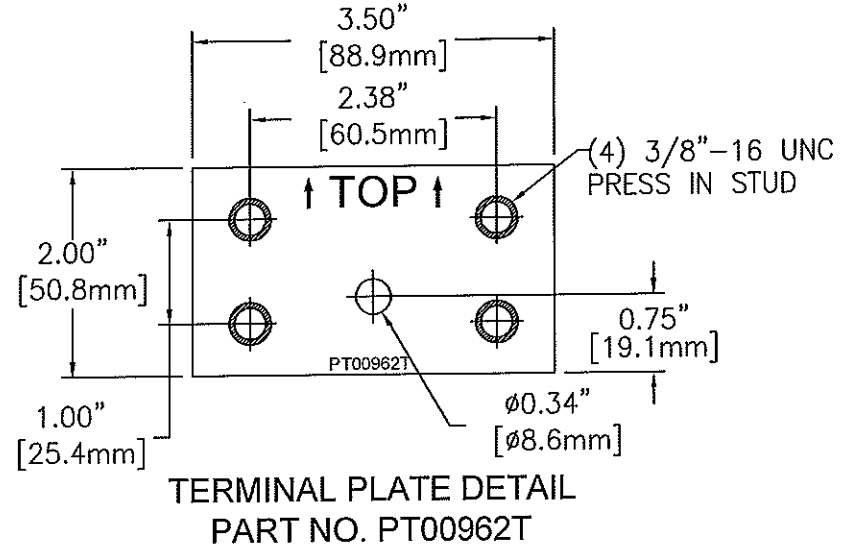
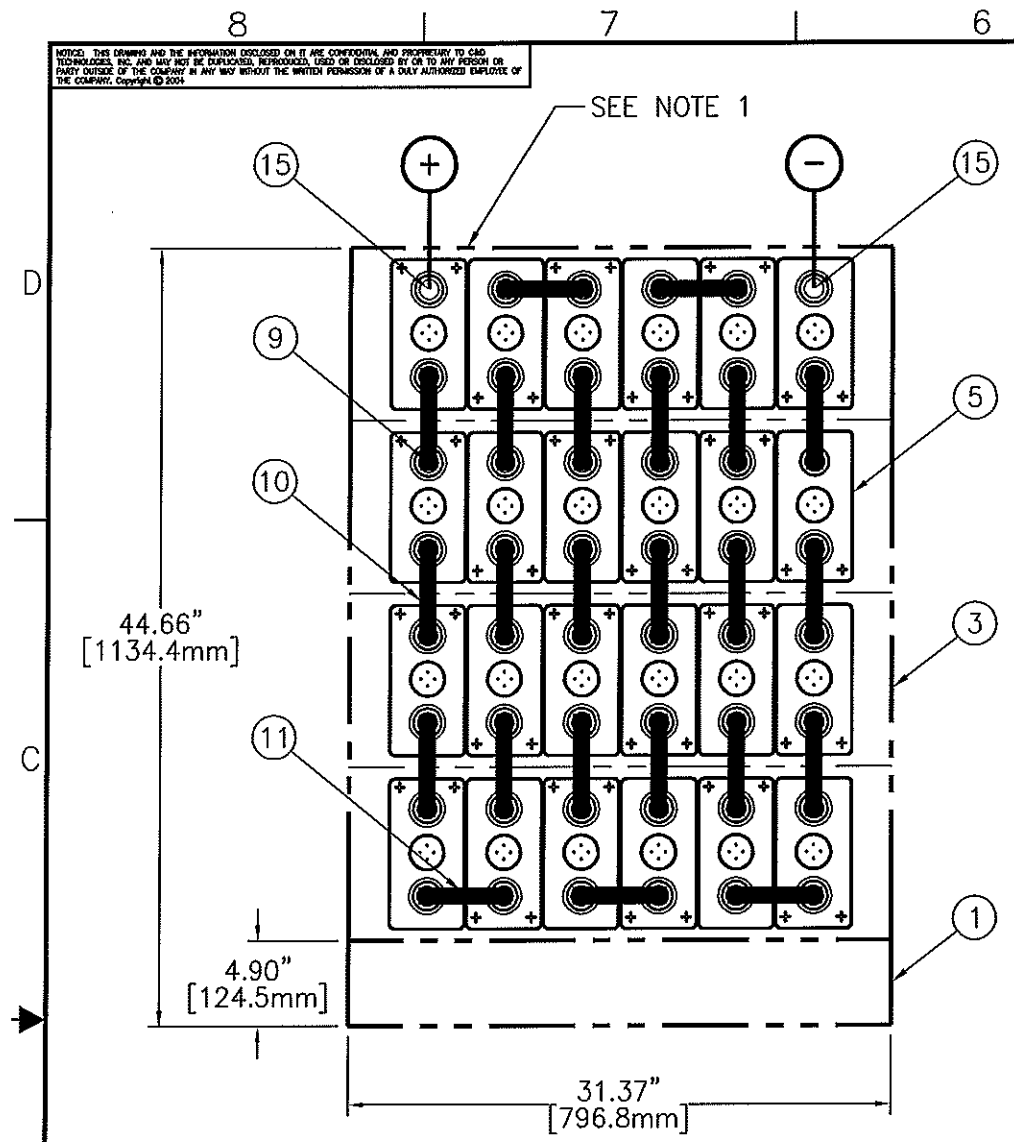


NOTICE: THIS DRAWING AND THE INFORMATION DISCLOSED ON IT ARE CONFIDENTIAL AND PROPRIETARY TO C&D TECHNOLOGIES, INC. AND MAY NOT BE REPRODUCED, REPRODUCED, USED OR DISCLOSED BY OR TO ANY PERSON OR PARTY OUTSIDE OF THE COMPANY IN ANY WAY WITHOUT THE WRITTEN PERMISSION OF A DULY AUTHORIZED EMPLOYEE OF THE COMPANY. Copyright © 2004

ECN#12188

REVISION HISTORY						
ZONE	REV	DESCRIPTION	ECN#	REV'D	CHK'D	DATE
	1	REVISED APPROX SYSTEM WEIGHT, NOTE 4: RS02044 WAS RS01991	13109	DCS	[Signature]	7/14/02



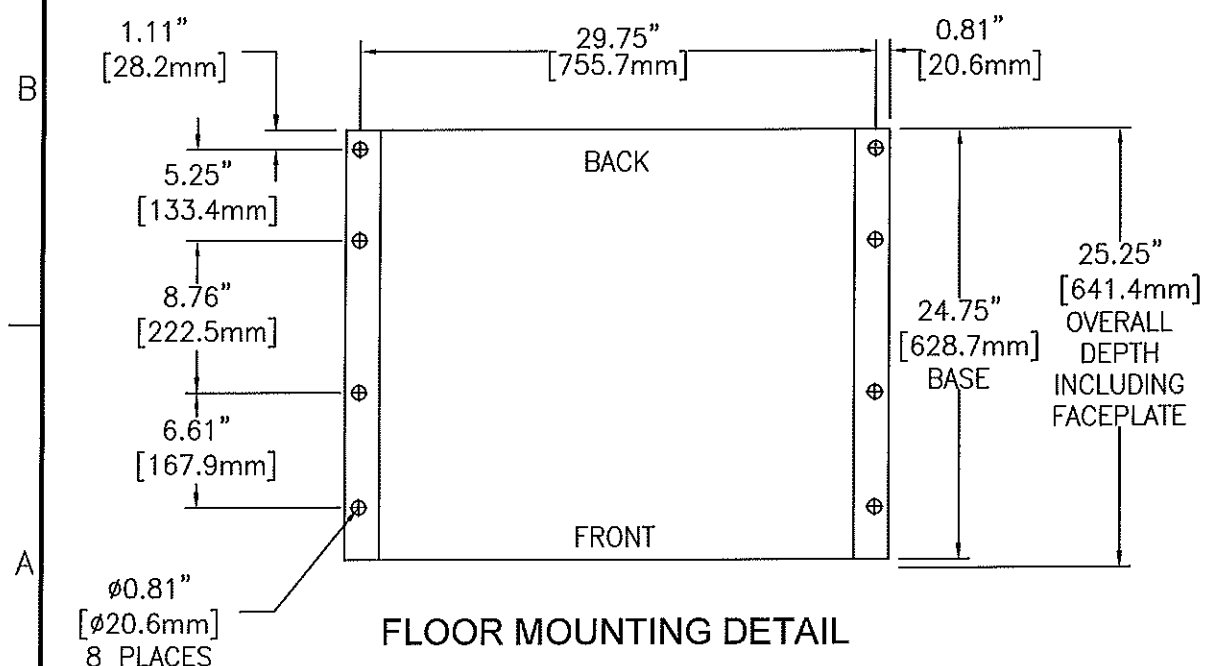
48 VOLT SYSTEM (24) AT-13P CELLS

APPROX SYSTEM WEIGHT: 2,765 LBS [1,254.2 kg]
FLOOR CONTACT AREA: 74.25 SQ IN [47,903 mm²]



SYSTEM NO. E1364024CE01

20	1	RE04454	ACCESSORY KIT (J29536)
19			
18			
17			
16			
15	2	PT00962T	TERMINAL PLATE (M15923)
14			
13			
12			
11	5	PK04260T	CONNECTOR 1.00 x 5.57 x 0.12
10	18	PK04225T	CONNECTOR 1.00 x 5.94 x 0.12
9	2	HDWR-R11	HARDWARE KIT, CONNECTOR
9.1	48	PB00327	BOLT, HEX 5/16-18 x 1.25 S.S
9.2	48	PH01700	WASHER, FLAT S.S.
8	4	PH04006-31	FACEPLATE (K11056)
7	5	HDWR-R13	HARDWARE KIT, FACEPLATE (J29535)
5	24	CW18195	CELL (N03375)
3	4	RD04496-31C	MODULE ASSEMBLY KIT (M14111)
1	1	RD04407-31A	BASE ASSEMBLY KIT (M14028)
ITEM	QTY	PART NO.	DESCRIPTION



- NOTES:
- LOCATE POLARITY OF BATTERIES FOR PROPER ORIENTATION DURING INSTALLATION.
 - FLOOR MOUNTING (ANCHOR) BOLTS ARE NOT FURNISHED.
 - INSTALLATION ANCHOR BOLT SIZE AND TYPE ARE TO BE DETERMINED BY USER IN ACCORDANCE WITH BUILDING CODES APPLICABLE TO THE ARRANGEMENT DESCRIBED ON THIS DRAWING.
 - REFERENCE INSTALLATION MANUAL RS02044 FOR: CONNECTOR TORQUE VALUES, MODULE TO MODULE CONNECTIONS & FACEPLATE MOUNTING DETAILS.
 - CONNECTORS ARE SIZED TO LESS THAN 30mV DROP AT 228.2 AMPS (2 HOUR RATE TO 1.75 VPC).

<small>UNLESS OTHERWISE SPECIFIED DIMENSIONS ARE IN INCHES & TOLERANCES ON DECIMALS</small> X .125 Y .005 Z .010 THIRD ANGLE PROJECTION MATERIAL SEE BOM ABOVE PER: SPEC:	DRAWN C.H. HOUSTON CHECKED R. DAVEY APPROVED P. RALSTON DATE 9/4/08 9/5/08 9/5/08 FILE: E1364024CE01	DATE 9/4/08 9/5/08 9/5/08 TITLE CONNECTION DIAGRAM 48V 6X4 AT-13P DRAWING NUMBER E1364024CE01 SHEET 1 OF 1	C&D TECHNOLOGIES, INC. 1400 UNION MEETING, BLUE BELL, PA 19422-0588 www.cdtechno.com
---	--	---	---