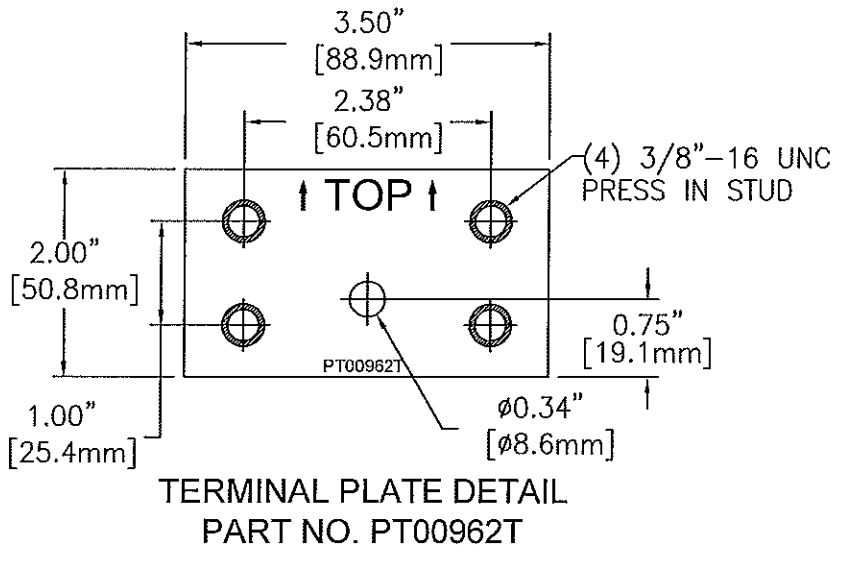
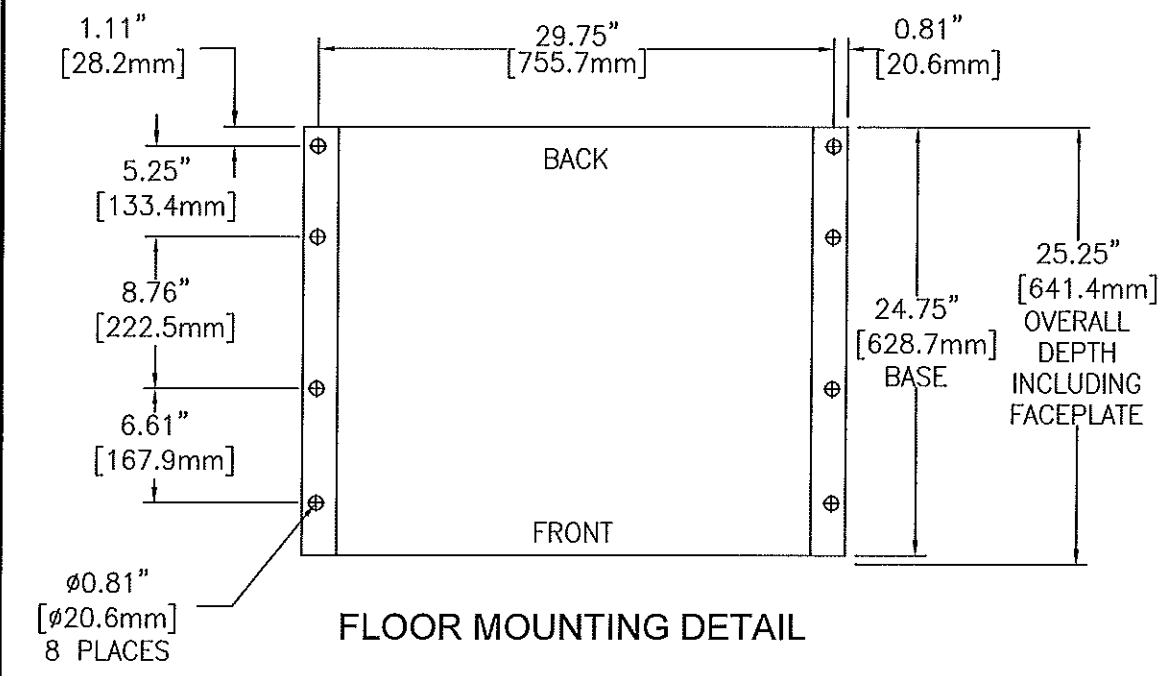
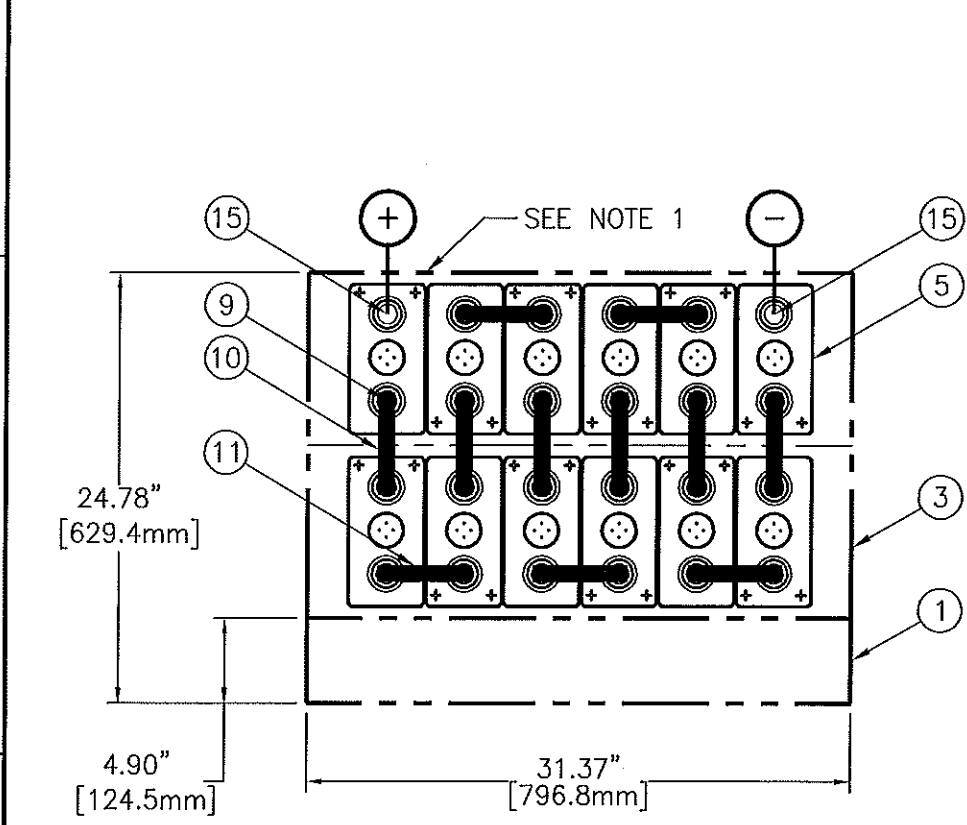


NOTICE: THIS DRAWING AND THE INFORMATION DISCLOSED ON IT ARE CONFIDENTIAL AND PROPRIETARY TO CAD TECHNOLOGIES, INC. AND MAY NOT BE REPRODUCED, COPIED, OR DISCLOSED BY OR TO ANY PERSON OR ENTITY OUTSIDE OF THE COMPANY IN ANY MANNER WITHOUT THE WRITTEN PERMISSION OF A DULY AUTHORIZED EMPLOYEE OF THE COMPANY. Copyright © 2011

ECH#13158

REVISION HISTORY						
ZONE	REV	DESCRIPTION	ECH#	REV'D	CHK'D	DATE



24 VOLT SYSTEM (12) AT-13P CELLS

APPROX SYSTEM WEIGHT: 1,415 LBS [641.8 kg]
FLOOR CONTACT AREA: 74.25 SQ IN [47,903 mm²]



SYSTEM NO. E1362012CE01

ITEM	QTY	PART NO.	DESCRIPTION
20	1	RE04454	ACCESSORY KIT (J29536)
19			
18			
17			
16			
15	2	PT00962T	TERMINAL PLATE (M15923)
14			
13			
12			
11	5	PK04260T	CONNECTOR 1.00 x 5.57 x 0.12
10	6	PK04225T	CONNECTOR 1.00 x 5.94 x 0.12
9	1	HDWR-R11	HARDWARE KIT, CONNECTOR
9.1	24	PB00327	BOLT, HEX 5/16-18 x 1.25 S.S
9.2	24	PH01700	WASHER, FLAT S.S.
8	2	PH04006-31	FACEPLATE (K11056)
7	3	HDWR-R13	HARDWARE KIT, FACEPLATE (J29535)
5	12	CW18195	CELL (N03375)
3	2	RD04496-31C	MODULE ASSEMBLY KIT (M14111)
1	1	RD04407-31A	BASE ASSEMBLY KIT (M14028)

- NOTES:
1. LOCATE POLARITY OF BATTERIES FOR PROPER ORIENTATION DURING INSTALLATION.
 2. FLOOR MOUNTING (ANCHOR) BOLTS ARE NOT FURNISHED.
 3. INSTALLATION ANCHOR BOLT SIZE AND TYPE ARE TO BE DETERMINED BY USER IN ACCORDANCE WITH BUILDING CODES APPLICABLE TO THE ARRANGEMENT DESCRIBED ON THIS DRAWING.
 4. REFERENCE INSTALLATION MANUAL RS02044 FOR: CONNECTOR TORQUE VALUES, MODULE TO MODULE CONNECTIONS & FACEPLATE MOUNTING DETAILS.
 5. CONNECTORS ARE SIZED TO LESS THAN 30mV DROP AT 228.2 AMPS (2 HOUR RATE TO 1.75 VPC).

ALL SHEETS ARE THE SAME REVISION STATUS

CAD TECHNOLOGIES, INC.
1400 UNION MEETING, BLUE BELL, PA 19422-0588
www.cadtechno.com

TITLE: CONNECTION DIAGRAM
24V 6X2 AT-13P

SIZE: D
SCALE: NTS
SHEET 1 OF 1

DATE: 2/20/12
CHECKED: [Signature]
APPROVED: [Signature]

FILE: E1362012CE01