

NOTICE: THIS DRAWING AND THE INFORMATION DISCLOSED ON IT ARE CONFIDENTIAL AND PROPRIETARY TO CAD TECHNOLOGIES, INC. AND MAY NOT BE REPRODUCED, COPIED, REPRODUCED, USED OR DISCLOSED BY OR TO ANY PERSON OR ENTITY OUTSIDE OF THE COMPANY IN ANY MANNER WITHOUT THE WRITTEN PERMISSION OF A SELF-AUTHORIZED EMPLOYEE OF THE COMPANY. Copyright © 2014

ECH#13158

REVISION HISTORY						
ZONE	REV	DESCRIPTION	ECN#	REV'D	CHK'D	DATE

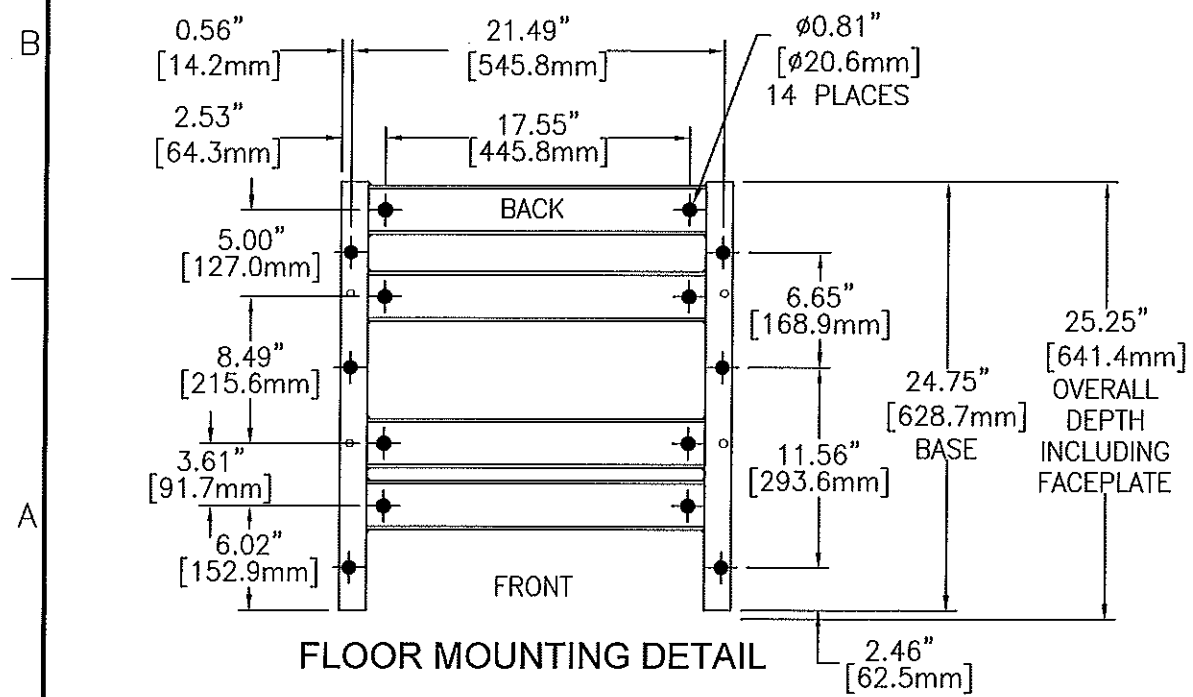
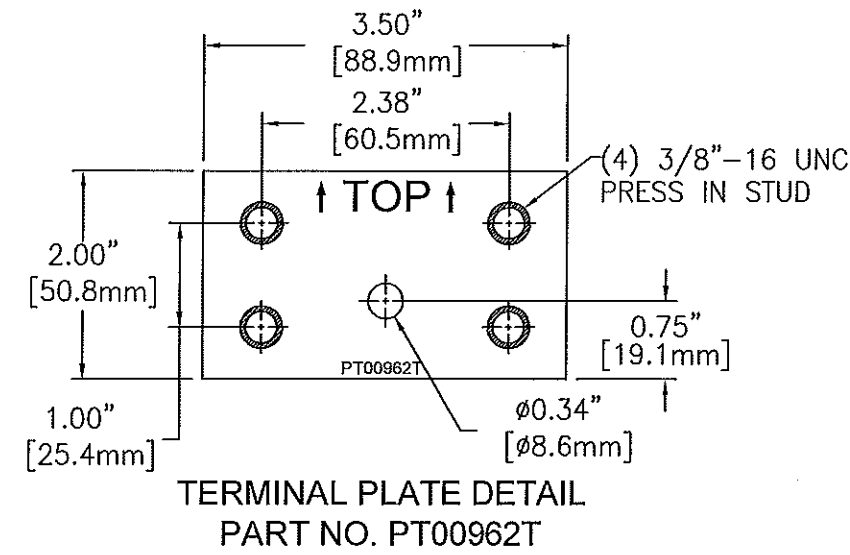
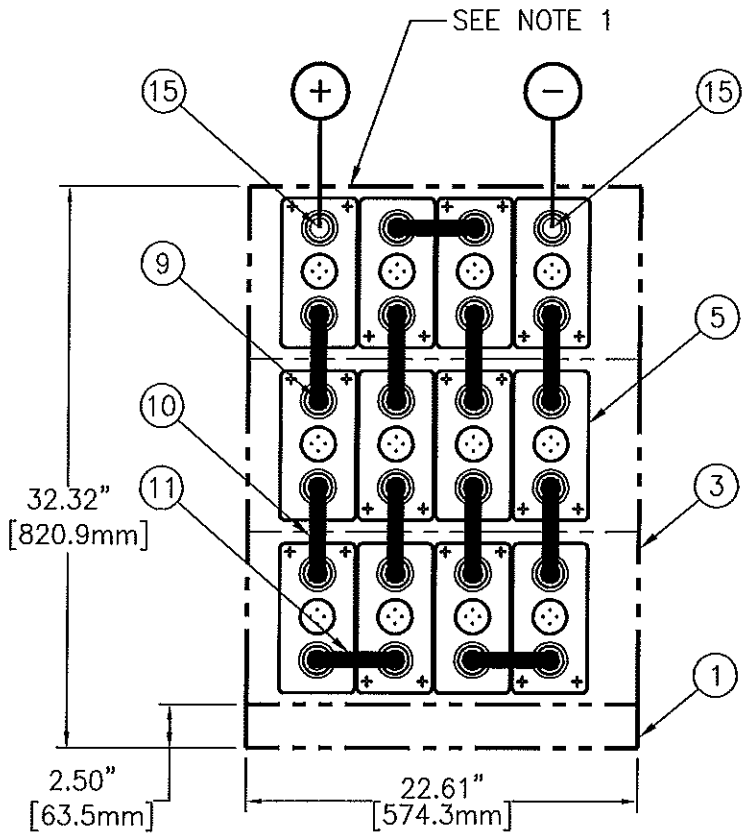
24 VOLT SYSTEM (12) AT-13P CELLS

APPROX. SYSTEM WEIGHT: 1,450 LBS. [657.7 kg]
FLOOR CONTACT AREA: 195.5 SQ. IN. [126,128 mm²]



SYSTEM NO. E1343012CE02

20	1	RE04454	ACCESSORY KIT (J29536)
19			
18			
17			
16			
15	2	PT00962T	TERMINAL PLATE (M15923)
14			
13			
12			
11	3	PK04260T	CONNECTOR 1.00 x 5.57 x 0.12
10	8	PK04225T	CONNECTOR 1.00 x 5.94 x 0.12
9	1	HDWR-R11	HARDWARE KIT, CONNECTOR
9.1	24	PB00327	BOLT, HEX 5/16-18 x 1.25 S.S
9.2	24	PH01700	WASHER, FLAT S.S.
8	3	PH04006-22	FACEPLATE (K11056)
7	4	HDWR-R13	HARDWARE KIT, FACEPLATE (J29535)
5	12	CW18195	CELL (N03375)
3	3	RD04496-22C	MODULE ASSEMBLY KIT (M14111)
1	1	RD04429-22A	BASE ASSEMBLY KIT (M14047)
ITEM	QTY	PART NO.	DESCRIPTION



- NOTES:
1. LOCATE POLARITY OF BATTERIES FOR PROPER ORIENTATION DURING INSTALLATION.
 2. FLOOR MOUNTING (ANCHOR) BOLTS ARE NOT FURNISHED. ALL (14) ANCHORS MUST BE USED TO ACHIEVE NEBS 4 RATING.
 3. INSTALLATION ANCHOR BOLT SIZE & TYPE ARE TO BE DETERMINED BY USER IN ACCORDANCE WITH BUILDING CODES APPLICABLE TO THE ARRANGEMENT DESCRIBED ON THIS DRAWING.
 4. REFERENCE INSTALLATION MANUAL RS02044 FOR: CONNECTOR TORQUE VALUES, MODULE TO MODULE CONNECTIONS & FACEPLATE MOUNTING DETAILS.
 5. CONNECTORS ARE SIZED TO LESS THAN 30mV DROP AT 228.2 AMPS (2 HOUR RATE TO 1.75 VPC).

<small>UNLESS OTHERWISE SPECIFIED DIMENSIONS ARE IN INCHES & DECIMALS OF AN INCH</small> X 1/16" TOLERANCE THIRD ANGLE PROJECTION MATERIAL SEE BOM ABOVE PER: SPEC:	DRAWN D. STOCK CHECKED [Signature] DATE 2/17/12 APPROVED [Signature] DATE 3/22/12	<small>ALL SHEETS ARE THE SAME REVISION STATUS</small> CAD TECHNOLOGIES, INC. 1400 UNION MEETING, BLUE BELL, PA 19422-0588 www.cadtrn.com TITLE CONNECTION DIAGRAM 24V 4X3 AT-13P NEBS 4 SIZE D CASE CODE DRAWING NUMBER E1343012CE02 REVISION 0 SCALE NTS SHEET 1 OF 1 12/2000
---	---	--