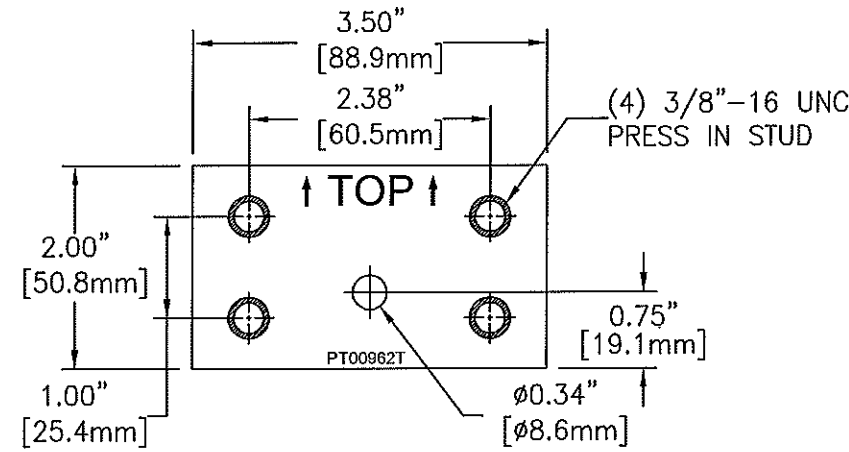
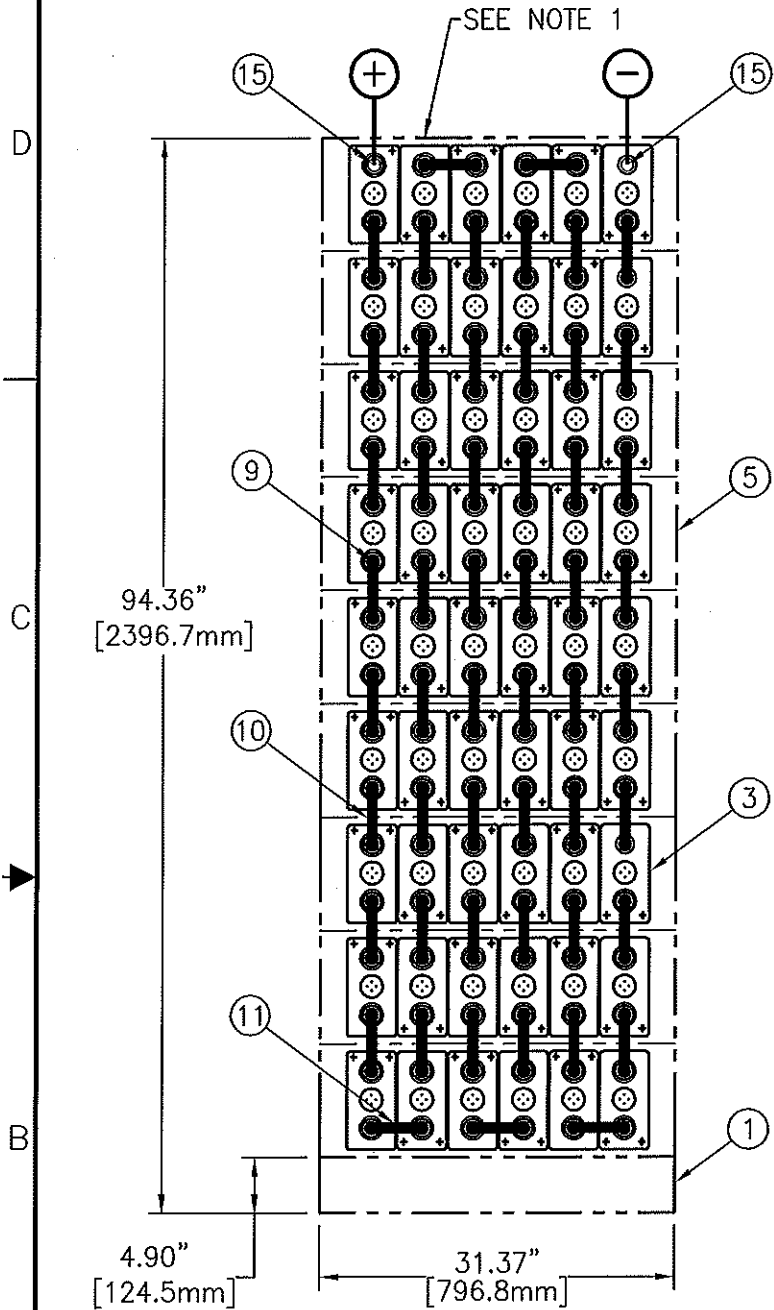


NOTICE: THIS DRAWING AND THE INFORMATION CONTAINED ON IT ARE CONFIDENTIAL AND PROPRIETARY TO CAD TECHNOLOGIES, INC. AND MAY NOT BE REPRODUCED, COPIED, OR DISCLOSED BY OR TO ANY PERSON OR PARTY OUTSIDE OF THE COMPANY IN ANY WAY WITHOUT THE WRITTEN PERMISSION OF A DULY AUTHORIZED EMPLOYEE OF THE COMPANY. Copyright © 2004.

ECN13511

REVISION HISTORY

ZONE	REV	DESCRIPTION	ECN#	REV'D	CHK'D	DATE	APPROVED



TERMINAL PLATE DETAIL
PART NO. PT00962T

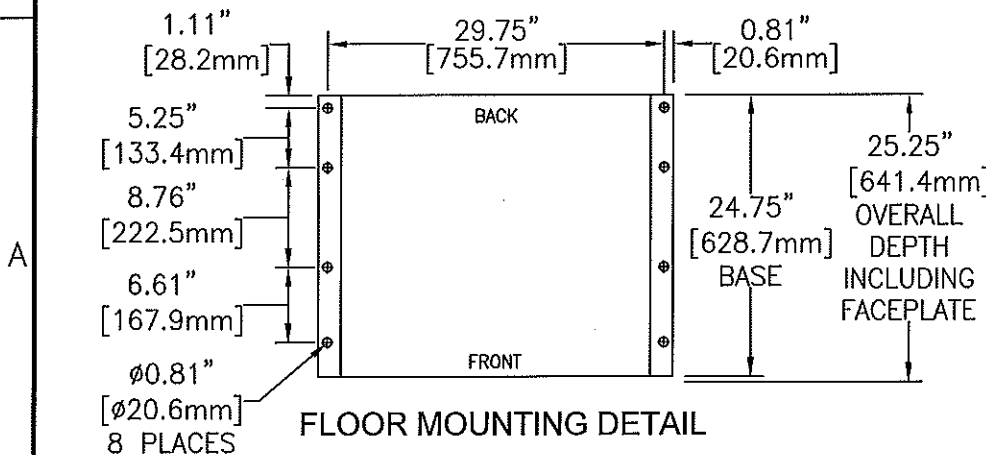
**108 VOLT SYSTEM
(54) AT-11P CELLS**

APPROX. SYSTEM WEIGHT: 5,575 LBS. [2,528.8 kg.]
FLOOR CONTACT AREA: 74.25 SQ. IN. [47,903 mm²]



SYSTEM NO. E1169054CE01

ITEM	QTY	PART NO.	DESCRIPTION
20	1	RE04455-60	ACCESSORY KIT (J29537)
19			
18			
17			
16			
15	2	PT00962T	TERMINAL PLATE (M15923)
14			
13			
12			
11	5	PK04260T	CONNECTOR 1.00 X 5.57 X 0.12
10	48	PK04225T	CONNECTOR 1.00 x 5.94 x 0.12
9	5	HDWR-R11	HARDWARE KIT, CONNECTOR
9.1	108	PB00327	BOLT, HEX 5/16-18 x 1.25 S.S
9.2	108	PH01700	WASHER, FLAT S.S.
8	9	PH04006-31	FACEPLATE (K11056)
7	10	HDWR-R13	HARDWARE KIT, FACEPLATE (J29535)
5	54	CW18225	CELL (N03375)
3	9	RD04496-31C	MODULE ASSEMBLY KIT (M14111)
1	1	RD04407-31A	BASE ASSEMBLY KIT (M14028)



FLOOR MOUNTING DETAIL

NOTES:

1. LOCATE POLARITY OF BATTERIES FOR PROPER ORIENTATION DURING INSTALLATION.
2. FLOOR MOUNTING (ANCHOR) BOLTS ARE NOT FURNISHED.
3. INSTALLATION ANCHOR BOLT SIZE & TYPE ARE TO BE DETERMINED BY USER IN ACCORDANCE WITH BUILDING CODES APPLICABLE TO THE ARRANGEMENT DESCRIBED ON THIS DRAWING.
4. REFERENCE INSTALLATION MANUAL RS02044 FOR: CONNECTOR TORQUE VALUES, MODULE TO MODULE CONNECTIONS & FACEPLATE MOUNTING DETAILS.
5. CONNECTORS ARE SIZED TO THE 1 MIN. RATE TO 1.75 FINAL VPC AT 662.1 AMPS. CONNECTORS RESULT IN <30mV DROP.

<small>PLEASE OTHERWISE SPECIFY DIMENSIONS IN INCHES</small> DATE: 3/9/13 DRAWN: M. NEESE CHECKED: [Signature] APPROVED: [Signature]		<small>ALL SHEETS ARE THE SAME REVISION STATUS</small> CAD TECHNOLOGIES, INC. 1400 UNION MEETING, BLUE BELL, PA 19422-0588 www.cadtech.com	
TITLE: CONNECTION DIAGRAM 108V 6X9 AT-11P		SCALE: NTS SHEET 1 OF 1	