

NOTICE: THIS DRAWING AND THE INFORMATION DISCLOSED ON IT ARE CONFIDENTIAL AND PROPRIETARY TO CAD TECHNOLOGIES, INC. AND MAY NOT BE DUPLICATED, REPRODUCED, USED OR DISCLOSED BY OR TO ANY PERSON OR PARTY OUTSIDE OF THE COMPANY IN ANY MANNER WITHOUT THE WRITTEN PERMISSION OF A DULY AUTHORIZED EMPLOYEE OF THE COMPANY. COPYRIGHT © 2004

ECN #12765

REVISION HISTORY						
ZONE	REV	DESCRIPTION	ECN#	REV'D	CHK'D	DATE

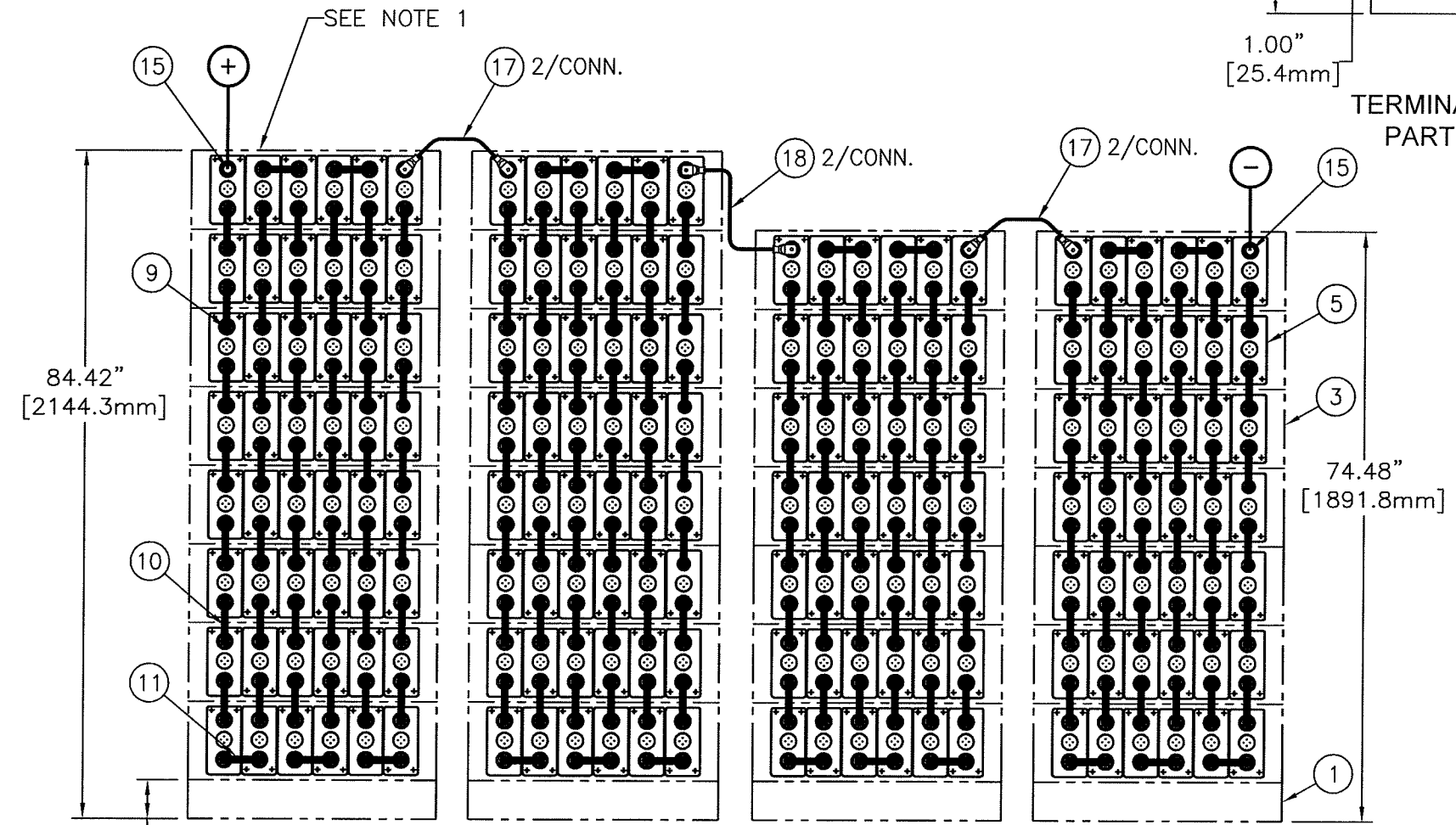
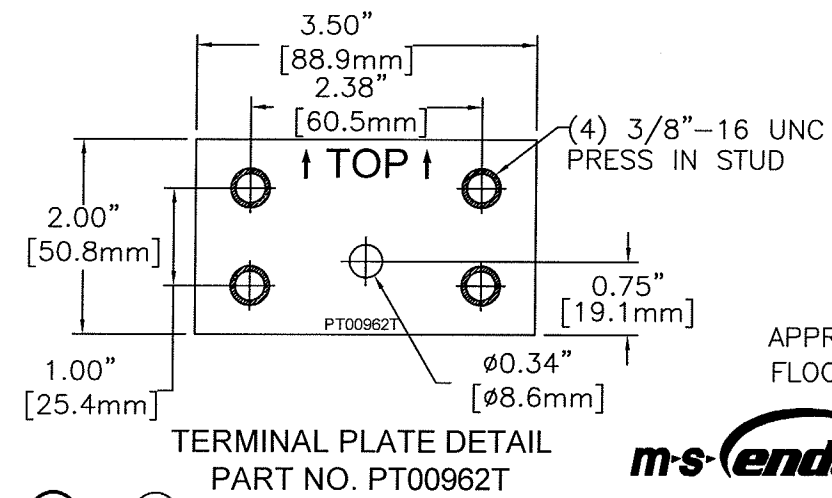
### 360 VOLT SYSTEM (180) AT-11P CELLS

APPROX. SYSTEM WEIGHT: 18,620 LBS. [8,445.9 kg]  
FLOOR CONTACT AREA: 297 SQ. IN. [191,612 mm<sup>2</sup>]



SYSTEM NO. E1168180CE01

20	1	RE04455-240	ACCESSORY KIT (J29537)
19			
18	2	RA02250-30	4/0 CABLE 30" LONG
17	4	RA02250-21	4/0 CABLE 21" LONG
16			
15	2	PT00962T	TERMINAL PLATE (M15923)
14			
13			
12			
11	20	PK04260T	CONNECTOR 1.00 X 5.57 X 0.12
10	156	PK04225T	CONNECTOR 1.00 x 5.94 x 0.12
9	15	HDWR-R11	HARDWARE KIT, CONNECTOR
9.1	360	PB00327	BOLT, HEX 5/16-18 x 1.25 S.S.
9.2	360	PH01700	WASHER, FLAT S.S.
8	30	PH04006-31	FACEPLATE (K11056)
7	34	HDWR-R13	HARDWARE KIT, FACEPLATE (J29535)
5	180	CW18225	CELL (N03375)
3	30	RD04496P-31C	MODULE ASSEMBLY KIT (M14111)
1	4	RD04407-31A	BASE ASSEMBLY KIT (M14028)
ITEM	QTY	PART NO.	DESCRIPTION



- NOTES:
1. LOCATE POLARITY OF BATTERIES FOR PROPER ORIENTATION DURING INSTALLATION.
  2. FLOOR MOUNTING (ANCHOR) BOLTS ARE NOT FURNISHED.
  3. INSTALLATION ANCHOR BOLT SIZE & TYPE ARE TO BE DETERMINED BY USER IN ACCORDANCE WITH BUILDING CODES APPLICABLE TO THE ARRANGEMENT DESCRIBED ON THIS DRAWING.
  4. REFERENCE INSTALLATION MANUAL RS02044 FOR: CONNECTOR TORQUE VALUES, MODULE TO MODULE CONNECTIONS & FACEPLATE MOUNTING DETAILS.
  5. CONNECTORS AND CABLES ARE SIZED TO THE 15 MIN RATE TO 1.67 FINAL VPC AT 639.4 AMPS. CONNECTORS RESULT IN <30mV DROP AND CABLES RESULT IN <100mV DROP.

UNLESS OTHERWISE SPECIFIED DIMENSIONS ARE IN INCHES & TOLERANCES ARE:

FINISH	DATE	8/4/10
DRAWN	D. STOCK	
CHECKED		
APPROVED		

THIRD ANGLE PROJECTION

1400 UNION MEETING, BLUE BELL, PA 19422-0588  
www.cadtechno.com

CONNECTION DIAGRAM  
360V 6X8 AT-11P

SCALE NTS SHEET 1 OF 1

FLOOR MOUNTING DETAIL