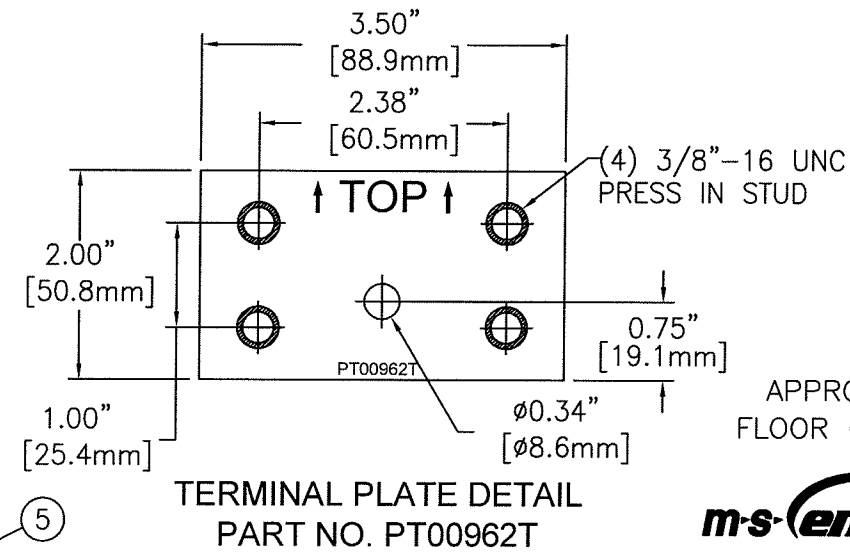
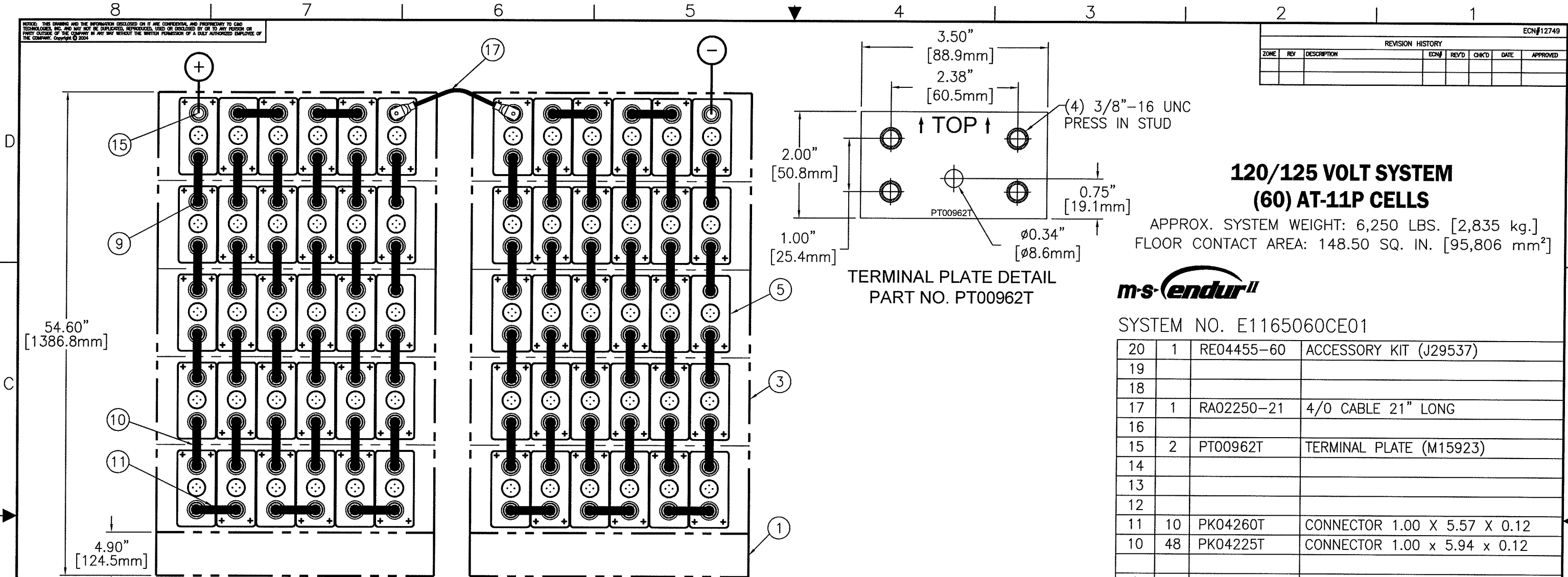


NOTES: THIS DRAWING AND THE INFORMATION ENCLOSED ON IT ARE CONFIDENTIAL AND PROPRIETARY TO CAD TECHNOLOGIES, INC. AND MAY NOT BE REPRODUCED, COPIED, USED OR DISCLOSED BY OR TO ANY PERSON OR PARTY OUTSIDE OF THE COMPANY IN ANY WAY WITHOUT THE WRITTEN PERMISSION OF A DULY AUTHORIZED EMPLOYEE OF THE COMPANY. Copyright © 2004.

ECN#12749

REVISION HISTORY						
ZONE	REV	DESCRIPTION	ED#	REV'D	CHK'D	DATE



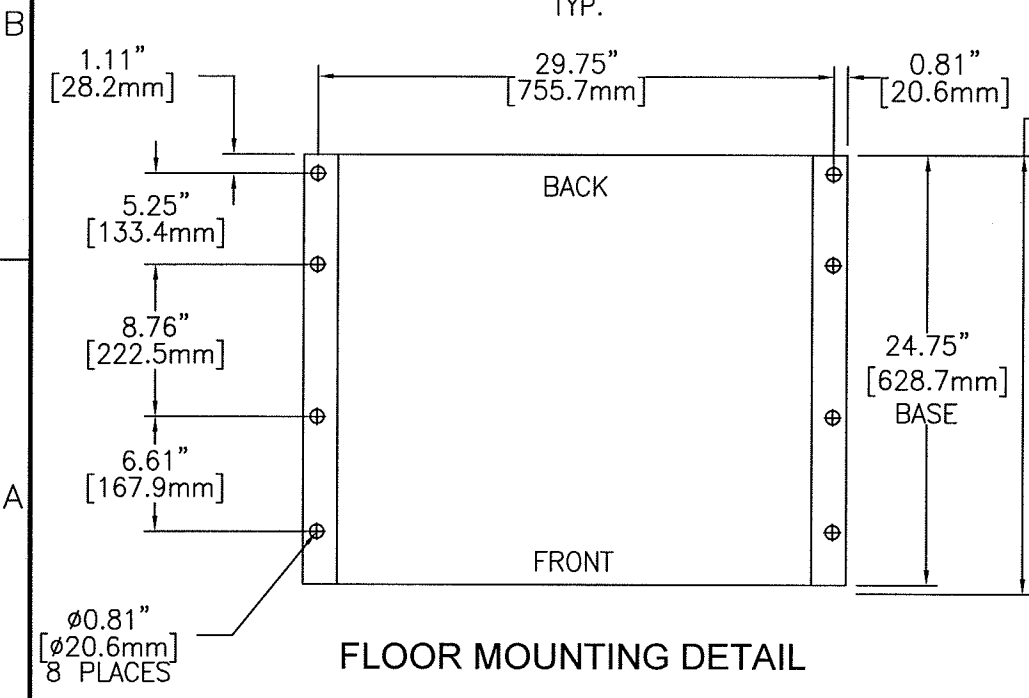
120/125 VOLT SYSTEM (60) AT-11P CELLS

APPROX. SYSTEM WEIGHT: 6,250 LBS. [2,835 kg.]
FLOOR CONTACT AREA: 148.50 SQ. IN. [95,806 mm²]



SYSTEM NO. E1165060CE01

20	1	RE04455-60	ACCESSORY KIT (J29537)
19			
18			
17	1	RA02250-21	4/0 CABLE 21" LONG
16			
15	2	PT00962T	TERMINAL PLATE (M15923)
14			
13			
12			
11	10	PK04260T	CONNECTOR 1.00 X 5.57 X 0.12
10	48	PK04225T	CONNECTOR 1.00 x 5.94 x 0.12
9	5	HDWR-R11	HARDWARE KIT, CONNECTOR
9.1	120	PB00327	BOLT, HEX 5/16-18 x 1.25 S.S
9.2	120	PH01700	WASHER, FLAT S.S.
8	10	PH04006-31	FACEPLATE (K11056)
7	12	HDWR-R13	HARDWARE KIT, FACEPLATE (J29535)
5	60	CW18225	CELL (N03375)
3	10	RD04496-31C	MODULE ASSEMBLY KIT (M14111)
1	2	RD04407-31A	BASE ASSEMBLY KIT (M14028)
ITEM	QTY	PART NO.	DESCRIPTION



25.25" [641.4mm]
OVERALL DEPTH
INCLUDING FACEPLATE

- NOTES:
1. LOCATE POLARITY OF BATTERIES FOR PROPER ORIENTATION DURING INSTALLATION.
 2. FLOOR MOUNTING (ANCHOR) BOLTS ARE NOT FURNISHED.
 3. INSTALLATION ANCHOR BOLT SIZE & TYPE ARE TO BE DETERMINED BY USER IN ACCORDANCE WITH BUILDING CODES APPLICABLE TO THE ARRANGEMENT DESCRIBED ON THIS DRAWING.
 4. REFERENCE INSTALLATION MANUAL RS02044 FOR: CONNECTOR TORQUE VALUES, MODULE TO MODULE CONNECTIONS & FACEPLATE MOUNTING DETAILS.
 5. CONNECTORS AND CABLES ARE SIZED TO THE 1 MIN RATE TO 1.75 FINAL VPC AT 662.1 AMPS. CONNECTORS RESULT IN <30mV DROP AND CABLES RESULT IN <100mV DROP.

<small>UNLESS OTHERWISE SPECIFIED DIMENSIONS ARE IN INCHES & TOLERANCES ON:</small> FINISHES: X .XX, .XX, .XX TOLERANCES: .12" THIRD ANGLE PROJECTION <small>SEE BOM ABOVE</small>	<small>DRAWN BY:</small> D. STOCK <small>CHECKED BY:</small> [Signature] <small>DATE:</small> 7/13/10 <small>APPROVED BY:</small> [Signature] <small>DATE:</small> 7/16/10	CAD TECHNOLOGIES, INC. 1400 UNION MEETING, BLUE BELL, PA 19422-0588 www.cadtechno.com CONNECTION DIAGRAM 120/125V 6X5 AT-11P DRAWING NUMBER: E1165060CE01 REGION: 0
<small>PER:</small> [Signature] <small>SPEC:</small> [Signature]	<small>FILE:</small> E1165060CE01	<small>SCALE:</small> NTS <small>SHEET:</small> 1 OF 1