

### 240 VOLT SYSTEM (120) AT-11P CELLS

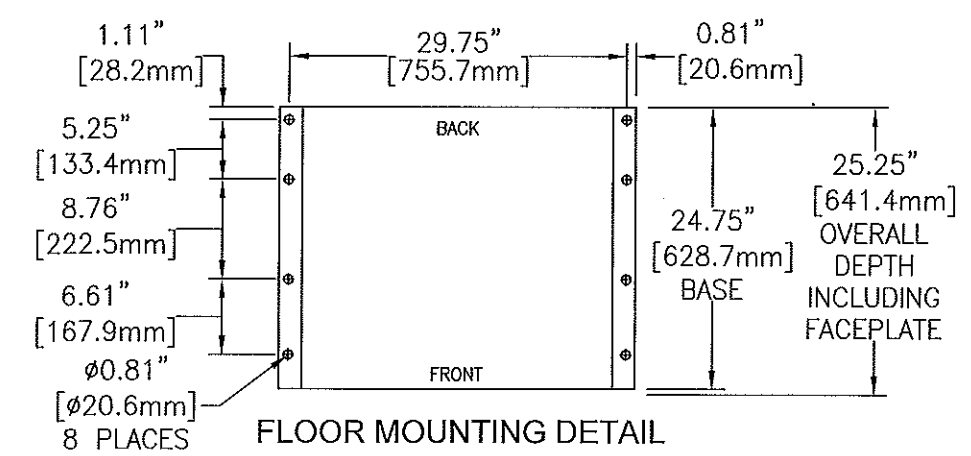
APPROX. SYSTEM WEIGHT: 12,370 LBS. [5,610.9 kg.]  
FLOOR CONTACT AREA: 148.5 SQ. IN. [95,806 mm<sup>2</sup>]



SYSTEM NO. E1160120CE01

| ITEM | QTY | PART NO.    | DESCRIPTION                      |
|------|-----|-------------|----------------------------------|
| 20   | 1   | RE04455-120 | ACCESSORY KIT (J29537)           |
| 19   |     |             |                                  |
| 18   |     |             |                                  |
| 17   | 1   | RA02250-21  | 4/0 CABLE 21" LONG               |
| 16   |     |             |                                  |
| 15   | 2   | PT00962T    | TERMINAL PLATE (M15923)          |
| 14   |     |             |                                  |
| 13   |     |             |                                  |
| 12   |     |             |                                  |
| 11   | 10  | PK04260T    | CONNECTOR 1.00 X 5.57 X 0.12     |
| 10   | 108 | PK04225T    | CONNECTOR 1.00 x 5.94 x 0.12     |
| 9    | 10  | HDWR-R11    | HARDWARE KIT, CONNECTOR          |
| 9.1  | 240 | PB00327     | BOLT, HEX 5/16-18 x 1.25 S.S.    |
| 9.2  | 240 | PH01700     | WASHER, FLAT S.S.                |
| 8    | 20  | PH04006-31  | FACEPLATE (K11056)               |
| 7    | 22  | HDWR-R13    | HARDWARE KIT, FACEPLATE (J29535) |
| 5    | 120 | CW18225     | CELL (N03375)                    |
| 3    | 20  | RD04496-31C | MODULE ASSEMBLY KIT (M14111)     |
| 1    | 2   | RD04407-31A | BASE ASSEMBLY KIT (M14028)       |

- NOTES:**
1. LOCATE POLARITY OF BATTERIES FOR PROPER ORIENTATION DURING INSTALLATION.
  2. FLOOR MOUNTING (ANCHOR) BOLTS ARE NOT FURNISHED.
  3. INSTALLATION ANCHOR BOLT SIZE & TYPE ARE TO BE DETERMINED BY USER IN ACCORDANCE WITH BUILDING CODES APPLICABLE TO THE ARRANGEMENT DESCRIBED ON THIS DRAWING.
  4. REFERENCE INSTALLATION MANUAL RS02044 FOR: CONNECTOR TORQUE VALUES, MODULE TO MODULE CONNECTIONS & FACEPLATE MOUNTING DETAILS.
  5. CONNECTORS AND CABLES ARE SIZED TO THE 15 MIN. RATE TO 1.67 FINAL VPC AT 639.4 AMPS. CONNECTORS RESULT IN LESS THAN 30mV DROP AND CABLES RESULT IN LESS THAN 100mV DROP.



|  |            |          |           |   |
|--|------------|----------|-----------|---|
| UNLESS OTHERWISE SPECIFIED DIMENSIONS ARE IN INCHES. |            | DATE     | 3/8/13    | <p>1400 UNION MEETING, BLUE BELL, PA 19422-0588<br/>www.mst.com</p>   |
| DESIGNED BY  | M. NEESE   | CHECKED  | Y. HODGES |   |
| DRAWN BY   | P. RALSTON | APPROVED | 3/11/13   |   |
| THIRD ANGLE PROJECTION                               |            |          |           |   |
| SEE BOM ABOVE  |            |          |           | <p>CONNECTION DIAGRAM<br/>240V 6X10 AT-11P</p> <p>SIZE D CASE CODE D1160120CE01</p> <p>SCALE NTS SHEET 1 OF 1</p> |