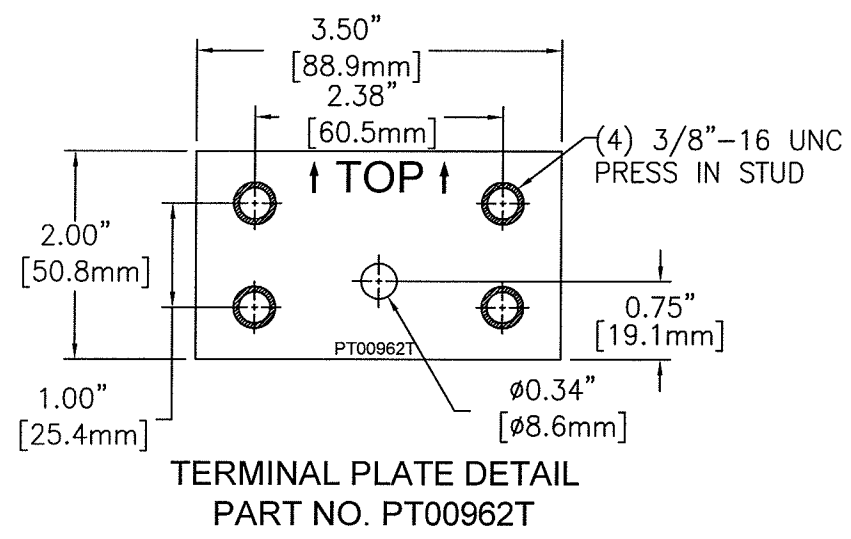
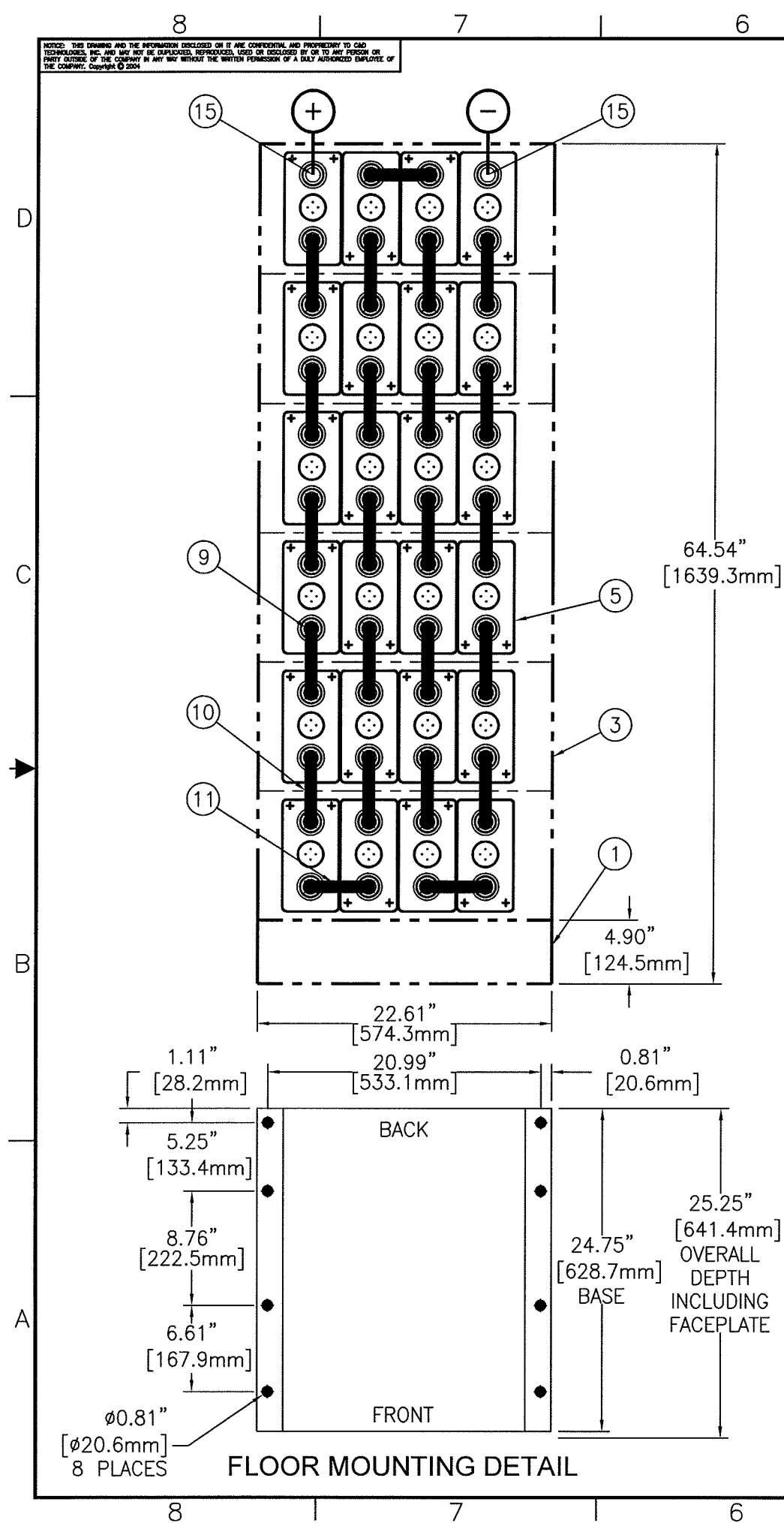


NOTICE: THIS DRAWING AND THE INFORMATION DISCLOSED ON IT ARE CONFIDENTIAL AND PROPRIETARY TO CAD TECHNOLOGIES, INC. AND MAY NOT BE DUPLICATED, REPRODUCED, USED OR DISCLOSED BY OR TO ANY PERSON OR PARTY OUTSIDE OF THE COMPANY IN ANY WAY WITHOUT THE WRITTEN PERMISSION OF A DULY AUTHORIZED EMPLOYEE OF THE COMPANY. Copyright © 2004

ECN#12709

| REVISION HISTORY |     |             |      |       |       |      |
|------------------|-----|-------------|------|-------|-------|------|
| ZONE             | REV | DESCRIPTION | ECN# | REV'D | CHK'D | DATE |
|                  |     |             |      |       |       |      |
|                  |     |             |      |       |       |      |



### 48 VOLT SYSTEM (24) AT-11P CELLS

APPROX. SYSTEM WEIGHT: 2,580 LBS. [1,170.3 kg]  
FLOOR CONTACT AREA: 74.25 SQ. IN. [47,903 mm<sup>2</sup>]



SYSTEM NO. E1146024CE01

| 20   | 1   | RE04454     | ACCESSORY KIT (J29536)           |
|------|-----|-------------|----------------------------------|
| 19   |     |             |                                  |
| 18   |     |             |                                  |
| 17   |     |             |                                  |
| 16   |     |             |                                  |
| 15   | 2   | PT00962T    | TERMINAL PLATE (M15923)          |
| 14   |     |             |                                  |
| 13   |     |             |                                  |
| 12   |     |             |                                  |
| 11   | 3   | PK04260T    | CONNECTOR 1.00 X 5.57 X 0.12     |
| 10   | 20  | PK04225T    | CONNECTOR 1.00 x 5.94 x 0.12     |
| 9    | 2   | HDWR-R11    | HARDWARE KIT, CONNECTOR          |
| 9.1  | 48  | PB00327     | BOLT, HEX 5/16-18 x 1.25 S.S     |
| 9.2  | 48  | PH01700     | WASHER, FLAT S.S.                |
| 8    | 6   | PH04006-22  | FACEPLATE (K11056)               |
| 7    | 7   | HDWR-R13    | HARDWARE KIT, FACEPLATE (J29535) |
| 5    | 24  | CW18225     | CELL (N03375)                    |
| 3    | 6   | RD04496-22C | MODULE ASSEMBLY KIT (M14111)     |
| 1    | 1   | RD04407-22A | BASE ASSEMBLY KIT (M14028)       |
| ITEM | QTY | PART NO.    | DESCRIPTION                      |

- NOTES:
1. LOCATE POLARITY OF BATTERIES FOR PROPER ORIENTATION DURING INSTALLATION.
  2. FLOOR MOUNTING (ANCHOR) BOLTS ARE NOT FURNISHED.
  3. INSTALLATION ANCHOR BOLT SIZE & TYPE ARE TO BE DETERMINED BY USER IN ACCORDANCE WITH BUILDING CODES APPLICABLE TO THE ARRANGEMENT DESCRIBED ON THIS DRAWING.
  4. REFERENCE INSTALLATION MANUAL RS02044 FOR: CONNECTOR TORQUE VALUES, MODULE TO MODULE CONNECTIONS & FACEPLATE MOUNTING DETAILS.
  5. CONNECTORS ARE SIZED TO LESS THAN 30mV DROP AT 212.7 AMPS (2 HOUR RATE TO 1.75 VPC).

|                                                                                 |                         |                          |                   |
|---------------------------------------------------------------------------------|-------------------------|--------------------------|-------------------|
| UNLESS OTHERWISE SPECIFIED DIMENSIONS ARE IN INCHES & FRACTIONS ON THIS DRAWING |                         | DRAWN BY: HODGES         | DATE: 5/21/10     |
| TOLERANCES UNLESS OTHERWISE SPECIFIED                                           |                         | APPROVED BY: [Signature] | DATE: 5/21/10     |
| THIRD ANGLE PROJECTION                                                          |                         | PER: [Signature]         | SPEC: [Signature] |
| SEE BOM ABOVE                                                                   |                         | FILE: E1146024CE01       |                   |
| ALL SHEETS ARE THE SAME REVISION STATUS                                         |                         |                          |                   |
|                                                                                 |                         |                          |                   |
| 1400 UNION MEETING, BLUE BELL, PA 19422-0588                                    |                         |                          |                   |
| TITLE: CONNECTION DIAGRAM 48V 4X6 AT-11P                                        |                         |                          |                   |
| SIZE: D                                                                         | CAGE CODE: E1146024CE01 | DRAWING NUMBER: 0        | REVISION: 0       |
| SCALE: NTS                                                                      | SHEET 1 OF 1            |                          | 12/2000           |