

NOTICE: THIS DRAWING AND THE INFORMATION DISCLOSED ON IT ARE CONFIDENTIAL AND PROPRIETARY TO CAD TECHNOLOGIES, INC. AND MAY NOT BE DUPLICATED, REPRODUCED, USED OR DISCLOSED BY OR TO ANY PERSON OR PARTY OUTSIDE OF THE COMPANY IN ANY WAY WITHOUT THE WRITTEN PERMISSION OF A DULY AUTHORIZED EMPLOYEE OF THE COMPANY. COPYRIGHT © 2004.

ECN#12765

REVISION HISTORY							
ZONE	REV	DESCRIPTION	ECN#	REV'D	CHK'D	DATE	APPROVED

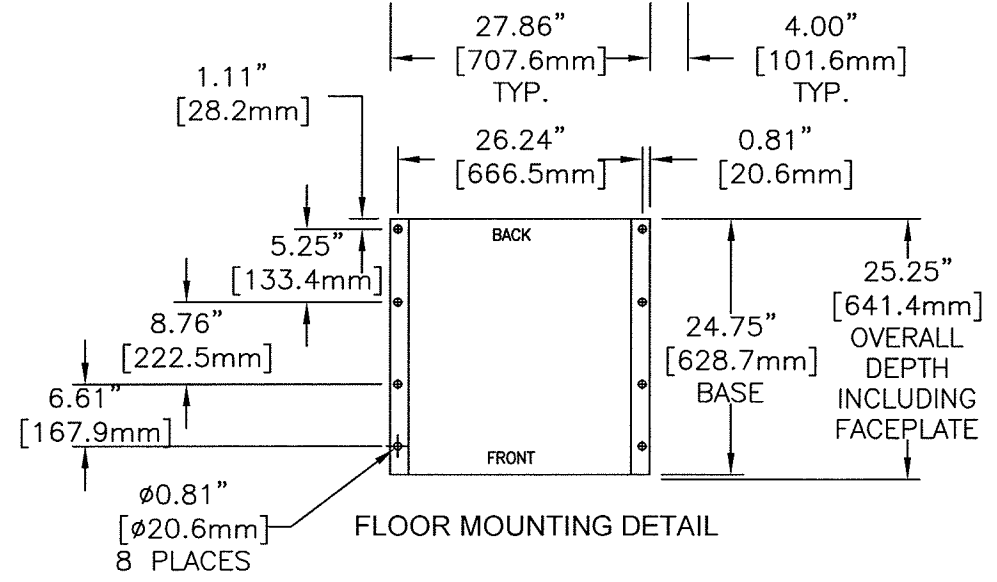
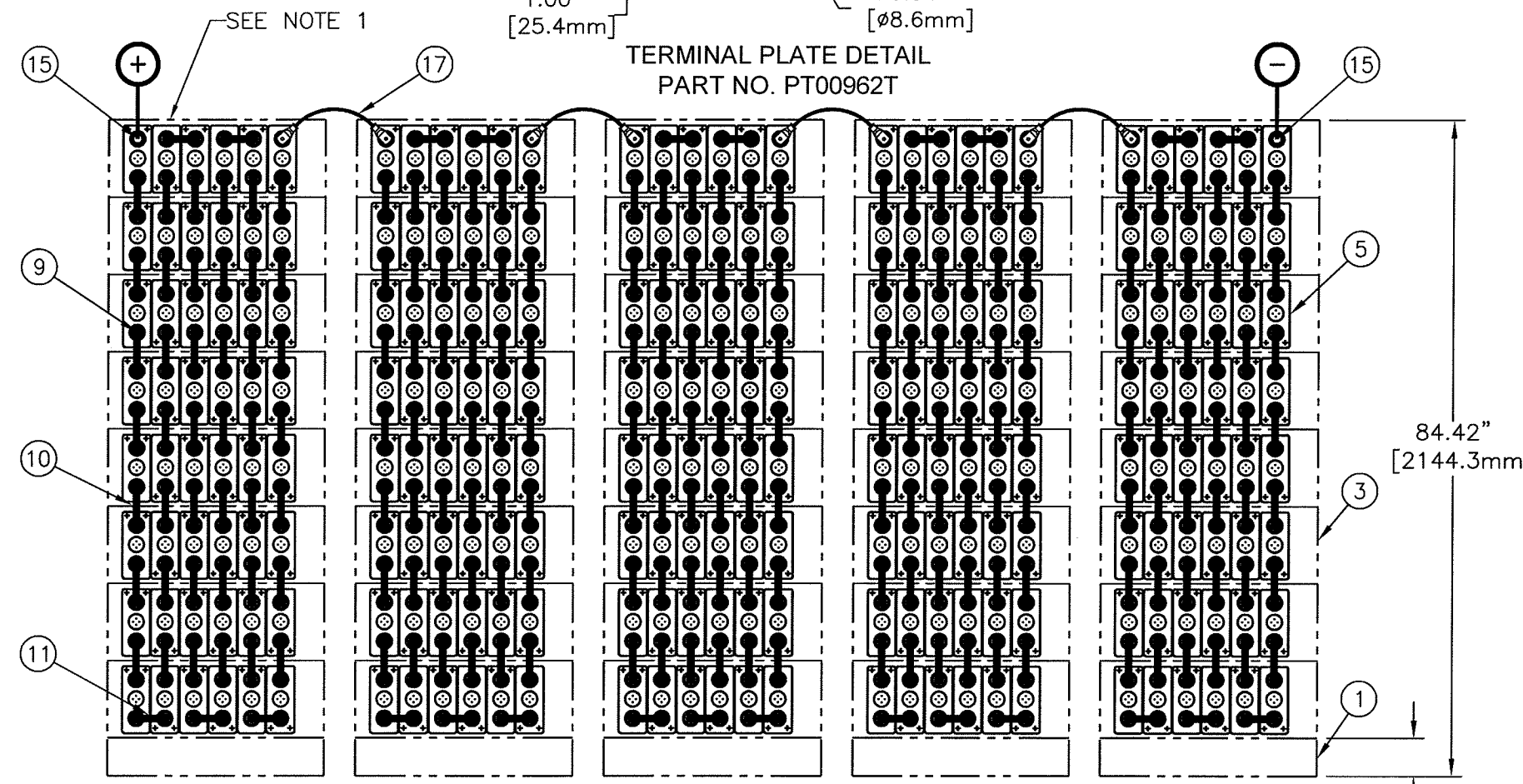
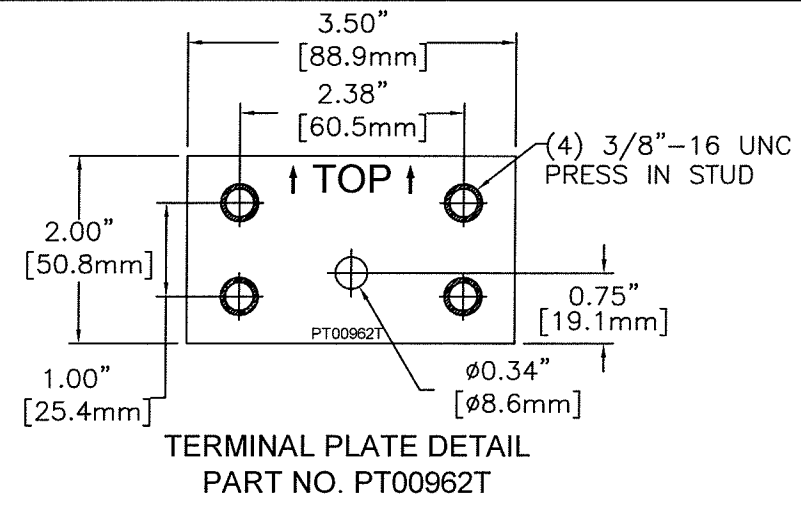
### 480 VOLT SYSTEM (240) AT-09P CELLS

APPROX. SYSTEM WEIGHT: 21,505 LBS. [9,754.5 kg]  
FLOOR CONTACT AREA: 371.25 SQ. IN. [239,515 mm<sup>2</sup>]



SYSTEM NO. E0968240CE01

20	1	RE04455-240	ACCESSORY KIT (J29537)
19			
18			
17	4	RA02250-18	4/0 CABLE 18" LONG
16			
15	2	PT00962T	TERMINAL PLATE (M15923)
14			
13			
12			
11	25	PK04258T	CONNECTOR 1.00 x 4.84 x 0.12
10	210	PK04225T	CONNECTOR 1.00 x 5.94 x 0.12
9	20	HDWR-R11	HARDWARE KIT, CONNECTOR
9.1	480	PB00327	BOLT, HEX 5/16-18 x 1.25 S.S.
9.2	480	PH01700	WASHER, FLAT S.S.
8	40	PH04006-27	FACEPLATE (K11056)
7	45	HDWR-R13	HARDWARE KIT, FACEPLATE (J29535)
5	240	CW18224	CELL (N03375)
3	40	RDO4496P-27B	MODULE ASSEMBLY KIT (M14111)
1	5	RD04407-27A	BASE ASSEMBLY KIT (M14028)
ITEM	QTY	PART NO.	DESCRIPTION



- NOTES:
- LOCATE POLARITY OF BATTERIES FOR PROPER ORIENTATION DURING INSTALLATION.
  - FLOOR MOUNTING (ANCHOR) BOLTS ARE NOT FURNISHED.
  - INSTALLATION ANCHOR BOLT SIZE AND TYPE ARE TO BE DETERMINED BY USER IN ACCORDANCE WITH BUILDING CODES APPLICABLE TO THE ARRANGEMENT DESCRIBED ON THIS DRAWING.
  - REFERENCE INSTALLATION MANUAL RS02044 FOR: CONNECTOR TORQUE VALUES, MODULE TO MODULE CONNECTIONS & FACEPLATE MOUNTING DETAILS.
  - CONNECTORS AND CABLES ARE SIZED TO THE 15 MIN RATE TO 1.67 VDC AT 511.5 AMPS. CONNECTORS RESULT IN <math><30\text{mV}</math> DROP AND CABLES RESULT IN <math><100\text{mV}</math> DROP.

UNLESS OTHERWISE SPECIFIED DIMENSIONS ARE IN INCHES. TOLERANCES ARE:	DRAWN D. STOCK	DATE 8/4/10	<p>1400 UNION MEETING, BLUE BELL, PA 19422-0588 www.cadtechno.com</p>				
VISIBLE DIMENSIONS ARE:	CHECKER	DATE 8/16/10					
THIRD ANGLE PROJECTION	APPROVED	DATE 8/24/10	TITLE CONNECTION DIAGRAM 480V 6X8 AT-09P				
SCALE NTS	SHEET 1 OF 1	12/2000	<table border="1"> <tr> <td>SIZE D</td> <td>ONE CODE</td> <td>DRAWING NUMBER E0968240CE01</td> <td>REVISION 0</td> </tr> </table>	SIZE D	ONE CODE	DRAWING NUMBER E0968240CE01	REVISION 0
SIZE D	ONE CODE	DRAWING NUMBER E0968240CE01	REVISION 0				