

NOTICE: THIS DRAWING AND THE INFORMATION DISCLOSED ON IT ARE CONFIDENTIAL AND PROPRIETARY TO OGD TECHNOLOGIES, INC. AND MAY NOT BE DUPLICATED, REPRODUCED, USED OR DISCLOSED BY OR TO ANY PERSON OR PARTY OUTSIDE OF THE COMPANY IN ANY WAY WITHOUT THE WRITTEN PERMISSION OF A DULY AUTHORIZED EMPLOYEE OF THE COMPANY. Copyright © 2004

ECN#12765

REVISION HISTORY						
ZONE	REV	DESCRIPTION	ED#	REV'D	CHK'D	DATE

### 384 VOLT SYSTEM (192) AT-09P CELLS

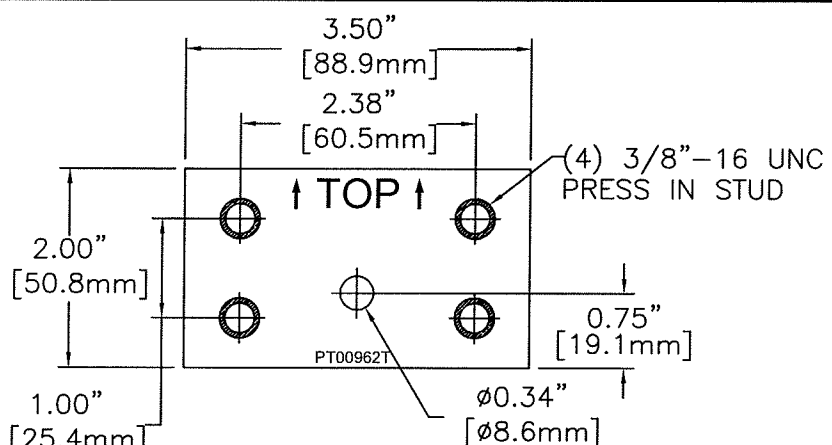
APPROX. SYSTEM WEIGHT: 17,205 LBS. [7,804.1 kg]  
FLOOR CONTACT AREA: 297.0 SQ. IN. [191,612 mm<sup>2</sup>]



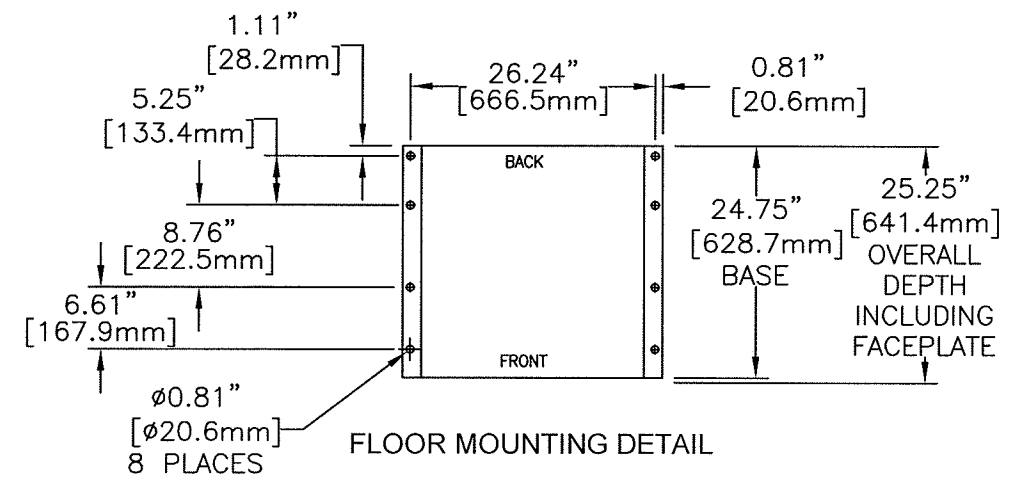
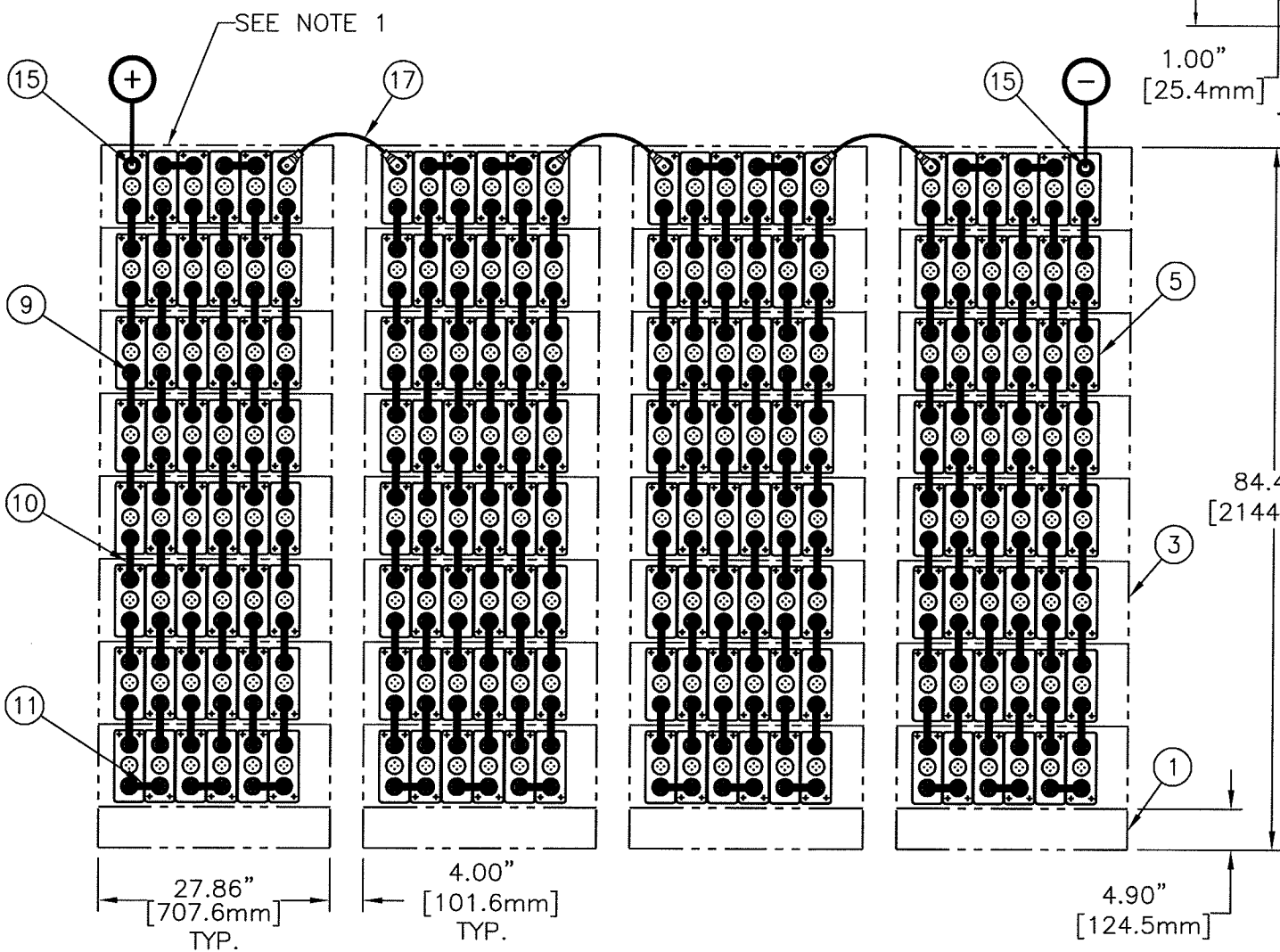
SYSTEM NO. E0968192CE01

20	1	RE04455-240	ACCESSORY KIT (J29537)
19			
18			
17	3	RA02250-18	4/0 CABLE 18" LONG
16			
15	2	PT00962T	TERMINAL PLATE (M15923)
14			
13			
12			
11	20	PK04258T	CONNECTOR 1.00 x 4.84 x 0.12
10	168	PK04225T	CONNECTOR 1.00 x 5.94 x 0.12
9	16	HDWR-R11	HARDWARE KIT, CONNECTOR
9.1	384	PB00327	BOLT, HEX 5/16-18 x 1.25 S.S
9.2	384	PH01700	WASHER, FLAT S.S.
8	32	PH04006-27	FACEPLATE (K11056)
7	36	HDWR-R13	HARDWARE KIT, FACEPLATE (J29535)
5	192	CW18224	CELL (N03375)
3	32	RD04496P-27B	MODULE ASSEMBLY KIT (M14111)
1	4	RD04407-27A	BASE ASSEMBLY KIT (M14028)

UNLESS OTHERWISE SPECIFIED DIMENSIONS ARE IN INCHES & TOLERANCES ARE:		DATE: 8/4/10	<p>1400 UNION MEETING, BLUE BELL, PA 19422-0588 www.odgtechno.com</p>
FINISH	XX	XX	
DRAWN	D. STOCK	CHECKED	<p>CONNECTION DIAGRAM 384V 6X8 AT-09P</p>
APPROVED	[Signature]	APPROVED	
THIRD ANGLE PROJECTION			<p>SCALE: NTS</p> <p>SHEET 1 OF 1</p>



TERMINAL PLATE DETAIL  
PART NO. PT00962T



FLOOR MOUNTING DETAIL

- NOTES:
- LOCATE POLARITY OF BATTERIES FOR PROPER ORIENTATION DURING INSTALLATION.
  - FLOOR MOUNTING (ANCHOR) BOLTS ARE NOT FURNISHED.
  - INSTALLATION ANCHOR BOLT SIZE AND TYPE ARE TO BE DETERMINED BY USER IN ACCORDANCE WITH BUILDING CODES APPLICABLE TO THE ARRANGEMENT DESCRIBED ON THIS DRAWING.
  - REFERENCE INSTALLATION MANUAL RS02044 FOR: CONNECTOR TORQUE VALUES, MODULE TO MODULE CONNECTIONS & FACEPLATE MOUNTING DETAILS.
  - CONNECTORS AND CABLES ARE SIZED TO THE 15 MIN RATE TO 1.67 VDC AT 511.5 AMPS. CONNECTORS RESULT IN <30mV DROP AND CABLES RESULT IN <100mV DROP.

8 7 6 5 4 3 2 1

8 7 6 5 4 3 2 1