

NOTICE: THIS DRAWING AND THE INFORMATION DISCLOSED ON IT ARE CONFIDENTIAL AND PROPRIETARY TO CAD TECHNOLOGIES, INC. AND MAY NOT BE DUPLICATED, REPRODUCED, USED OR DISCLOSED BY OR TO ANY PERSON OR ENTITY OUTSIDE OF THE COMPANY IN ANY MANNER WITHOUT THE WRITTEN PERMISSION OF A DULY AUTHORIZED EMPLOYEE OF THE COMPANY. Copyright © 2004

ECN#12751

REVISION HISTORY						
ZONE	REV	DESCRIPTION	ECN#	REV'D	CHK'D	DATE

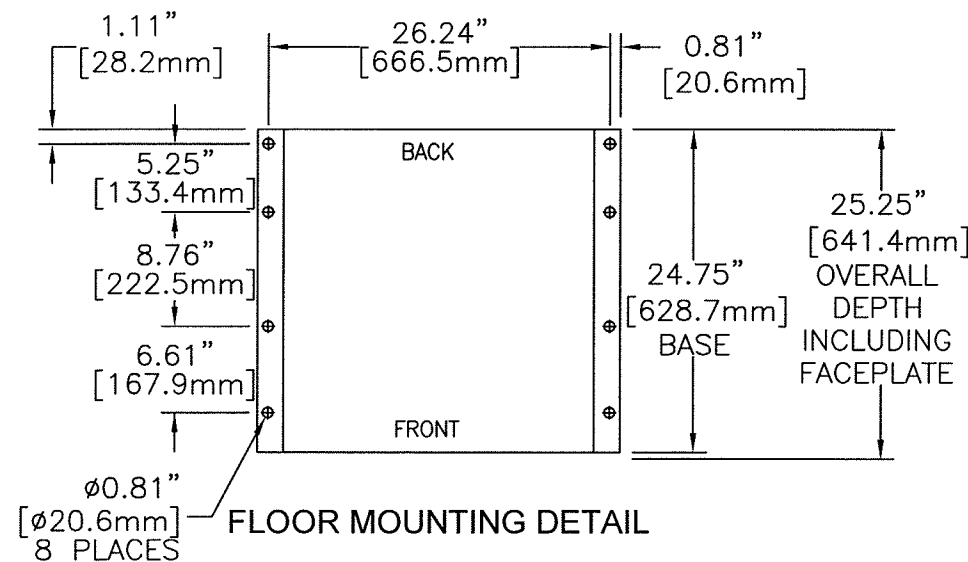
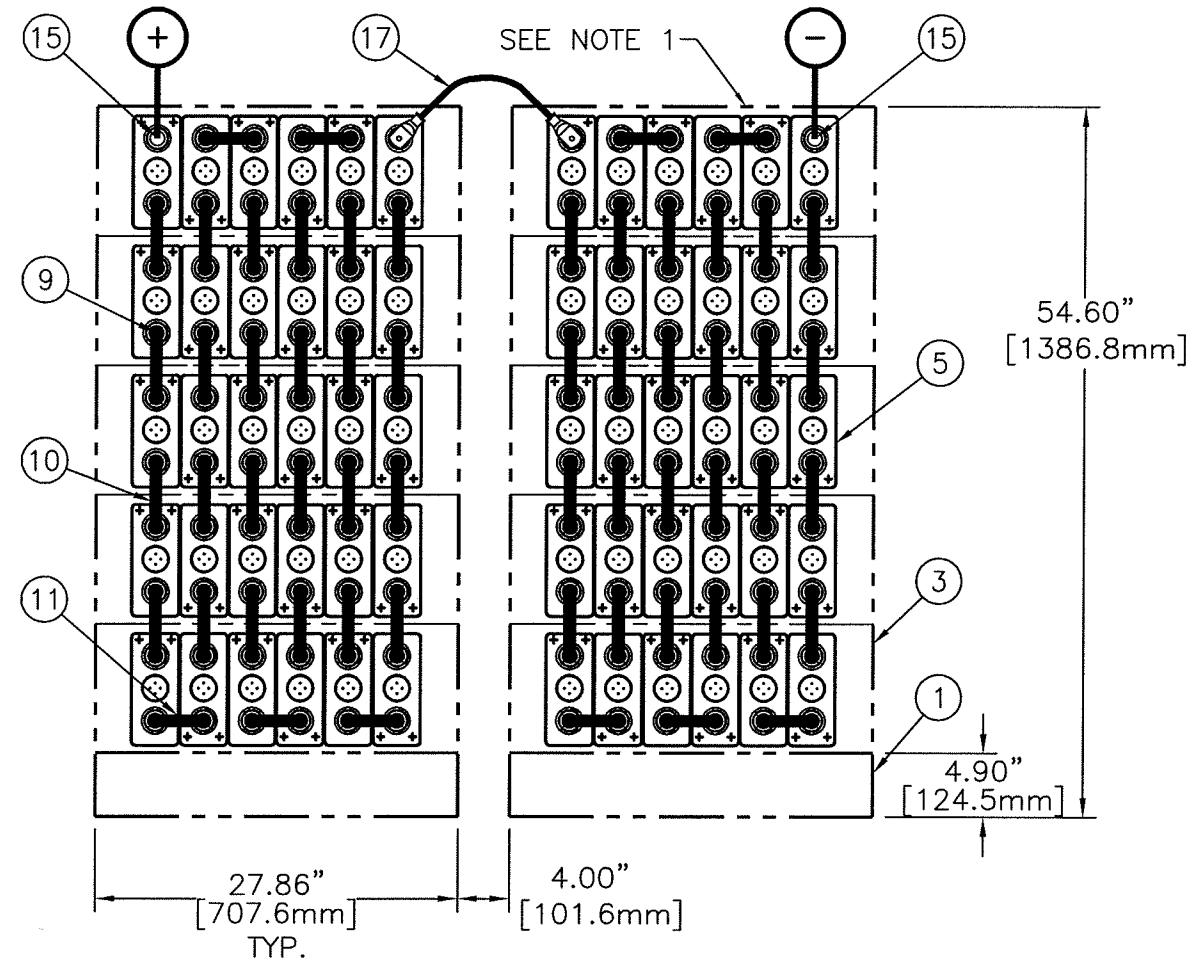
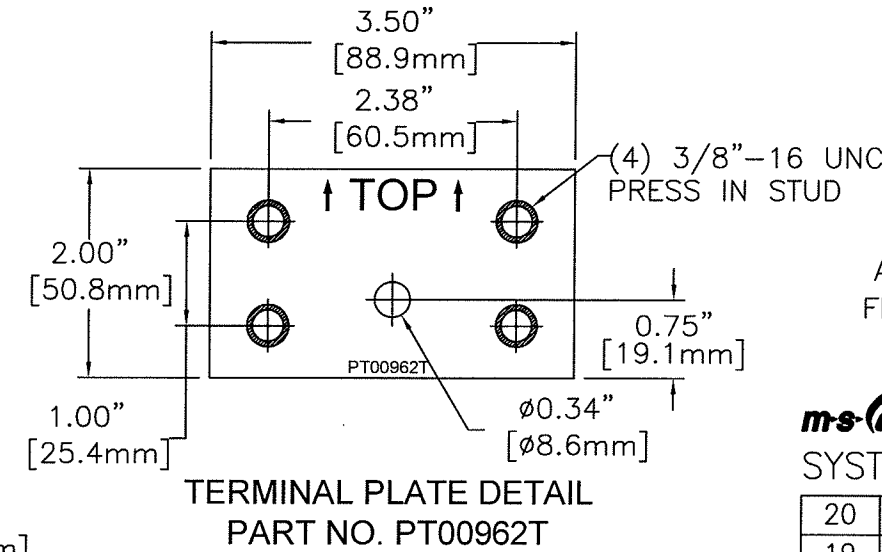
## 120/125 VOLT SYSTEM (60) AT-09P CELLS

APPROX. SYSTEM WEIGHT: 5,425 LBS. [2,460.7 kg]  
FLOOR CONTACT AREA: 148.5 SQ. IN. [95,806 mm<sup>2</sup>]



SYSTEM NO. E0965060CE01

20	1	RE04455-60	ACCESSORY KIT (J29537)
19			
18			
17	1	RA02250-18	4/0 CABLE 18" LONG
16			
15	2	PT00962T	TERMINAL PLATE (M15923)
14			
13			
12			
11	10	PK04258T	CONNECTOR 1.00 x 4.84 x 0.12
10	48	PK04225T	CONNECTOR 1.00 x 5.94 x 0.12
9	5	HDWR-R11	HARDWARE KIT, CONNECTOR
9.1	120	PB00327	BOLT, HEX 5/16-18 x 1.25 S.S.
9.2	120	PH01700	WASHER, FLAT S.S.
8	10	PH04006-27	FACEPLATE (K11056)
7	12	HDWR-R13	HARDWARE KIT, FACEPLATE (J29535)
5	60	CW18224	CELL (N03375)
3	10	RD04496-27B	MODULE ASSEMBLY KIT (M14111)
1	2	RD04407-27A	BASE ASSEMBLY KIT (M14028)
ITEM	QTY	PART NO.	DESCRIPTION



**NOTES:**

1. LOCATE POLARITY OF BATTERIES FOR PROPER ORIENTATION DURING INSTALLATION.
2. FLOOR MOUNTING (ANCHOR) BOLTS ARE NOT FURNISHED.
3. INSTALLATION ANCHOR BOLT SIZE AND TYPE ARE TO BE DETERMINED BY USER IN ACCORDANCE WITH BUILDING CODES APPLICABLE TO THE ARRANGEMENT DESCRIBED ON THIS DRAWING.
4. REFERENCE INSTALLATION MANUAL RSO2044 FOR: CONNECTOR TORQUE VALUES, MODULE TO MODULE CONNECTIONS & FACEPLATE MOUNTING DETAILS.
5. CONNECTORS AND CABLES ARE SIZED TO THE 1 MIN RATE TO 1.75 VDC AT 529.7 AMPS. CONNECTORS RESULT IN <30mV DROP AND CABLES RESULT IN <100mV DROP.

UNLESS OTHERWISE SPECIFIED DIMENSIONS ARE IN INCHES. TOLERANCES ON:				DRAWN		DATE		ALL SHEETS ARE THE SAME REVISION STATUS	
				D. STOCK	7/19/10				
				CHECKED	7/23/10			1400 UNION MEETING, BLUE BELL, PA 19422-0588 www.cadtechno.com	
				APPROVED	7/30/10			TITLE CONNECTION DIAGRAM 120/125V 6X5 AT-09P	
								SIZE	DWG CODE
								D	E0965060CE01
								REVISION	0
								FILE: E0965060CED1	SCALE NTS
								SHEET 1	OF 1