

NOTICE: THIS DRAWING AND THE INFORMATION DISCLOSED ON IT ARE CONFIDENTIAL AND PROPRIETARY TO CAD TECHNOLOGIES, INC. AND MAY NOT BE REPRODUCED, COPIED, OR DISCLOSED BY OR TO ANY PERSON OR ENTITY OUTSIDE OF THE COMPANY IN ANY WAY WITHOUT THE WRITTEN PERMISSION OF A DULY AUTHORIZED EMPLOYEE OF THE COMPANY. Copyright © 2001

ECH#13056

REVISION HISTORY						
ZONE	REV	DESCRIPTION	ECH#	REV'D	CHK'D	DATE
	1	PER CUSTOMER REQUEST CHANGED FROM PT00962T TO PT00930T	13148	DCS	QH	2/1/12

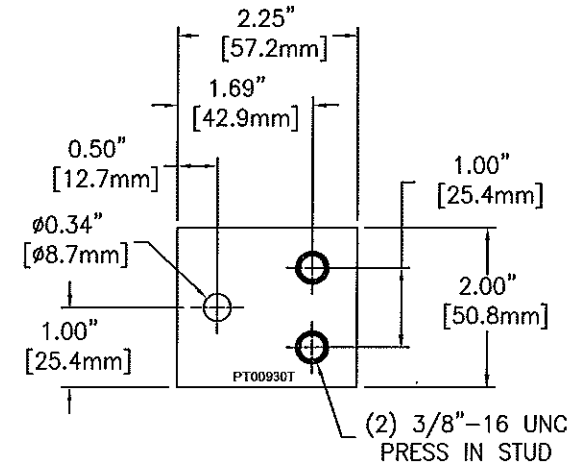
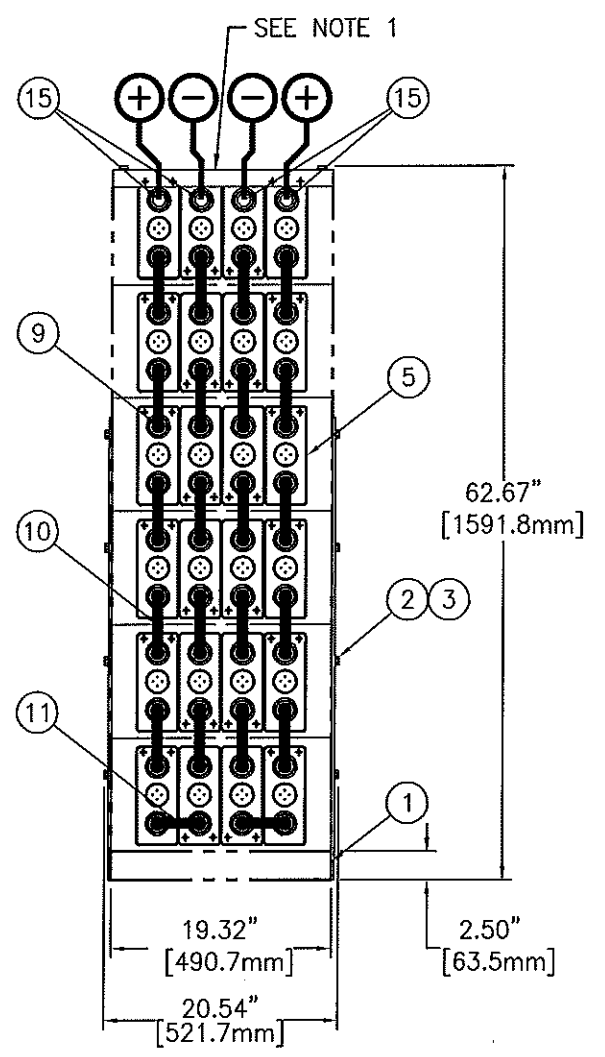
## (2) 24 VOLT SYSTEM (2) x (12) AT-09P CELLS

APPROX. SYSTEM WEIGHT: 2,265 LBS [1,027.4 kg]  
FLOOR CONTACT AREA: 171.3 SQ. IN. [110,516 mm<sup>2</sup>]

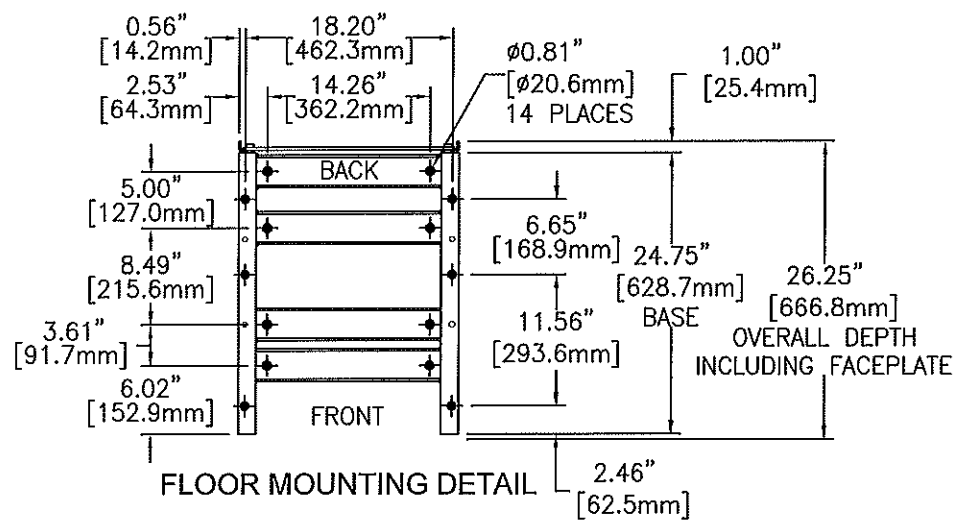


SYSTEM NO. E0946024ZN02

20	2	RE04454	ACCESSORY KIT (J29536)
19			
18			
17			
16			
15	4	PT00930T	TERMINAL PLATE (M15923)
14			
13			
12			
11	2	PK04258T	CONNECTOR 1.00 x 4.84 x 0.12
10	20	PK04225T	CONNECTOR 1.00 x 5.94 x 0.12
9	2	HDWR-R11	HARDWARE KIT, CONNECTOR
9.1	48	PB00327	BOLT, HEX 5/16-18 x 1.25 S.S.
9.2	48	PH01700	WASHER, FLAT S.S.
8	6	PH04006-19	FACEPLATE (K11056)
7	7	HDWR-R13	HARDWARE KIT, FACEPLATE (J29535)
5	24	CW18224	CELL (N03375)
3	6	RD04496-19B	MODULE ASSEMBLY KIT (M14111)
2	1	RE04487-19	NEBS 4 KIT (M14050)
1	1	RD04429-19A	BASE ASSEMBLY KIT (M14047)
ITEM	QTY	PART NO.	DESCRIPTION



TERMINAL PLATE DETAIL  
PART NO. PT00930T



FLOOR MOUNTING DETAIL

- NOTES:
- LOCATE POLARITY OF BATTERIES FOR PROPER ORIENTATION DURING INSTALLATION.
  - FLOOR MOUNTING (ANCHOR) BOLTS ARE NOT FURNISHED. ALL (14) ANCHORS MUST BE USED TO ACHIEVE NEBS 4 RATING.
  - INSTALLATION ANCHOR BOLT SIZE AND TYPE ARE TO BE DETERMINED BY USER IN ACCORDANCE WITH BUILDING CODES APPLICABLE TO THE ARRANGEMENT DESCRIBED ON THIS DRAWING.
  - REFERENCE INSTALLATION MANUAL RS02044 FOR: CONNECTOR TORQUE VALUES, MODULE TO MODULE CONNECTIONS & FACEPLATE MOUNTING DETAILS.
  - CONNECTORS ARE SIZED TO LESS THAN 30mV DROP AT 170.2 AMPS. (2 HOUR RATE TO 1.75 FINAL VPC).

<small>PLEASE REFER TO SPECIFIED DIMENSIONS AND TOLERANCES ON DRAWING</small> D. STOCK Y. HODGES P. RALSTON		DATE 9/19/11 9/22/11 9/23/11	<b>CAD TECHNOLOGIES, INC.</b> 1400 UNION MEETING, BLUE BELL, PA 19422-0588 www.cadtechno.com
<small>SEE BOM ABOVE</small>		FILE: E0946024ZN02	
PER: SPEC:		SCALE NTS	SHEET 1 OF 1

CONNECTION DIAGRAM  
(2) 24V 4X6 AT-09P NEBS 4

E0946024ZN02 1