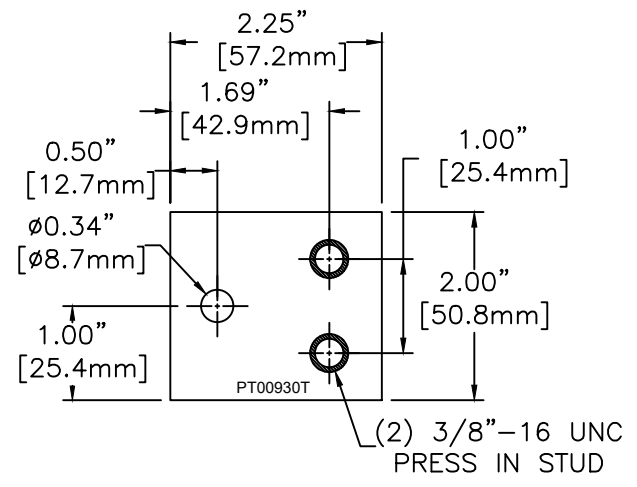
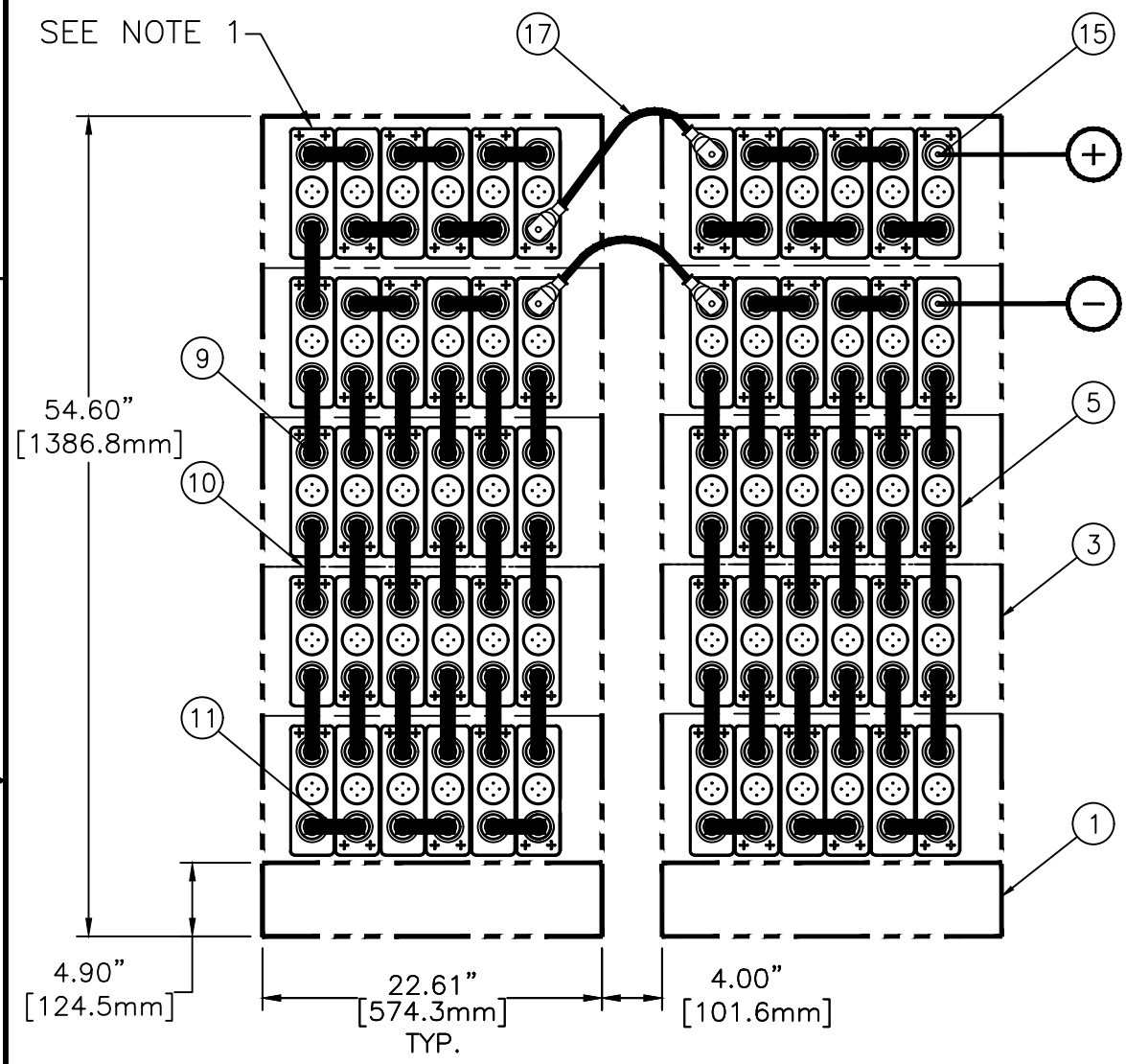


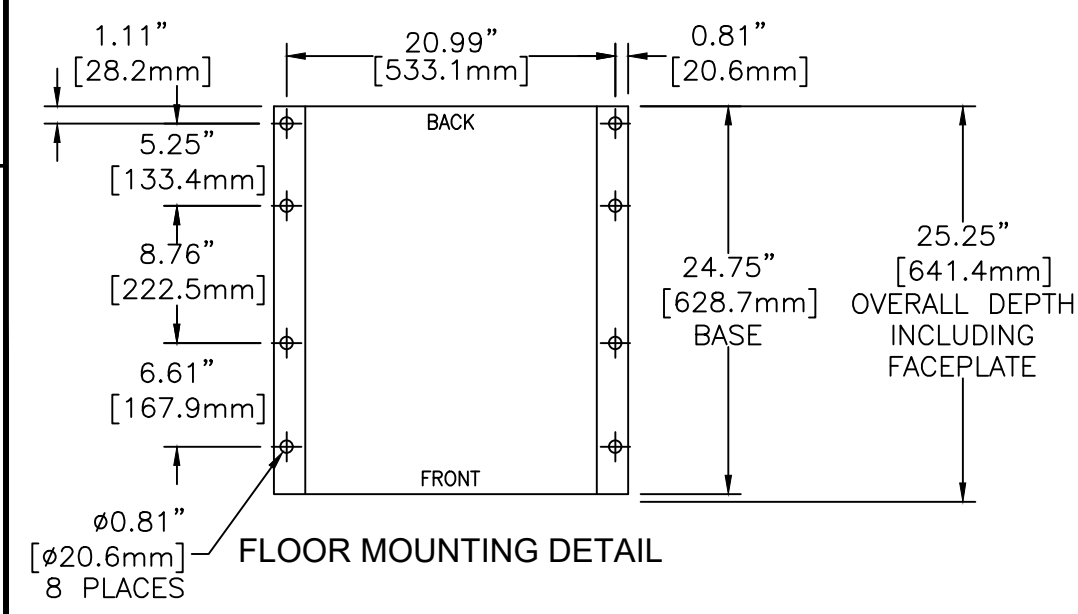
NOTICE: THIS DRAWING AND THE INFORMATION DISCLOSED ON IT ARE CONFIDENTIAL AND PROPRIETARY TO C&D TECHNOLOGIES, INC. AND MAY NOT BE DUPLICATED, REPRODUCED, USED OR DISCLOSED BY OR TO ANY PERSON OR PARTY OUTSIDE OF THE COMPANY IN ANY WAY WITHOUT THE WRITTEN PERMISSION OF A DULY AUTHORIZED EMPLOYEE OF THE COMPANY. Copyright © 2004

REVISION HISTORY						
ZONE	REV	DESCRIPTION	ECN#	REV'D	CHK'D	DATE



TERMINAL PLATE DETAIL
PART NO. PT00930T

PRELIMINARY



FLOOR MOUNTING DETAIL
8 PLACES

- NOTES:
1. LOCATE POLARITY OF BATTERIES FOR PROPER ORIENTATION DURING INSTALLATION.
 2. FLOOR MOUNTING (ANCHOR) BOLTS ARE NOT FURNISHED.
 3. INSTALLATION ANCHOR BOLT SIZE & TYPE ARE TO BE DETERMINED BY USER IN ACCORDANCE WITH BUILDING CODES APPLICABLE TO THE ARRANGEMENT DESCRIBED ON THIS DRAWING.
 4. REFERENCE INSTALLATION MANUAL RS02044 FOR: CONNECTOR TORQUE VALUES, MODULE TO MODULE CONNECTIONS & FACEPLATE MOUNTING DETAILS.
 5. CONNECTORS AND CABLES ARE SIZED TO THE 1 MIN RATE TO 1.75 VDC AT 396.6 AMPS. CONNECTORS RESULT IN <30mV DROP AND CABLES RESULT IN <100mV DROP.
 6. C&D RECOMMENDS USING OPTIONAL SIDE TERMINATION ASSEMBLIES PT00908-1-1 (QTY 2) REF. DWG. M14115. MUST BE ORDERED AS SEPARATE ITEM.

**120/125 VOLT SYSTEM
(60) AT-07P CELLS**

APPROX. SYSTEM WEIGHT: 4,315 LBS [1,957.3 kg]
FLOOR CONTACT AREA: 148.5 SQ. IN. [95,806 mm²]



SYSTEM NO. E0765060SE03

ITEM	QTY	PART NO.	DESCRIPTION
20	1	RE04455-60	ACCESSORY KIT (J29537)
19			
18			
17	2	RA02250-18	4/O CABLE 18" LONG
16			
15	2	PT00930T	TERMINAL PLATE (M15923)
14			
13			
12			
11	20	PK04257T	CONNECTOR 1.00 X 4.11 X 0.12
10	37	PK04225T	CONNECTOR 1.00 X 5.94 X 0.12
9	5	HDWR-R11	HARDWARE KIT, CONNECTOR
9.1	120	PB00327	BOLT, HEX 5/16-18 x 1.25 S.S.
9.2	120	PH01700	WASHER, FLAT S.S.
8	10	PH04006-22	FACEPLATE (K11056)
7	12	HDWR-R13	HARDWARE KIT, FACEPLATE (J29535)
5	60	CW18223	CELL (N03375)
3	10	RD04496-22A	MODULE ASSEMBLY KIT (M14111)
1	2	RD04407-22A	BASE ASSEMBLY KIT (M14028)

UNLESS OTHERWISE SPECIFIED DIMENSIONS ARE IN INCHES. TOLERANCES ON:		DATE	ALL SHEETS ARE THE SAME REVISION STATUS	
X	XX	10/15/20	C&D TECHNOLOGIES, INC.	
ANGLES			1400 UNION MEETING, BLUE BELL, PA 19422-0588	
THIRD ANGLE PROJECTION	APPROVED		www.cdtechno.com	
MATERIAL	APPROVED		TITLE	
			CONNECTION DIAGRAM	
			120/125V 6X5 AT-07P	
			SIZE	DRAWING NUMBER
			D	E0765060SE03
			SCALE NTS	SHEET 1 OF 1
			FILE: E0765060SE03	