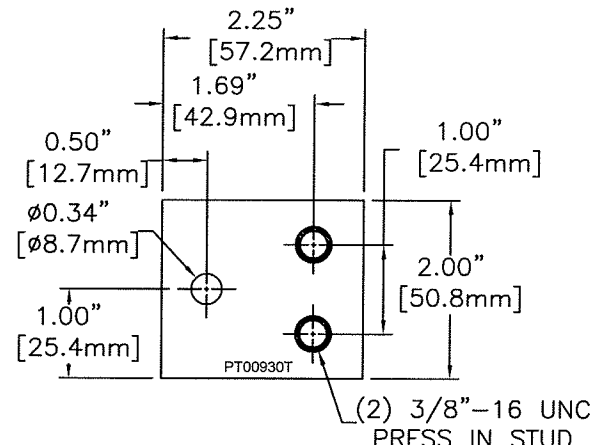
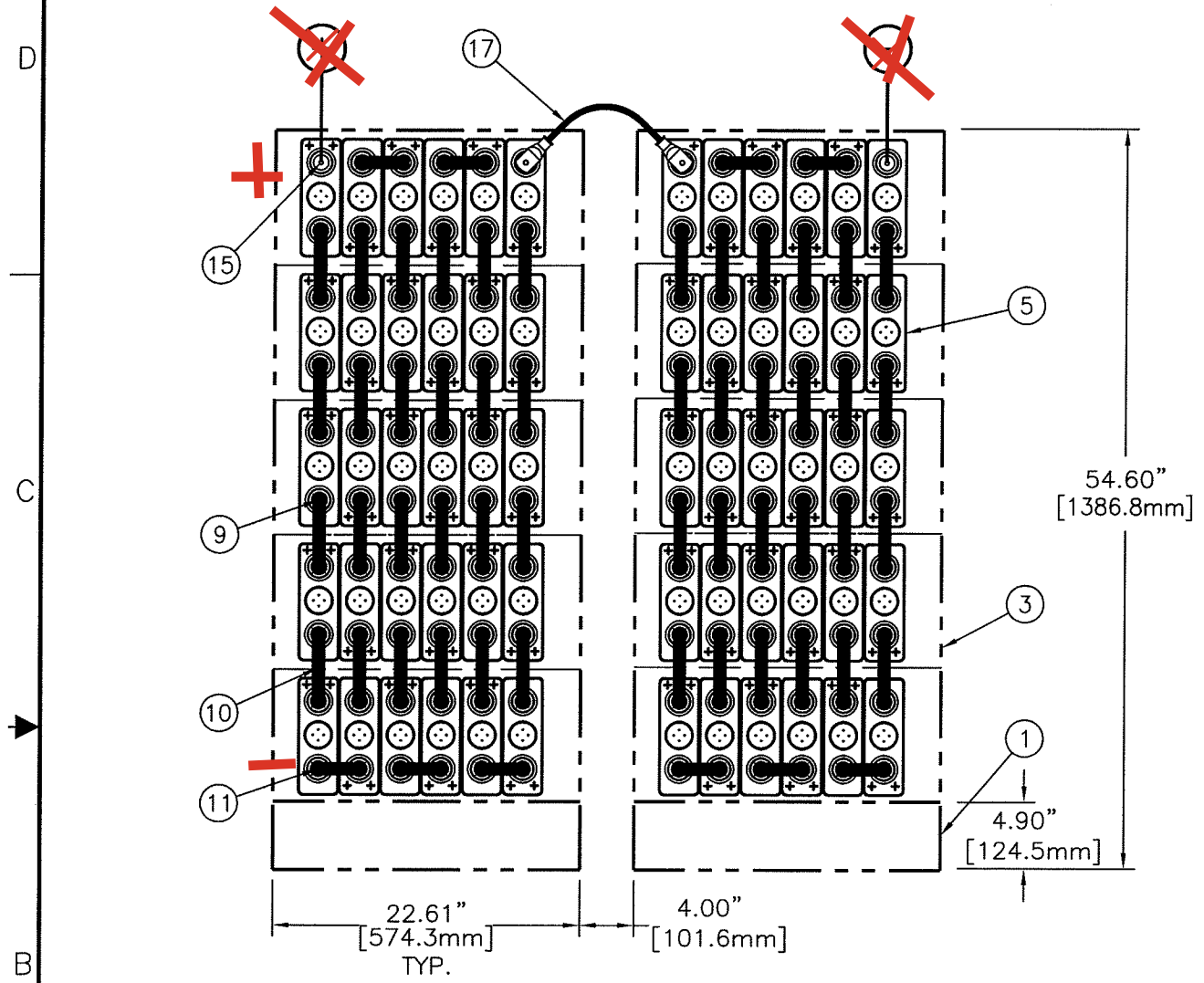


NOTICE: THIS DRAWING AND THE INFORMATION DISCLOSED ON IT ARE CONFIDENTIAL AND PROPRIETARY TO C&D TECHNOLOGIES, INC. AND MAY NOT BE DUPLICATED, REPRODUCED, USED OR DISCLOSED BY OR TO ANY PERSON OR PARTY OUTSIDE OF THE COMPANY IN ANY WAY WITHOUT THE WRITTEN PERMISSION OF A DUTY AUTHORIZED EMPLOYEE OF THE COMPANY. Copyright © 2004

ECN#12748

REVISION HISTORY							
ZONE	REV	DESCRIPTION	ECN#	REV'D	CHK'D	DATE	APPROVED



TERMINAL PLATE DETAIL
PART NO. PT00930T

USE ONLY FOR REPRESENTATION OF
TERMINAL LOCATION AND DIMENSIONS

This drawing is marked up to represent
C&D E0765060KE01 with terminal locations:
Positive Top Side Right
Negative Bottom Side Right

The Bus Bar Configuration is Not Correct for
the Terminal Location

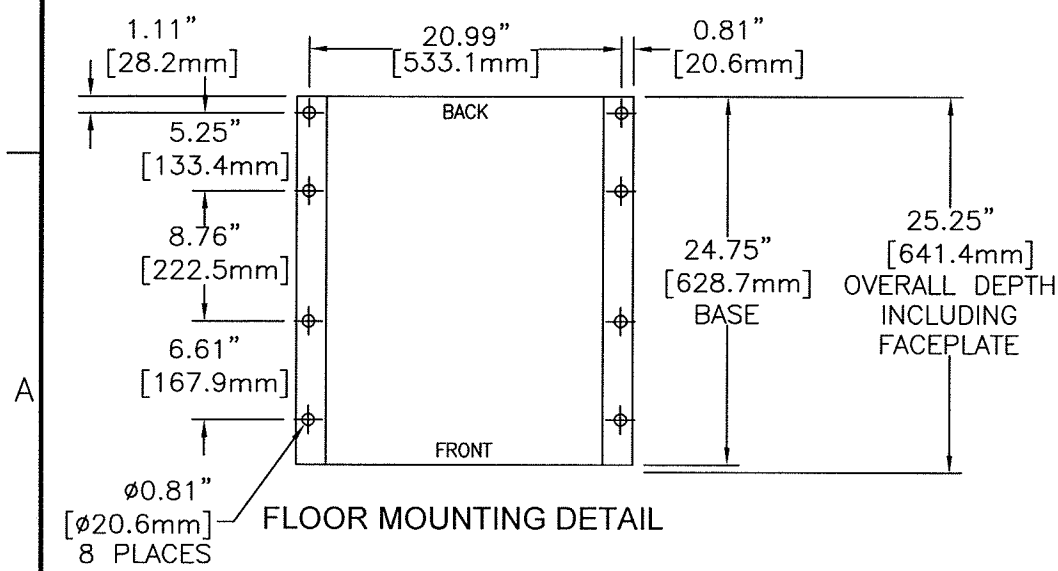
**120 VOLT SYSTEM
(60) AT-07P CELLS**

APPROX. SYSTEM WEIGHT: 4,315 LBS [1,957.3 kg]
FLOOR CONTACT AREA: 148.5 SQ. IN. [95,806 mm²]



SYSTEM NO. E0765060CE01

ITEM	QTY	PART NO.	DESCRIPTION
20	1	RE04455-60	ACCESSORY KIT (J29537)
19			
18			
17	1	RA02250-18	4/0 CABLE 18" LONG
16			
15	2	PT00930T	TERMINAL PLATE (M15923)
14			
13			
12			
11	10	PK04257T	CONNECTOR 1.00 X 4.11 X 0.12
10	48	PK04225T	CONNECTOR 1.00 X 5.94 X 0.12
9	5	HDWR-R11	HARDWARE KIT, CONNECTOR
9.1	120	PB00327	BOLT, HEX 5/16-18 x 1.25 S.S.
9.2	120	PH01700	WASHER, FLAT S.S.
8	10	PH04006-22	FACEPLATE (K11056)
7	12	HDWR-R13	HARDWARE KIT, FACEPLATE (J29535)
5	60	CW18223	CELL (N03375)
3	10	RDO4496-22A	MODULE ASSEMBLY KIT (M14111)
1	2	RDO4407-22A	BASE ASSEMBLY KIT (M14028)



- NOTES:
- LOCATE POLARITY OF BATTERIES FOR PROPER ORIENTATION DURING INSTALLATION.
 - FLOOR MOUNTING (ANCHOR) BOLTS ARE NOT FURNISHED.
 - INSTALLATION ANCHOR BOLT SIZE & TYPE ARE TO BE DETERMINED BY USER IN ACCORDANCE WITH BUILDING CODES APPLICABLE TO THE ARRANGEMENT DESCRIBED ON THIS DRAWING.
 - REFERENCE INSTALLATION MANUAL RS02044 FOR: CONNECTOR TORQUE VALUES, MODULE TO MODULE CONNECTIONS & FACEPLATE MOUNTING DETAILS.
 - CONNECTORS AND CABLES ARE SIZED TO THE 1 MIN RATE TO 1.75 VDC AT 396.6 AMPS. CONNECTORS RESULT IN <30mV DROP AND CABLES RESULT IN <100mV DROP.

UNLESS OTHERWISE SPECIFIED DIMENSIONS ARE IN INCHES & TOLERANCES ON FINISHES	DRAWN D. STOCK	DATE 7/13/10	<p>1400 UNION MEETING, BLUE BELL, PA 19422-0588 www.cdtechno.com</p>
CHECKED D. H. H. H.	APPROVED D. H. H. H.	TITLE CONNECTION DIAGRAM 120V 6X5 AT-07P	
THIRD ANGLE PROJECTION	MATERIAL	SCALE D	<p>SIZE CASE CODE DRAWING NUMBER REVISION</p> <p>D E0765060KE01 0</p>
FILE: E0765060CE01			<p>ALL SHEETS ARE THE SAME REVISION STATUS</p> <p>SCALE NTS SHEET 1 OF 1</p>