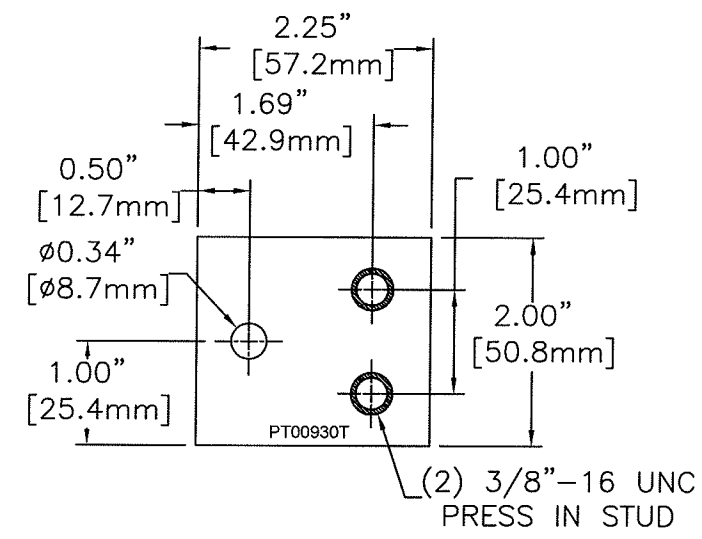
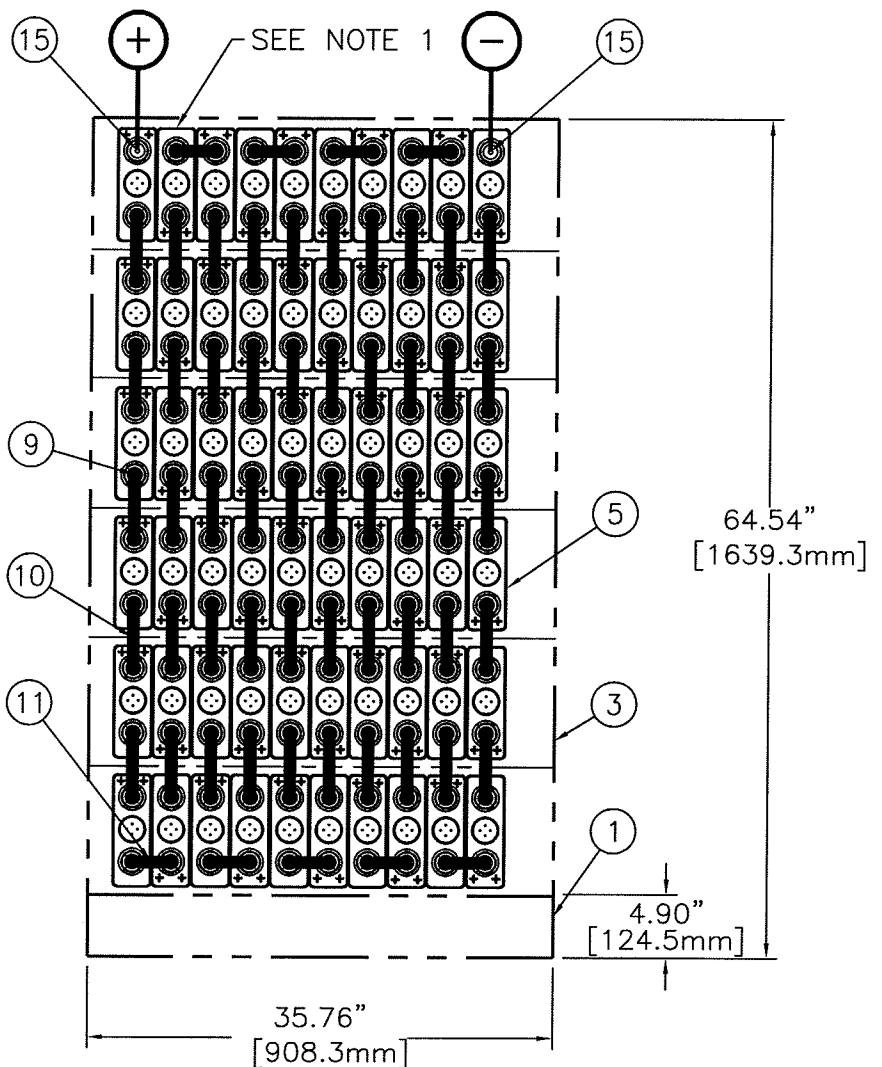


NOTICE: THIS DRAWING AND THE INFORMATION DISCLOSED ON IT ARE CONFIDENTIAL AND PROPRIETARY TO CAD TECHNOLOGIES, INC. AND MAY NOT BE DUPLICATED, REPRODUCED, USED OR DISCLOSED BY OR TO ANY PERSON OR PARTY OUTSIDE OF THE COMPANY IN ANY WAY WITHOUT THE WRITTEN PERMISSION OF A DULY AUTHORIZED EMPLOYEE OF THE COMPANY. Copyright © 2004

REVISION HISTORY						
ZONE	REV	DESCRIPTION	ECN#	REV'D	CHK'D	DATE

ECN#12735



TERMINAL PLATE DETAIL
PART NO. PT00930T

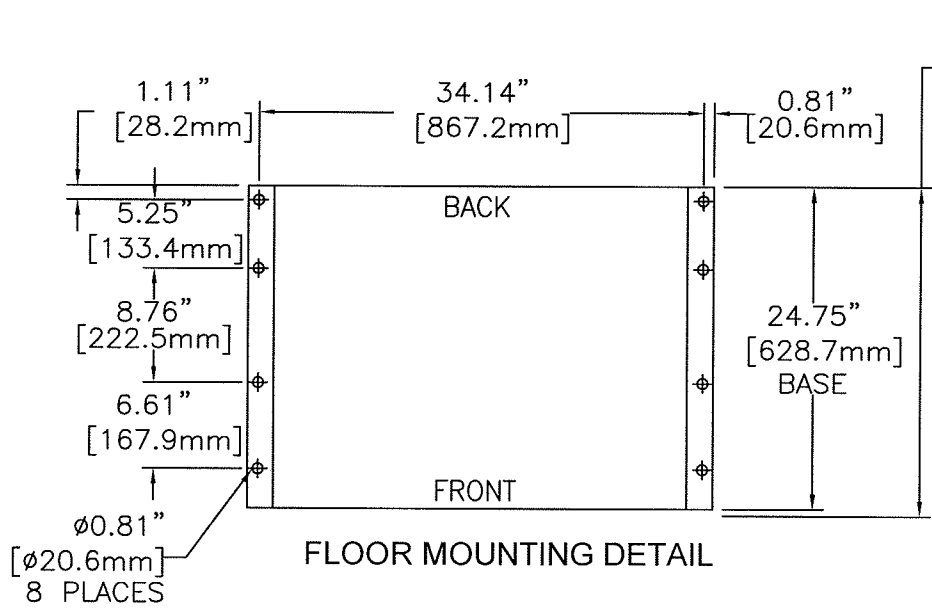
**120/125 VOLT SYSTEM
(60) AT-07P CELLS**

APPROX. SYSTEM WEIGHT: 4,120 LBS. [1,868.8 kg.]
FLOOR CONTACT AREA: 74.25 SQ. IN. [47,903 mm²]



SYSTEM NO. E0706060CE01

20	1	RE04455-60	ACCESSORY KIT (J29537)
19			
18			
17			
16			
15	2	PT00930T	TERMINAL PLATE (M15923)
14			
13			
12			
11	9	PK04257T	CONNECTOR 1.00 X 4.11 X 0.12
10	50	PK04225T	CONNECTOR 1.00 X 5.94 X 0.12
9	5	HDWR-R11	HARDWARE KIT, CONNECTOR
9.1	120	PB00327	BOLT, HEX 5/16-18 x 1.25 S.S
9.2	120	PH01700	WASHER, FLAT S.S.
8	6	PH04006-35	FACEPLATE (K11056)
7	7	HDWR-R13	HARDWARE KIT, FACEPLATE (J29535)
5	60	CW18223	CELL (N03375)
3	6	RD04496-35A	MODULE ASSEMBLY KIT (M14111)
1	1	RD04407-35A	BASE ASSEMBLY KIT (M14028)
ITEM	QTY	PART NO.	DESCRIPTION



25.25" [641.4mm]
OVERALL DEPTH
INCLUDING FACEPLATE

- NOTES:
- LOCATE POLARITY OF BATTERIES FOR PROPER ORIENTATION DURING INSTALLATION.
 - FLOOR MOUNTING (ANCHOR) BOLTS ARE NOT FURNISHED.
 - INSTALLATION ANCHOR BOLT SIZE & TYPE ARE TO BE DETERMINED BY USER IN ACCORDANCE WITH BUILDING CODES APPLICABLE TO THE ARRANGEMENT DESCRIBED ON THIS DRAWING.
 - REFERENCE INSTALLATION MANUAL RS02044 FOR: CONNECTOR TORQUE VALUES, MODULE TO MODULE CONNECTIONS & FACEPLATE MOUNTING DETAILS.
 - CONNECTORS ARE SIZED TO LESS THAN 30mV DROP AT 396.6 AMPS (1 MIN. RATE TO 1.75 VDC).

UNLESS OTHERWISE SPECIFIED DIMENSIONS ARE IN INCHES. TOLERANCES ON DIMENSIONS ARE:	DRAWN BY: HODGES	DATE: 6/25/10	<p>1400 UNION MEETING, BLUE BELL, PA 19422-0588 www.cadtechno.com</p>
APPROVED: [Signature]	DATE: 6/25/10	DATE: 6/25/10	
TITLE: CONNECTION DIAGRAM 120/125V 10X6 AT-07P	SCALE: NTS	SHEET: 1 OF 1	12/2000