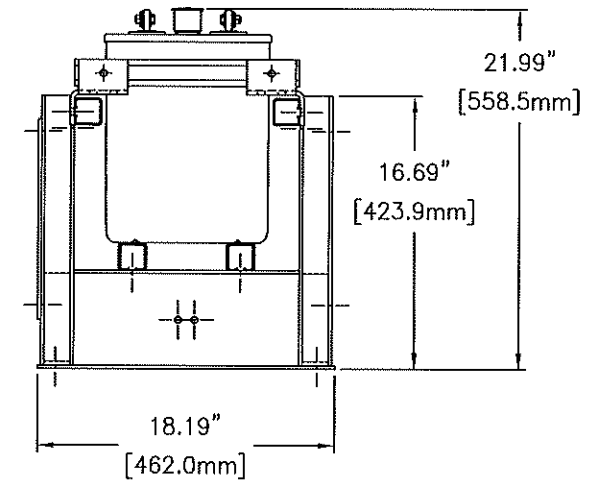
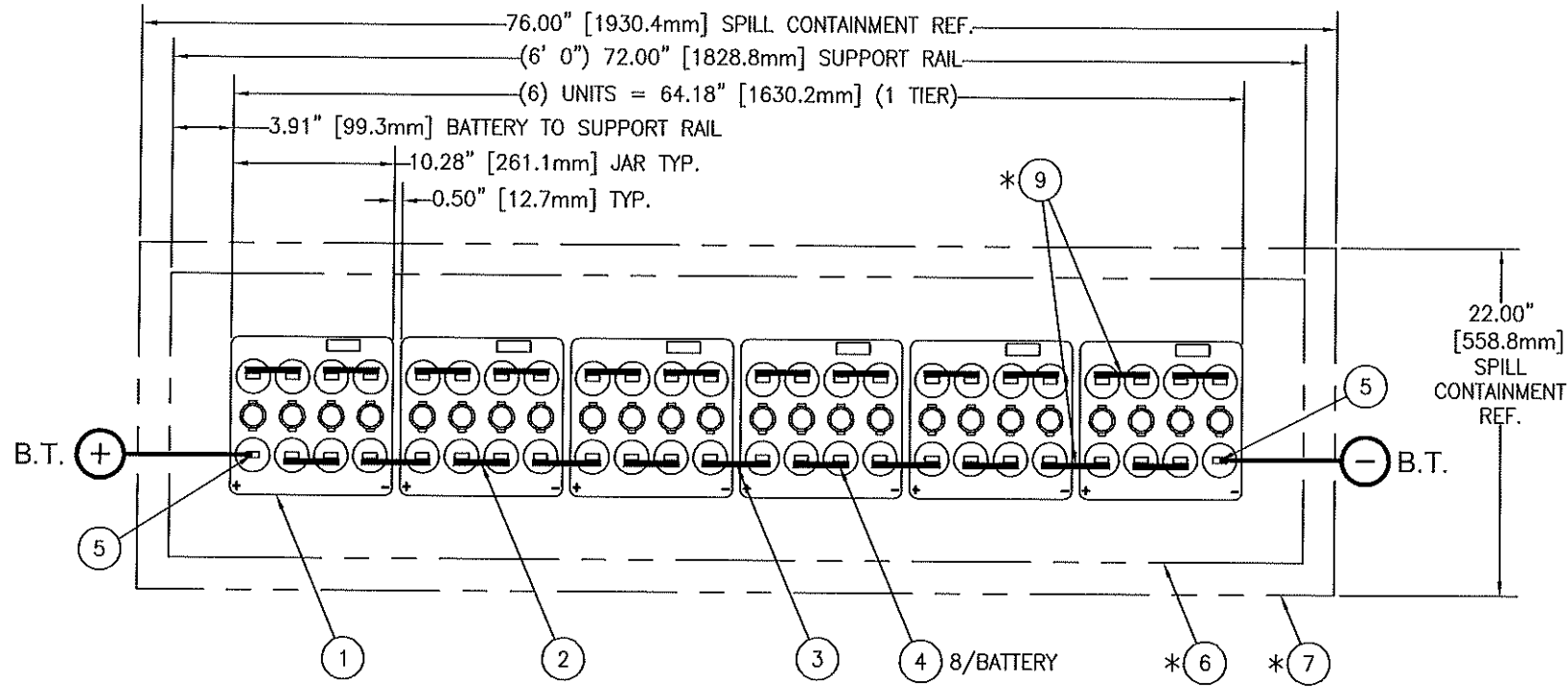


NOTICE: THIS DRAWING AND THE INFORMATION DISCLOSED ARE THE CONFIDENTIAL AND PROPRIETARY TO C&D TECHNOLOGIES, INC. AND MAY NOT BE DUPLICATED, REPRODUCED, USED OR DISCLOSED BY OR TO ANY PERSON OR PARTY OUTSIDE OF THE COMPANY IN ANY WAY WITHOUT THE WRITTEN PERMISSION OF A DULY AUTHORIZED EMPLOYEE OF THE COMPANY. Copyright © 2004

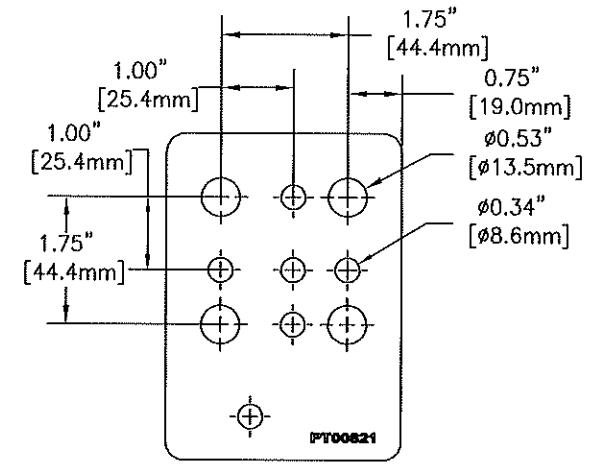
ECN15522

REVISION HISTORY

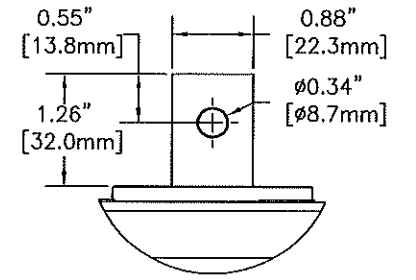
ZONE	REV	DESCRIPTION	ECN#	REV'D	CHK'D	DATE	APPROVED



RACK END VIEW



TERMINAL PLATE DETAIL  
PT00821



POST DETAIL  
(POST IS 0.38\"/>

48 VDC BATTERY SYSTEM			
ITEM	QTY.	PART NO.	DESCRIPTION
1	6	CW18527-S(C)	4JC-05HP/4JCC-05HP BATTERY UNIT (K12023)
	6	CW18528-S(C)	4JC-07HP/4JCC-07HP BATTERY UNIT (K12023)
	6	CW18529-S(C)	4JC-09HP/4JCC-09HP BATTERY UNIT (K12023)
2	18	PK04629	INTER-CELL CONNECTOR (3.59 x 1.00 x 0.12)
3	5	PK04630	INTER-UNIT CONNECTOR (4.41 x 1.00 x 0.12)
4	48	PB00341	BOLT ASSEMBLY SS, EACH CONSISTING OF: (1) PB00340 5/16-18 x 1.00\"/>
5	2	PT00821	TERMINAL PLATE (K10913)
* ADDITIONAL ITEMS			
6	1	RDB0800-06P	RACK ASSEMBLY, 1-TIER NON-SEISMIC (M11413)
	1	RDB0800-06EP1P	RACK ASSEMBLY, 1-TIER EP1 (M11414)
	1	RDB0800-06EP2P	RACK ASSEMBLY, 1-TIER EP2 (M11415)
7	1	SP22076L	SPILL CONTAINMENT WITH LINER
8A	5	RE02458	JAR SPACER, FOR SEISMIC RACKS
8B	5	RE04260	JAR SPACER, FOR SEISMIC RACKS, FLAME RETARDANT
9	2	RD00907-06	CONNECTOR COVER
10	1	PL00511	HYDROMETER HOLDER
11	1	PL00667	HYDROMETER
12	1	PL00645	THERMOMETER 'F, 6\"/>

\* ADDITIONAL ITEMS MUST BE ORDERED SEPARATELY.

- NOTES:
1. ALL DIMENSIONS ARE REFERENCE.
  2. ITEMS 2 THRU 5 ARE SUPPLIED IN ACCESSORY KIT, RE05655-1T.
  3. ADDITIONAL ITEMS IN BILL OF MATERIALS MUST BE ORDERED AS SEPARATE LINE ITEMS.
  4. C&D SEISMIC RACKS REQUIRE JAR SPACERS.
  5. BRACES AND HARDWARE CAN ADD UP TO 1.5\"/>
  6. REGARDING SPILL CONTAINMENT, PART NUMBER REFLECTS OUTSIDE DIMENSIONS OF SPILL CONTAINMENT'S BARRIERS, INSIDE DIMENSIONS ARE -2\"/>

UNLESS OTHERWISE SPECIFIED DIMENSIONS ARE IN INCHES. ± TOLERANCES ARE: DECIMALS: .010 FRACTIONS: 1/32 ANGLES: .005	DRAWN C. ELLIS	DATE 2/27/19
CHECKED C. PEZZA	3/28/19	
APPROVED <i>C. Pezza</i>	7/20/19	
THIRD ANGLE PROJECTION		
MATERIAL		
PER:	SPEC:	FILE: RE05655-1T

ALL SHEETS ARE THE SAME REVISION STATUS			
<b>C&amp;D TECHNOLOGIES, INC.</b>			
1400 UNION MEETING ROAD, BLUE BELL, PA 19422-0858 www.cdtechno.com			
TITLE BATTERY ARRANGEMENT - 48 VDC 1-TIER RACK, (6) 4JC-HP/4JCC-HP UNITS			
SIZE C	CAGE CODE	DRAWING NUMBER RE05655-1T	REVISION 0
SCALE N.T.S.		SHEET 1 OF 1	